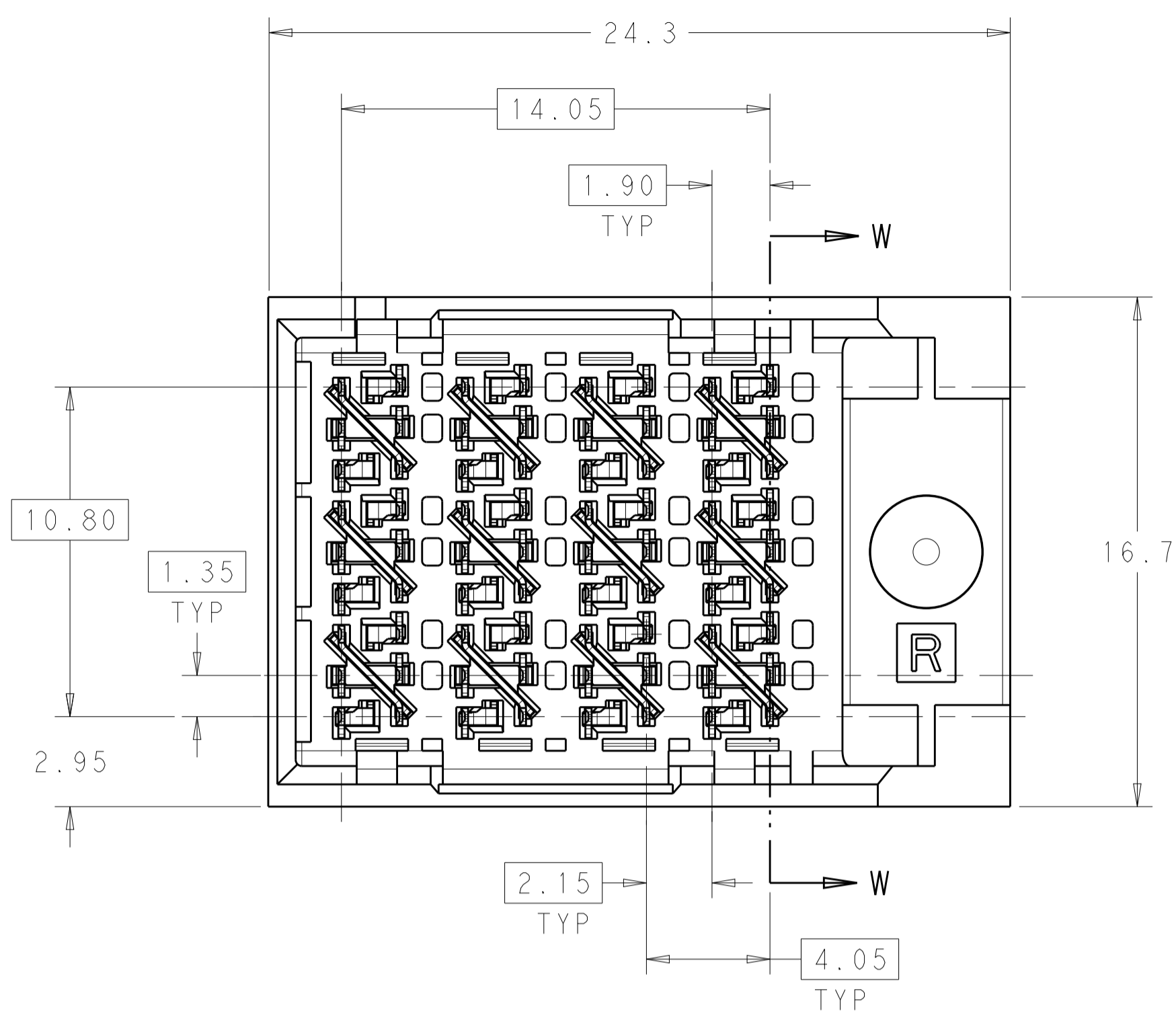
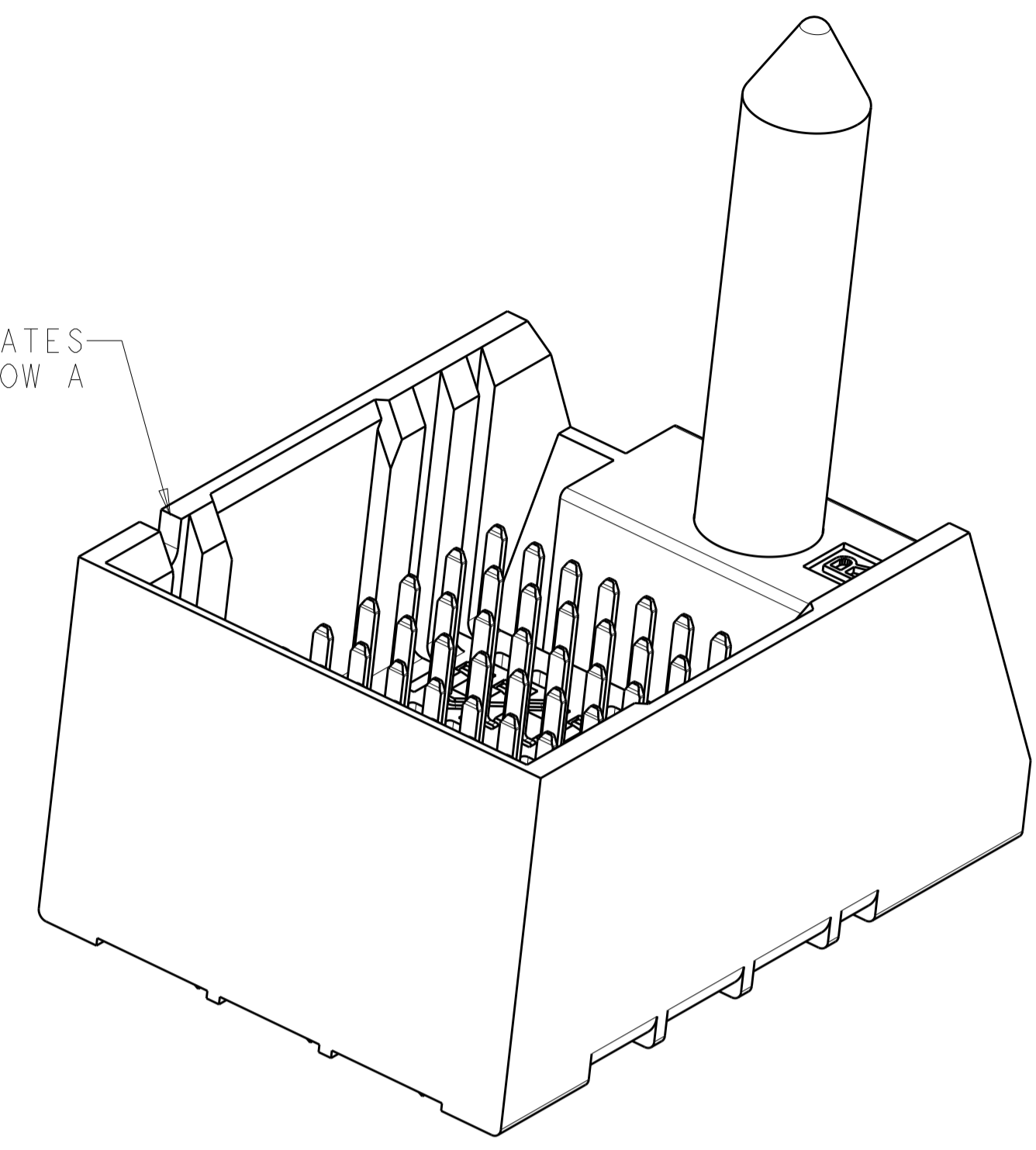


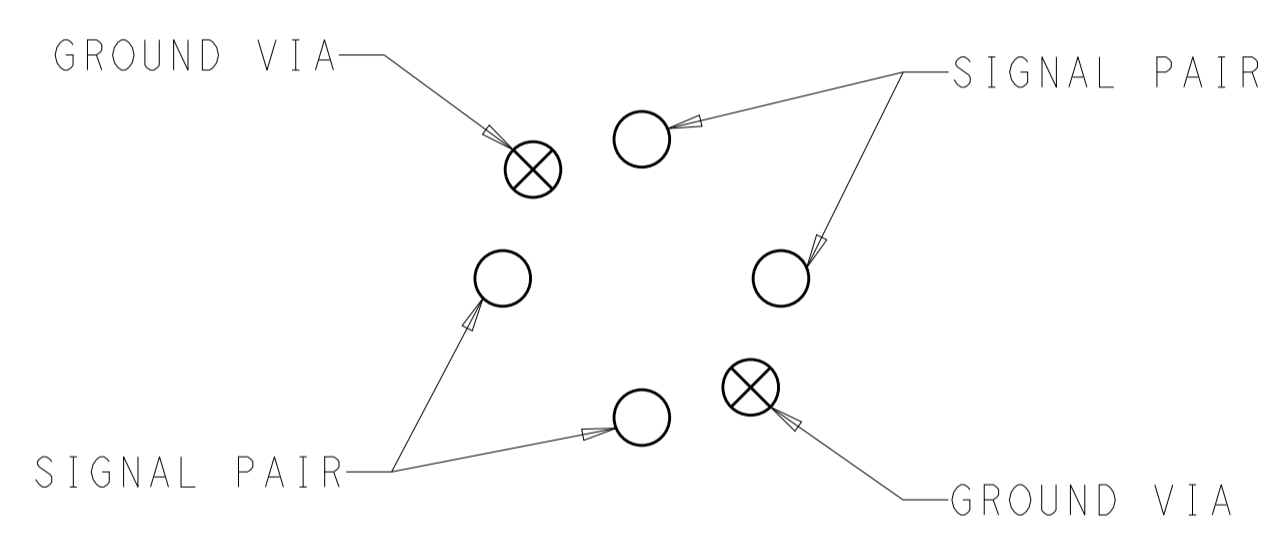
LOC		DIST		REVISIONS			
AD	00	P	LTN	DESCRIPTION	DATE	DWN	APVD
		C1		REVISED PER ECO-15-001489	31JAN2015	AP	DD



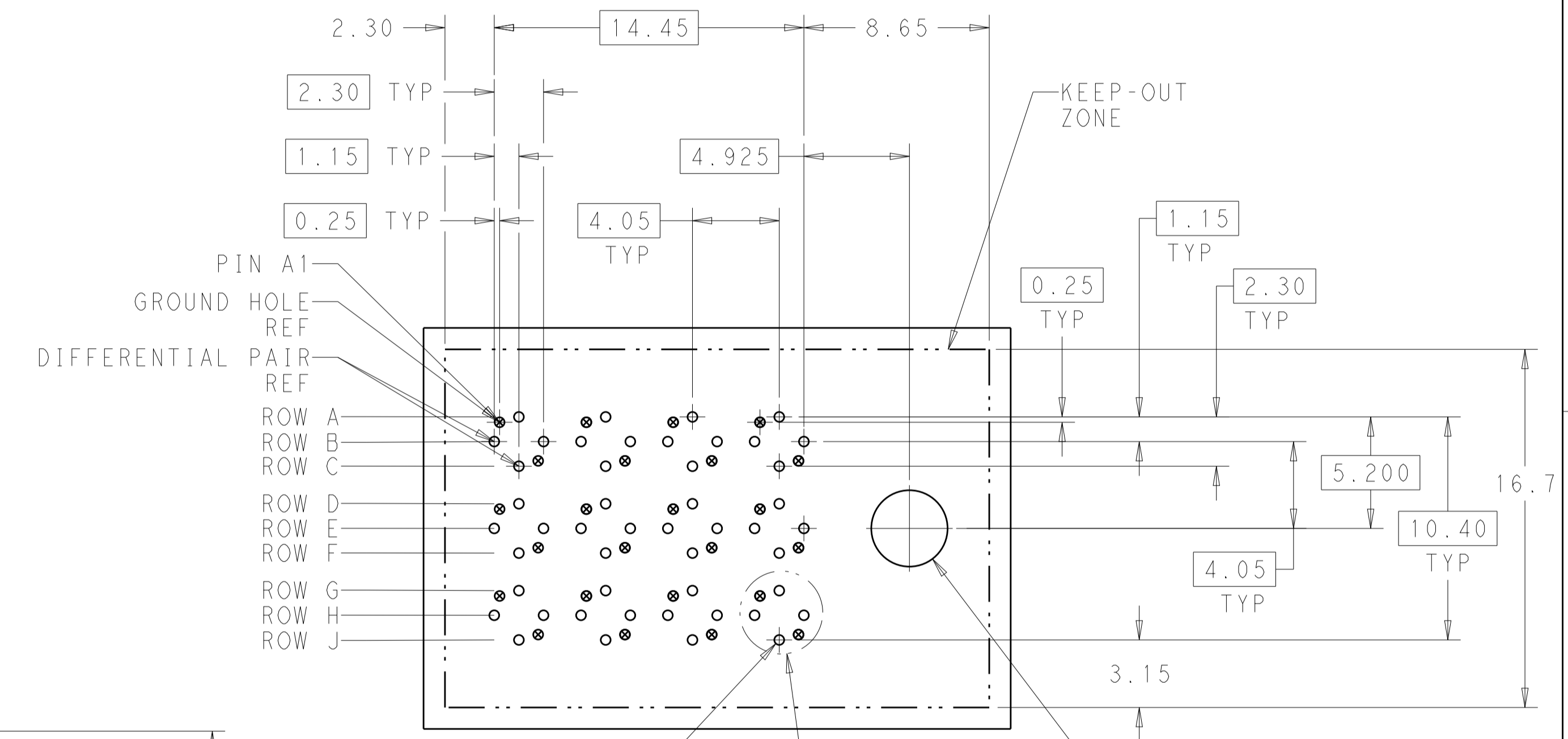
NOTCH DESIGNATES ROW A



- △ MATERIAL:
HOUSING: LCP, GLASS FILLED, UL94V-0.
TERMINALS: HIGH PERFORMANCE COPPER ALLOY.
- △ FINISH:
30μ" MIN GOLD IN CONTACT AREA. SELECTIVE TIN ON PCB TAILS, NICKEL OVERALL.
- 3. SCREWS PACKAGED IN END OF PACKAGING TUBE.
- △ FOR GROUNDED GUIDE PIN USE $\varnothing 3.56 \pm 0.08$ PTH, $\varnothing 3.66$ DRILL, AND $\varnothing 6.5$ PAD.

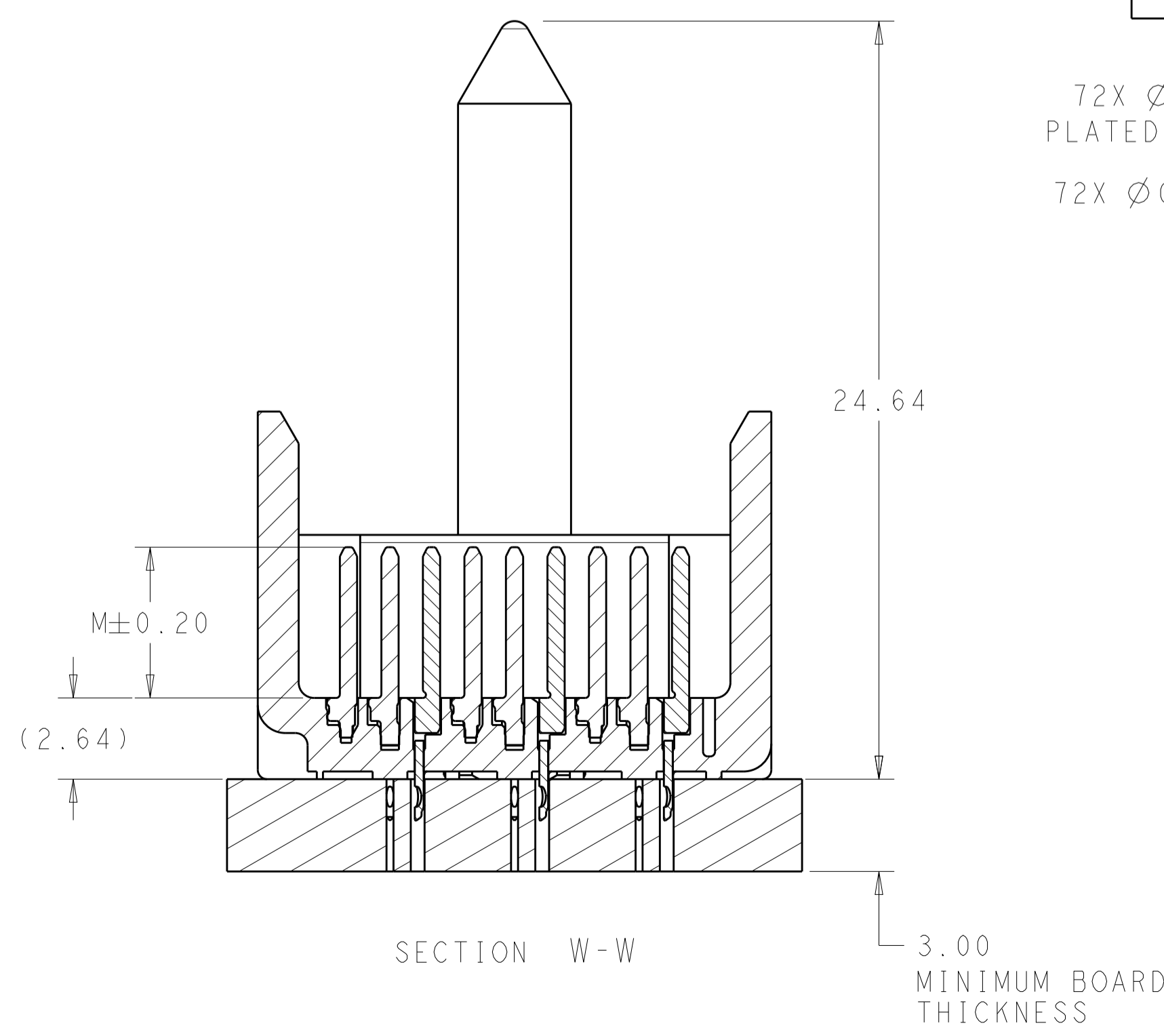
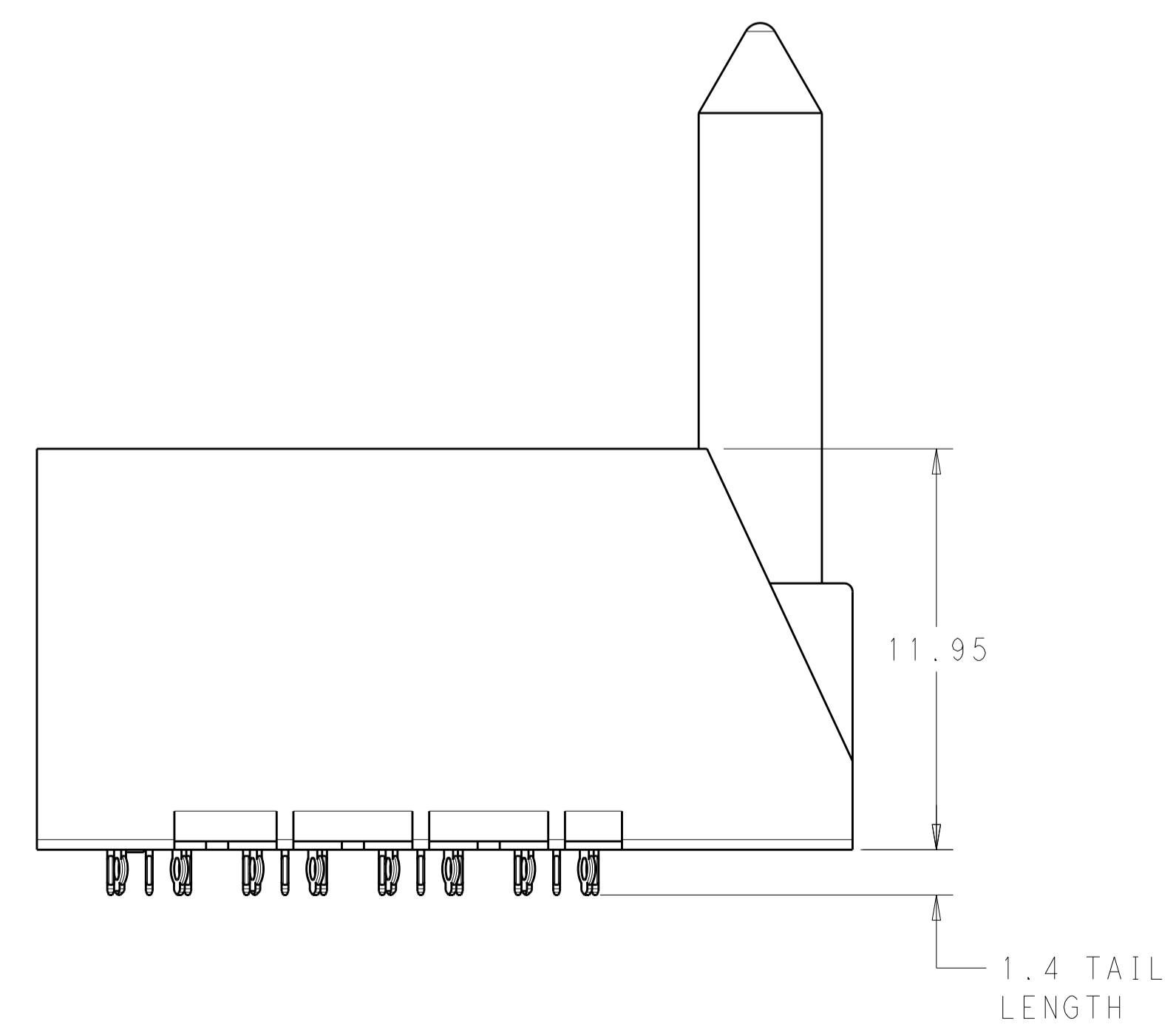


DETAIL X
SCALE 16:1



RIGHT GUIDED BACKPLANE HOLE PATTERN (CONNECTOR SIDE)

REFER TO WWW.TE.COM FOR PRODUCT AVAILABILITY



△	5.5	2132588-2
△	4.9	2132588-1
FINISH	DIM M	PART NUMBER

THIS DRAWING IS A CONTROLLED DOCUMENT.		DWN: KIRAN HOLAL 29APR2013	NAME: IMPACT, ORTHOGONAL, 3 PAIR, 8 COLUMN HEADER, RIGHT GUIDED, LEFT END WALL SIGNAL MODULE, 0.46 PTH	
DIMENSIONS: mm		CHK: D. DIXON 29APR2013	PRODUCT SPEC	
TOLERANCES UNLESS OTHERWISE SPECIFIED:		APVD: D. DIXON 29APR2013	APPLICATION SPEC	
0 PLC ±0.25		SIZE: CAGE CODE DRAWING NO: A100779C=2132588		
1 PLC ±0.13		RESTRICTED TO		
2 PLC ±0.10		WEIGHT: -		
3 PLC ±0.08		Customer Drawing		
4 PLC ±0.05		SCALE: 6:1 SHEET 1 OF 1 REV: C1		
ANGLES ±0.5				
FINISH: SEE TABLE				