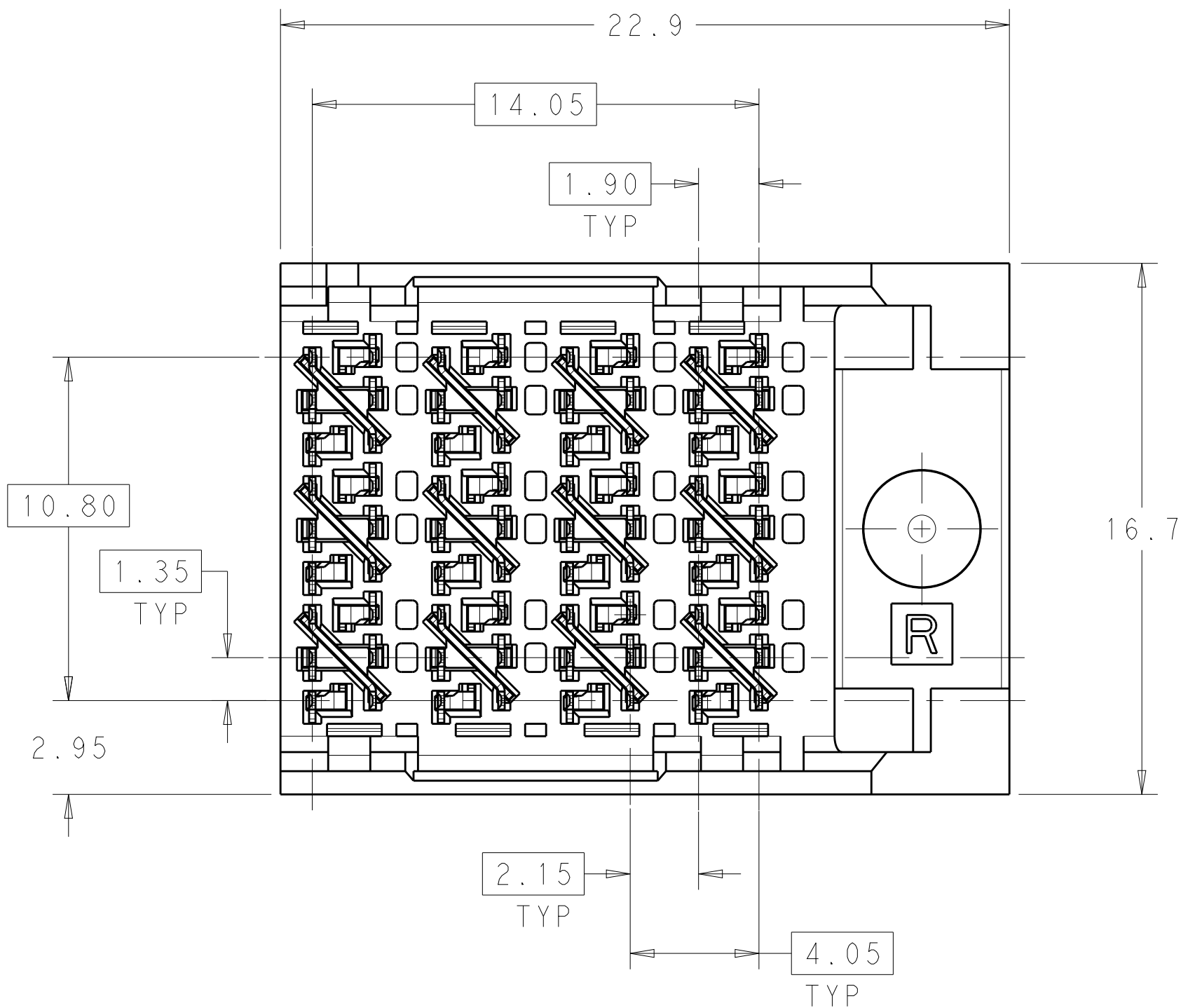
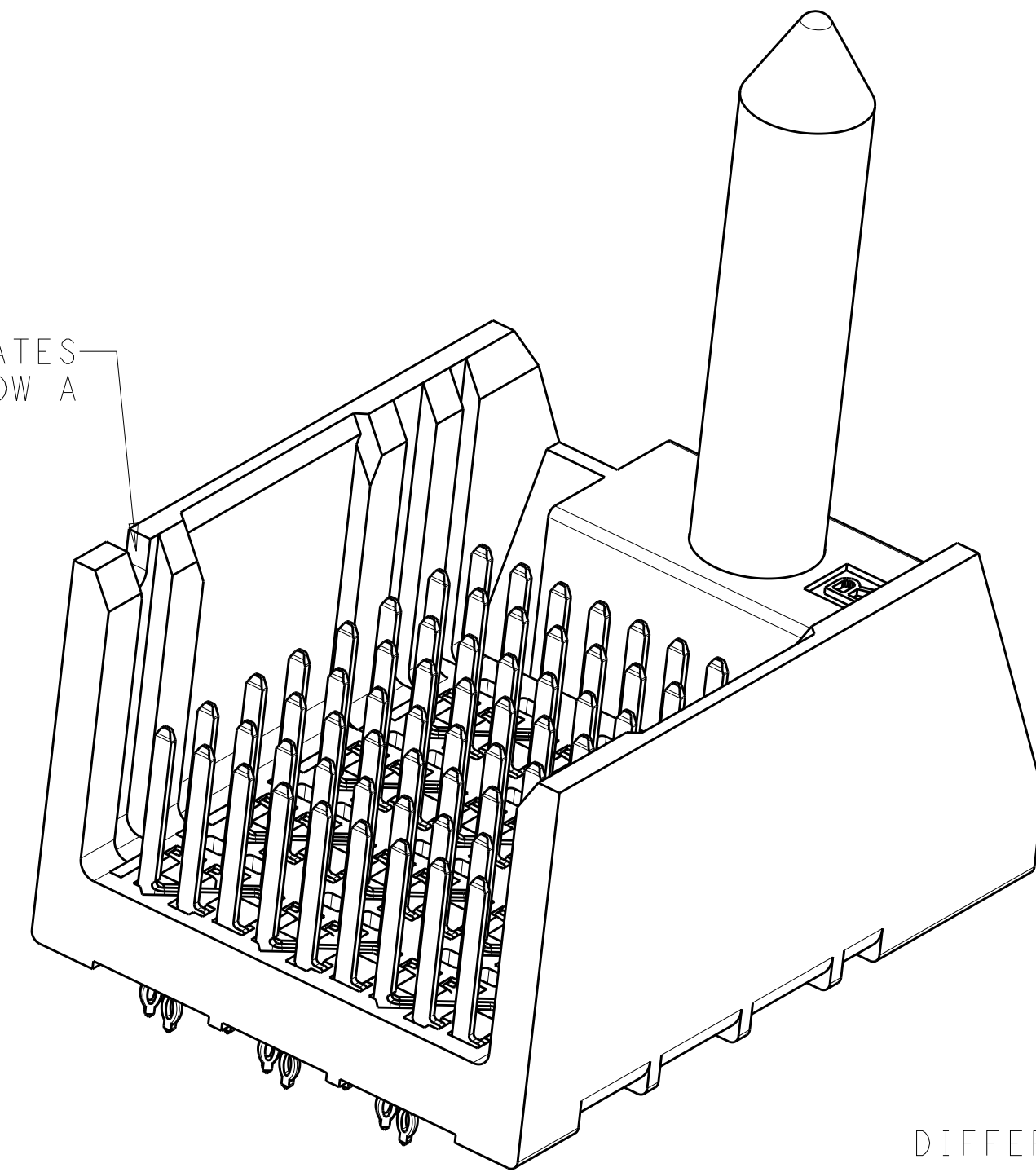


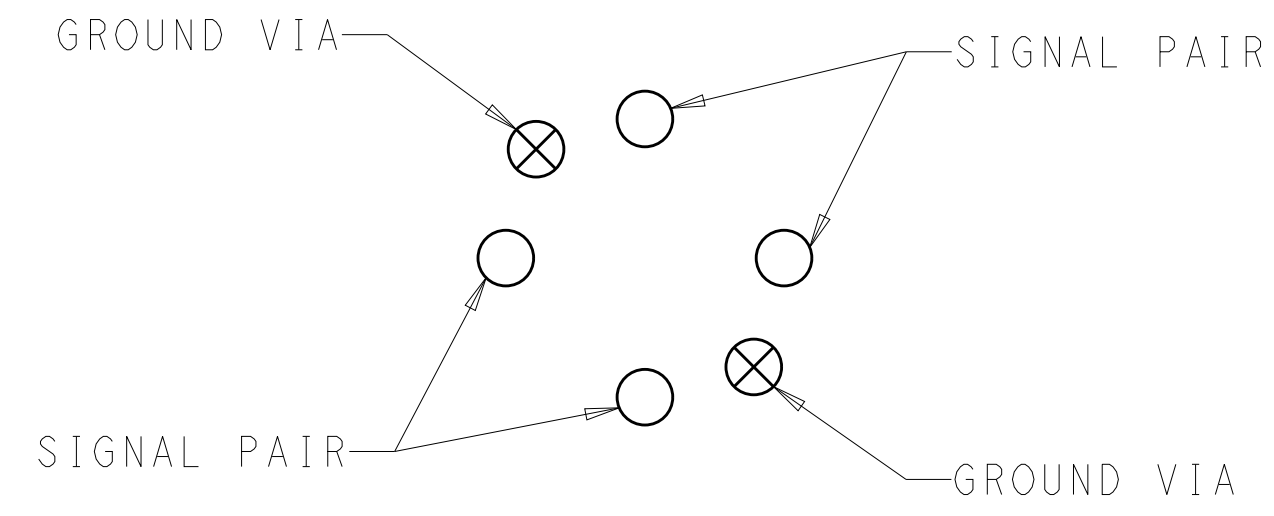
LOC	DIST	REVISIONS					
		P	LTN	DESCRIPTION	DATE	DWN	APVD
AD	00	C1		REVISED PER ECO-15-001489	31JAN2015	AP	DD



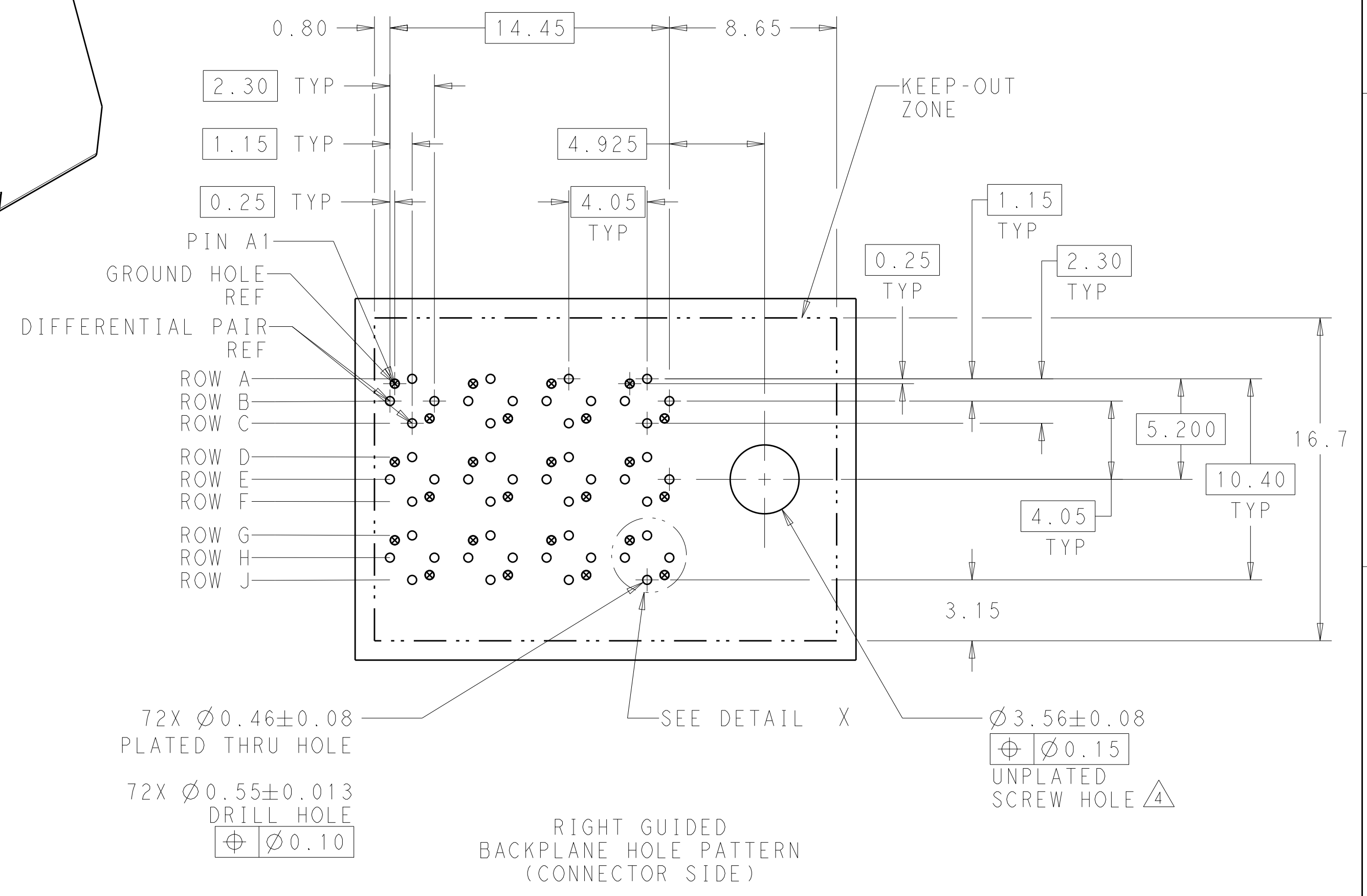
NOTCH DESIGNATES ROW A



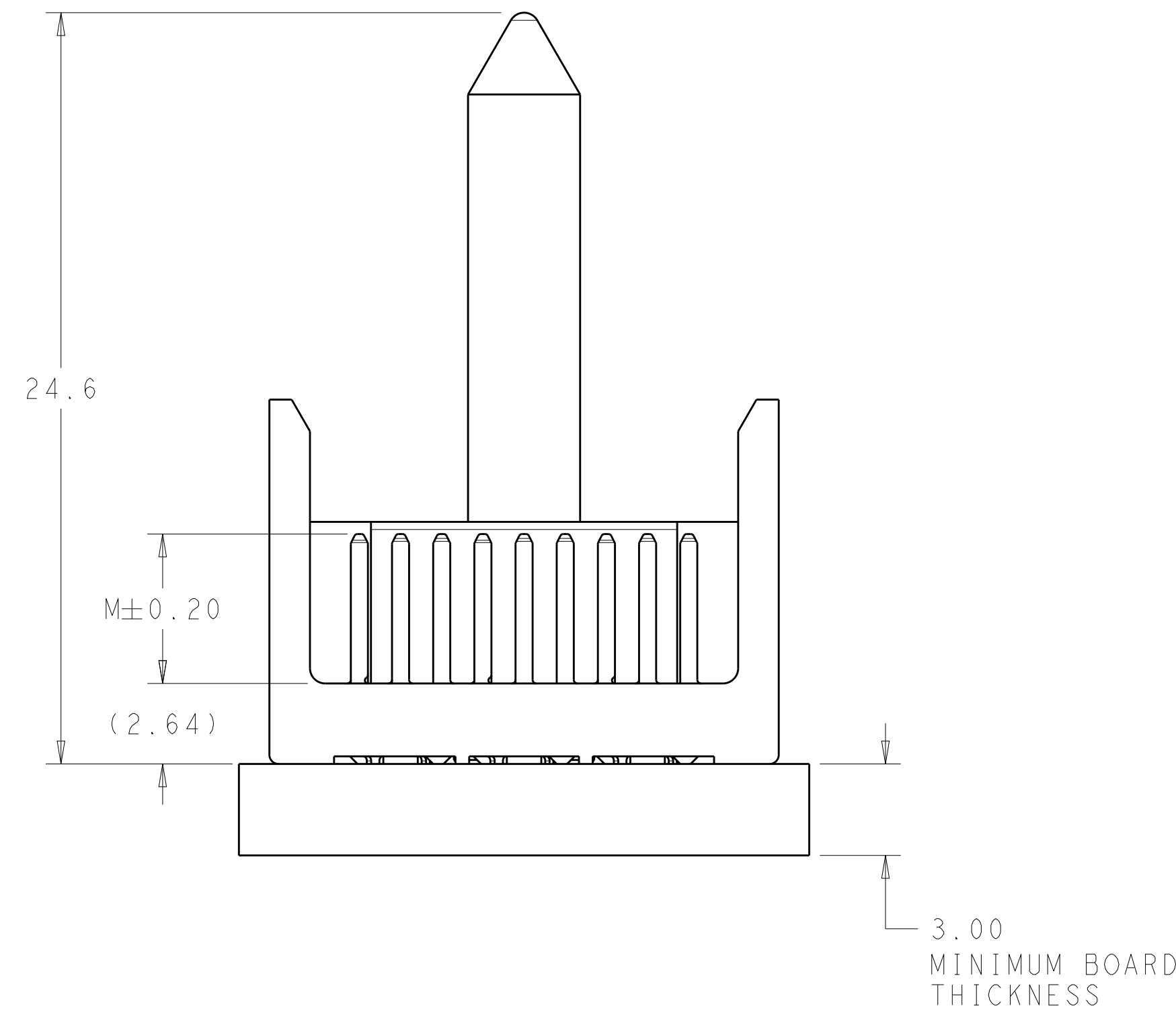
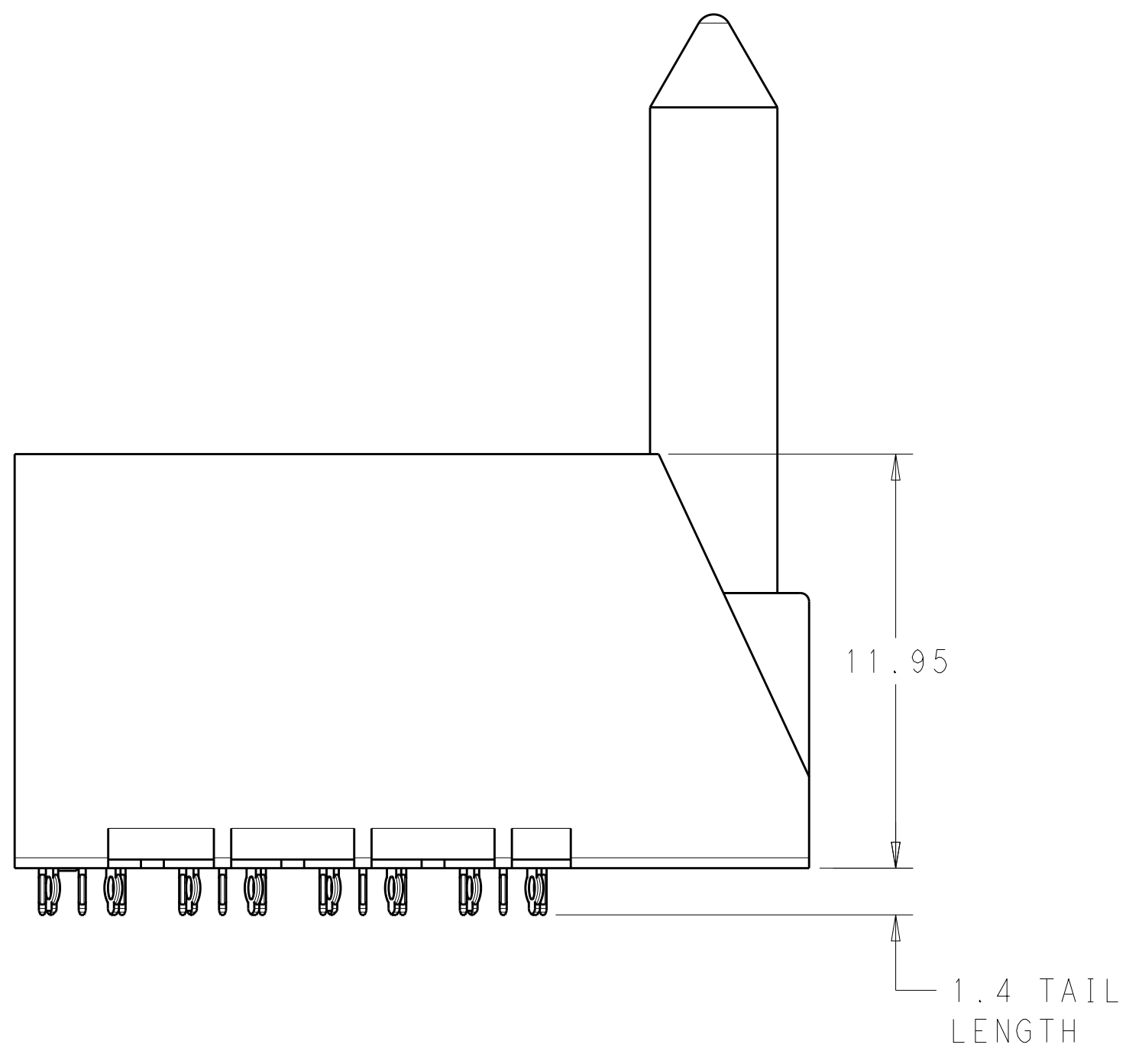
- 1 MATERIAL:
HOUSING: LCP, GLASS FILLED, UL94V-0.
TERMINALS: HIGH PERFORMANCE COPPER ALLOY.
- 2 FINISH:
30μ" MIN GOLD IN CONTACT AREA. SELECTIVE TIN ON PCB TAILS, NICKEL OVERALL.
- 3. SCREWS PACKAGED IN END OF PACKAGING TUBE.
- 4 FOR GROUNDED GUIDE PIN USE $\varnothing 3.56 \pm 0.08$ PTH, $\varnothing 3.66$ DRILL, AND $\varnothing 6.5$ PAD.



DETAIL X
SCALE 16:1



RIGHT GUIDED
BACKPLANE HOLE PATTERN
(CONNECTOR SIDE)



REFER TO WWW.TE.COM FOR PRODUCT AVAILABILITY

2	5.5	2132587-2
2	4.9	2132587-1
FINISH	DIM M	PART NUMBER

THIS DRAWING IS A CONTROLLED DOCUMENT.		DWN: KIRAN HOLAL 23APR2013	TE Connectivity NAME: IMPACT, ORTHOGONAL, 3 PAIR, 8 COLUMN HEADER, RIGHT GUIDED, OPEN END WALL SIGNAL MODULE, 0.46 PTH SIZE: CAGE CODE DRAWING NO: A100779C=2132587 RESTRICTED TO:
DIMENSIONS: mm		CHK: D. DIXON 23APR2013	
TOLERANCES UNLESS OTHERWISE SPECIFIED:		APVD: D. DIXON 23APR2013	
0 PLC ± 1 PLC ±0.25 2 PLC ±0.13 3 PLC ± 4 PLC ± ANGLES ±		PRODUCT SPEC	
MATERIAL	FINISH	WEIGHT	APPLICATION SPEC
	SEE TABLE	Customer Drawing	SCALE: 6:1 SHEET 1 OF 1 REV: C1