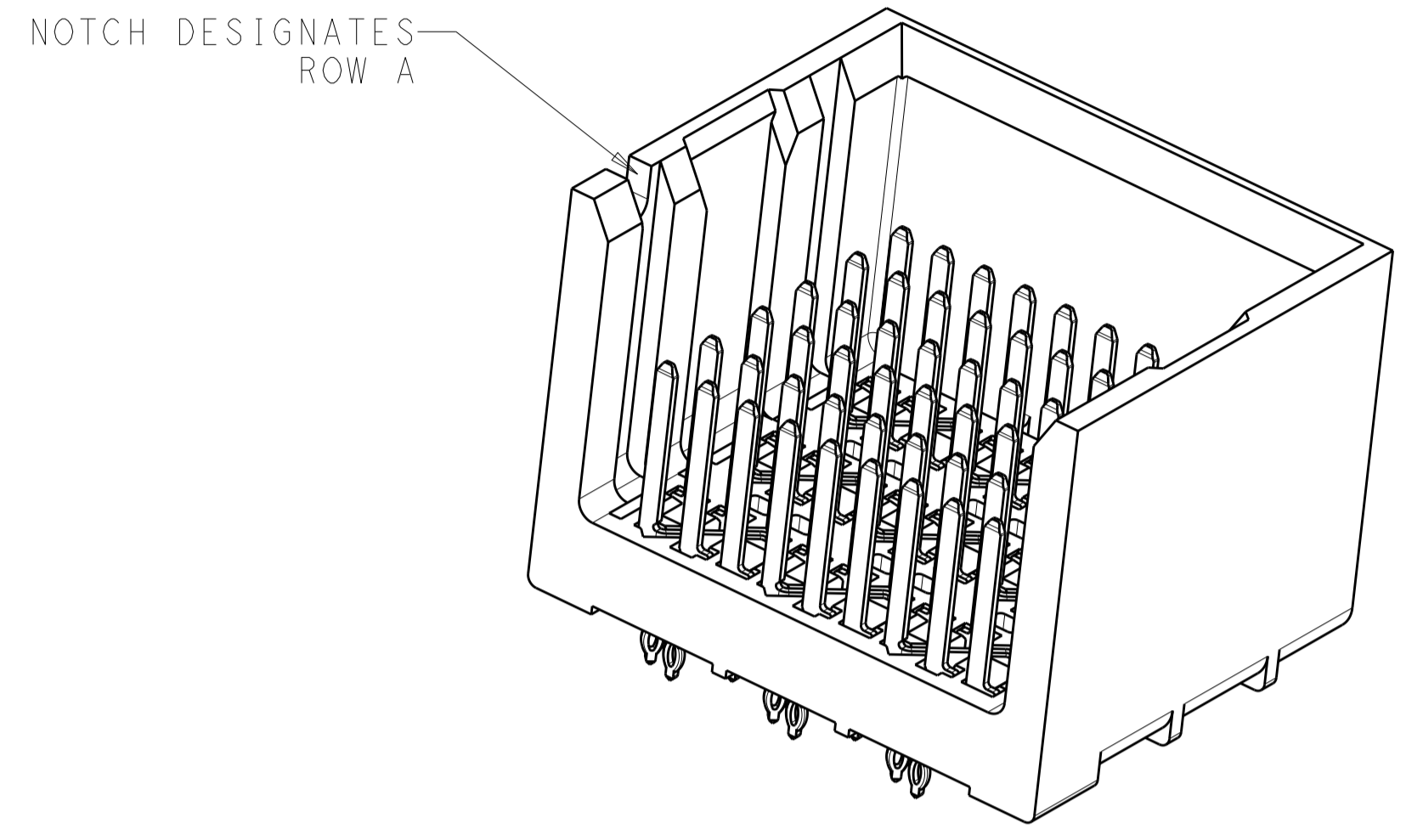
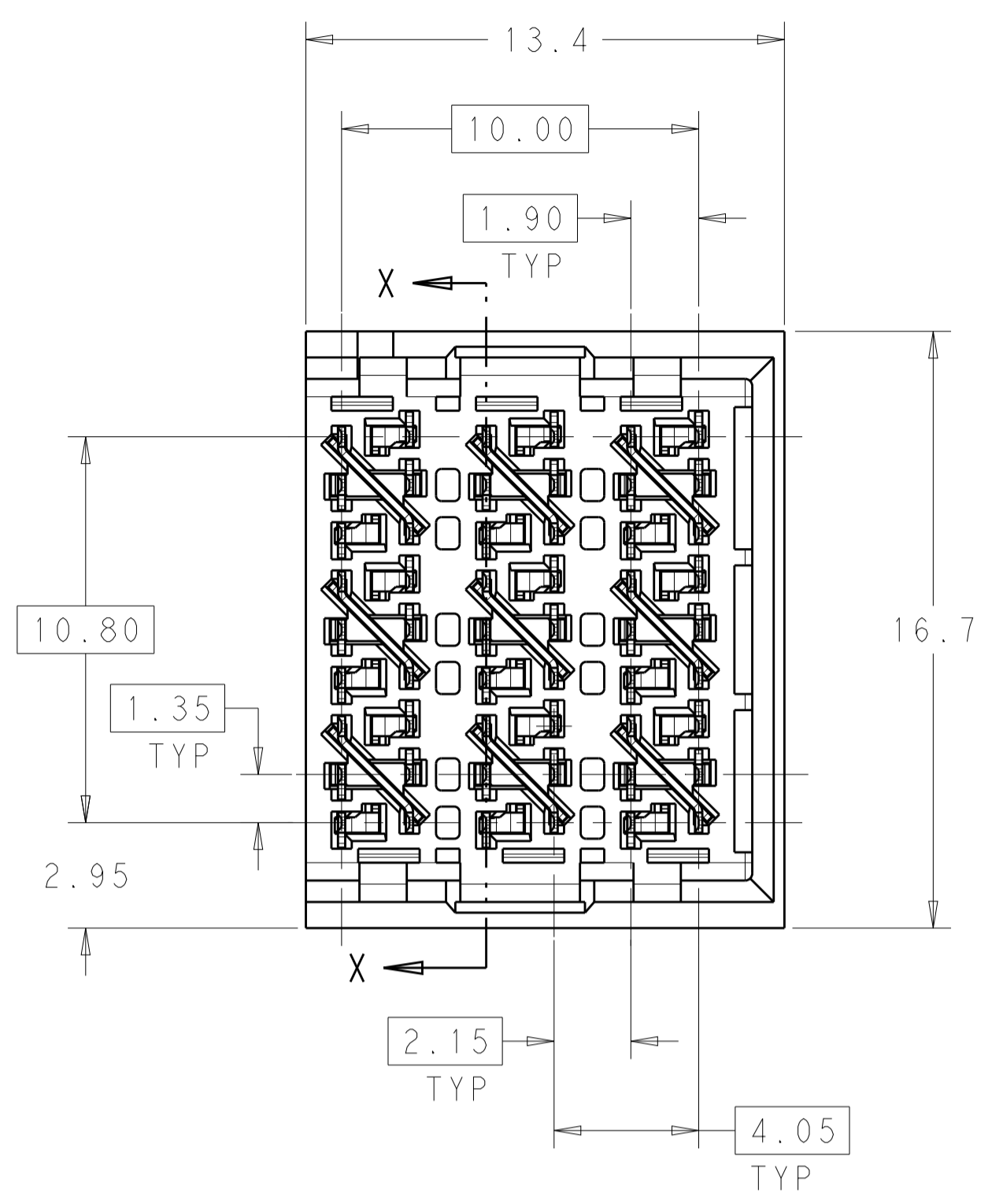
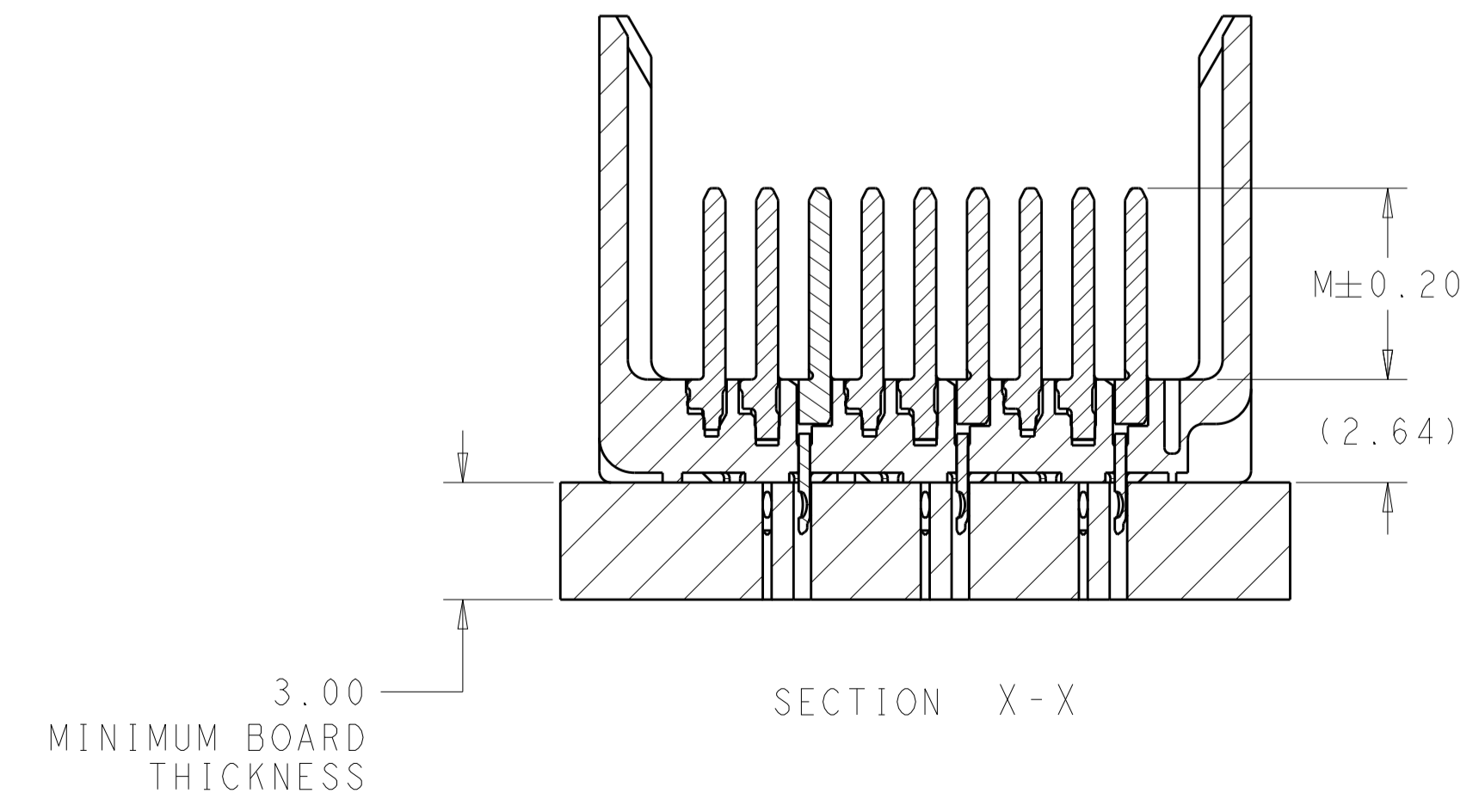
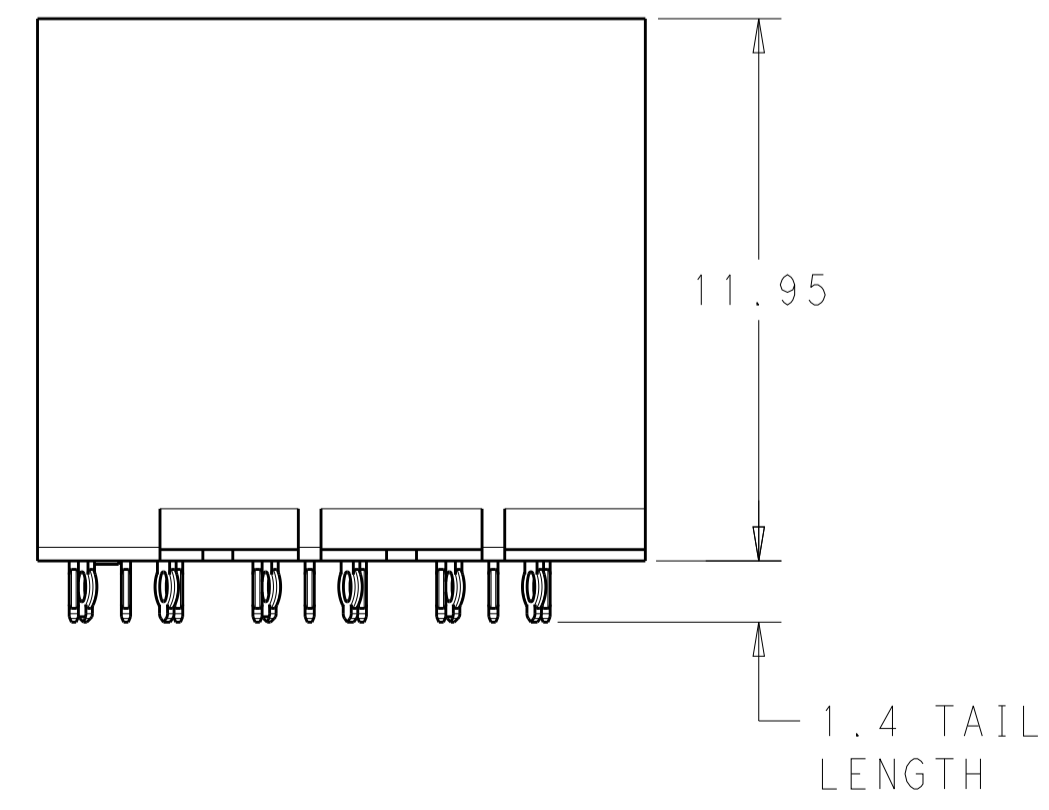
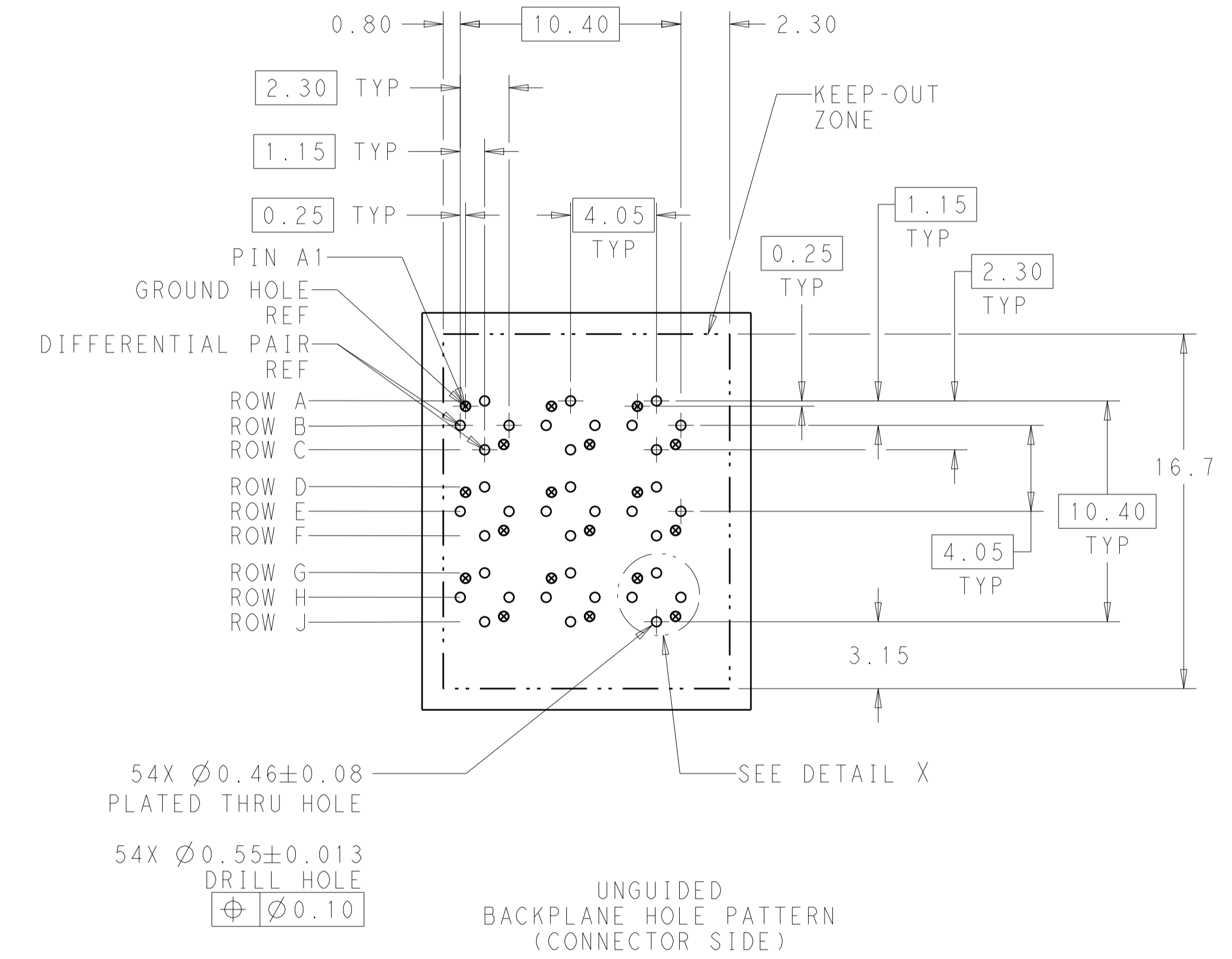
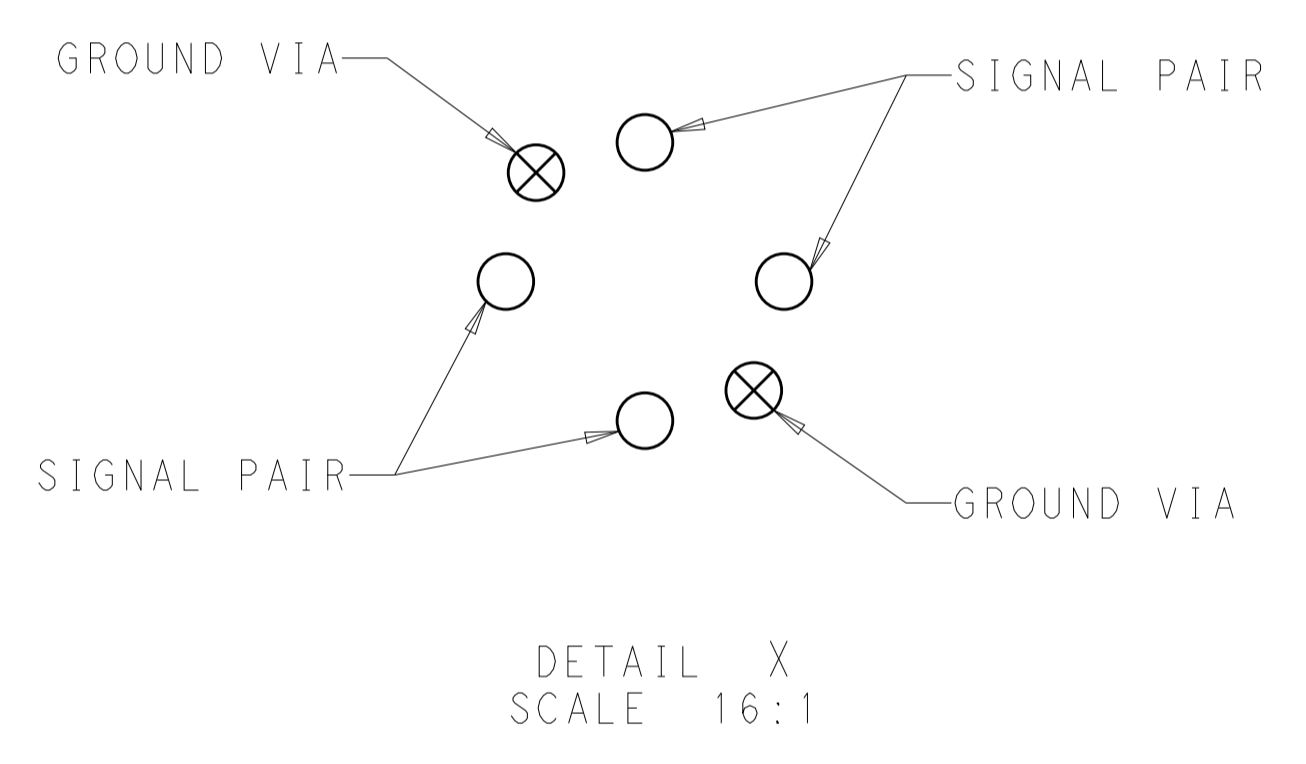


LOC	DIST	REVISIONS					
		P	LTN	DESCRIPTION	DATE	DWN	APVD
AD	00	C1		REVISED PER ECO-15-001489	30JAN2015	AP	DD



1 MATERIAL:
HOUSING: LCP, GLASS FILLED, UL94V-0.
TERMINALS: HIGH PERFORMANCE COPPER ALLOY.

2 FINISH:
30μ" MIN GOLD IN CONTACT AREA. SELECTIVE TIN ON PCB TAILS, NICKEL OVERALL.



REFER TO WWW.TE.COM FOR PRODUCT AVAILABILITY

2	5.5	2132576-2
2	4.9	2132576-1
FINISH	DIM M	PART NUMBER

THIS DRAWING IS A CONTROLLED DOCUMENT.

OWN: KIRAN HOLAL 22APR2013
CHK: D. DIXON 22APR2013
APVD: D. DIXON 22APR2013

TE Connectivity

NAME: IMPACT, ORTHOGONAL, 3 PAIR, 6 COLUMN HEADER, UNGUIDED, RIGHT END WALL SIGNAL MODULE, 0.46 PTH

SIZE: A1 00779 C=2132576

Customer Drawing SCALE: 6:1 SHEET 1 OF 1 REV: C1