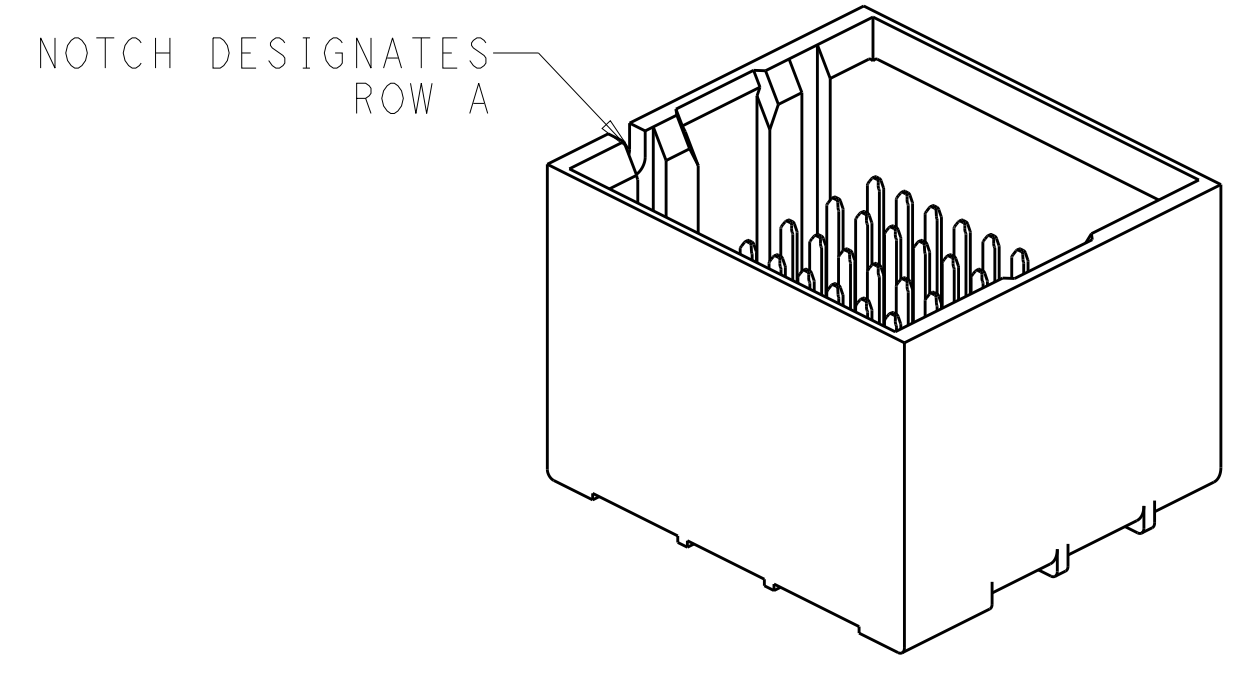
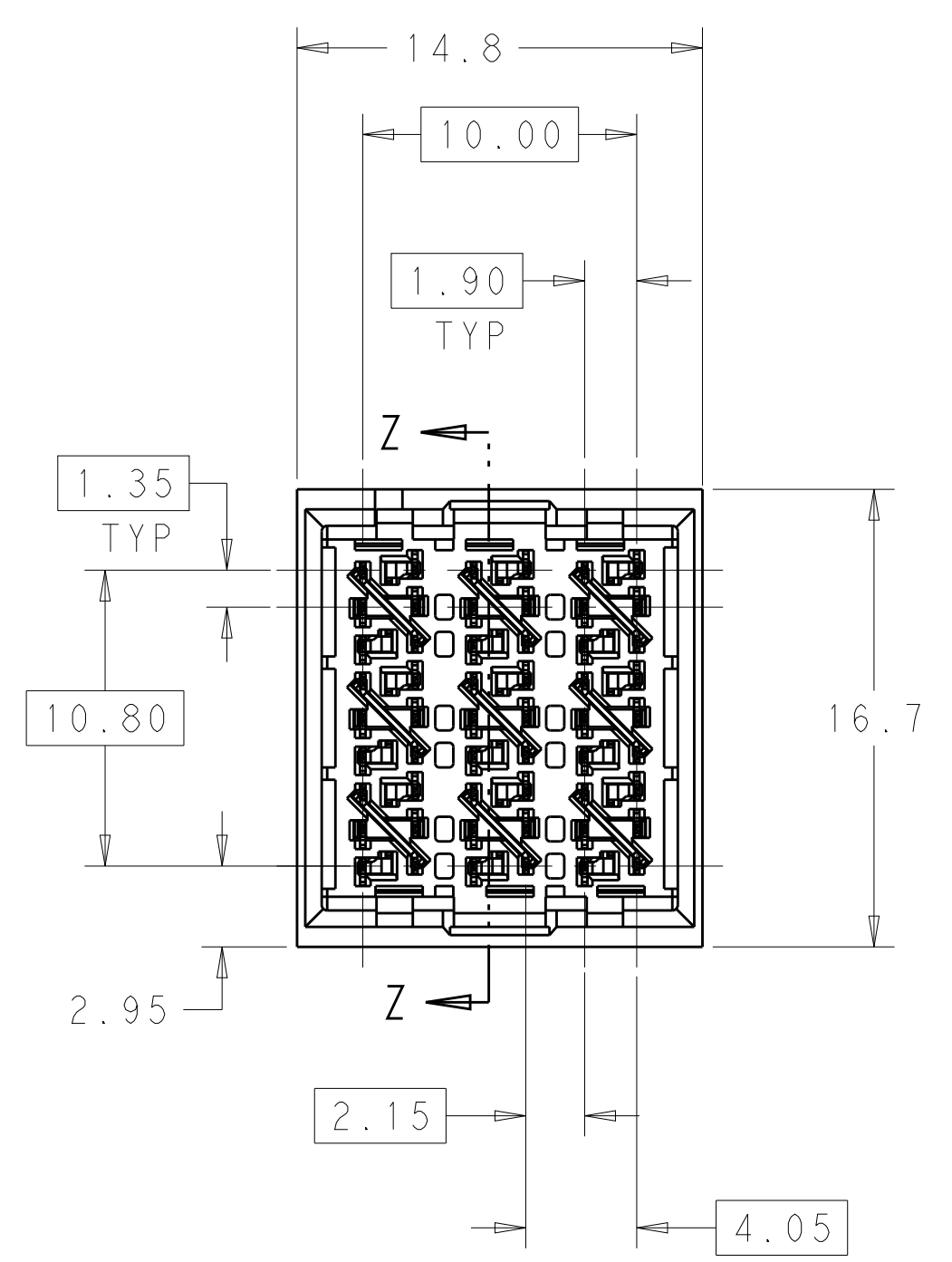
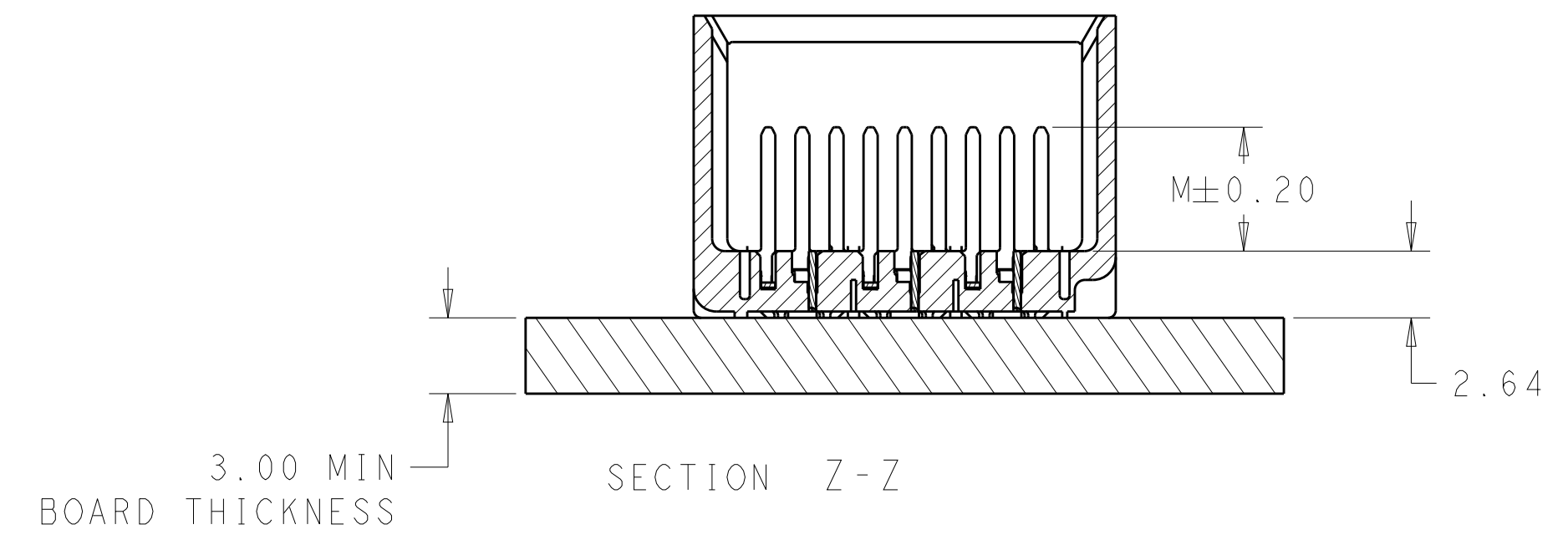
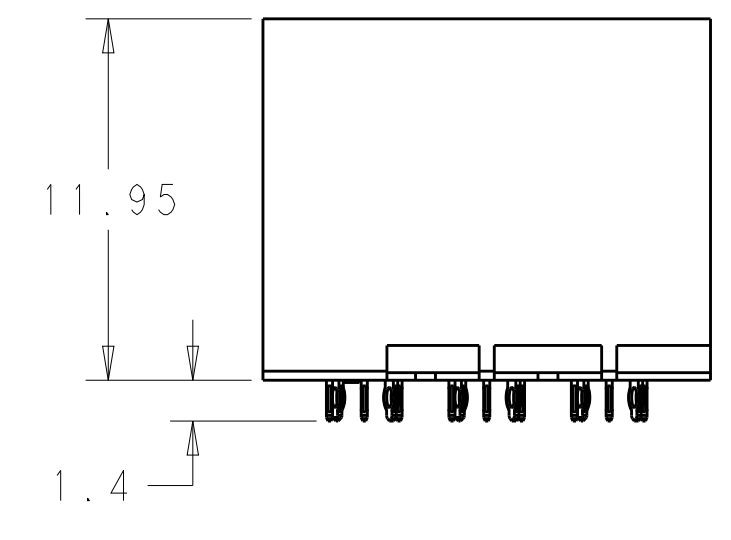
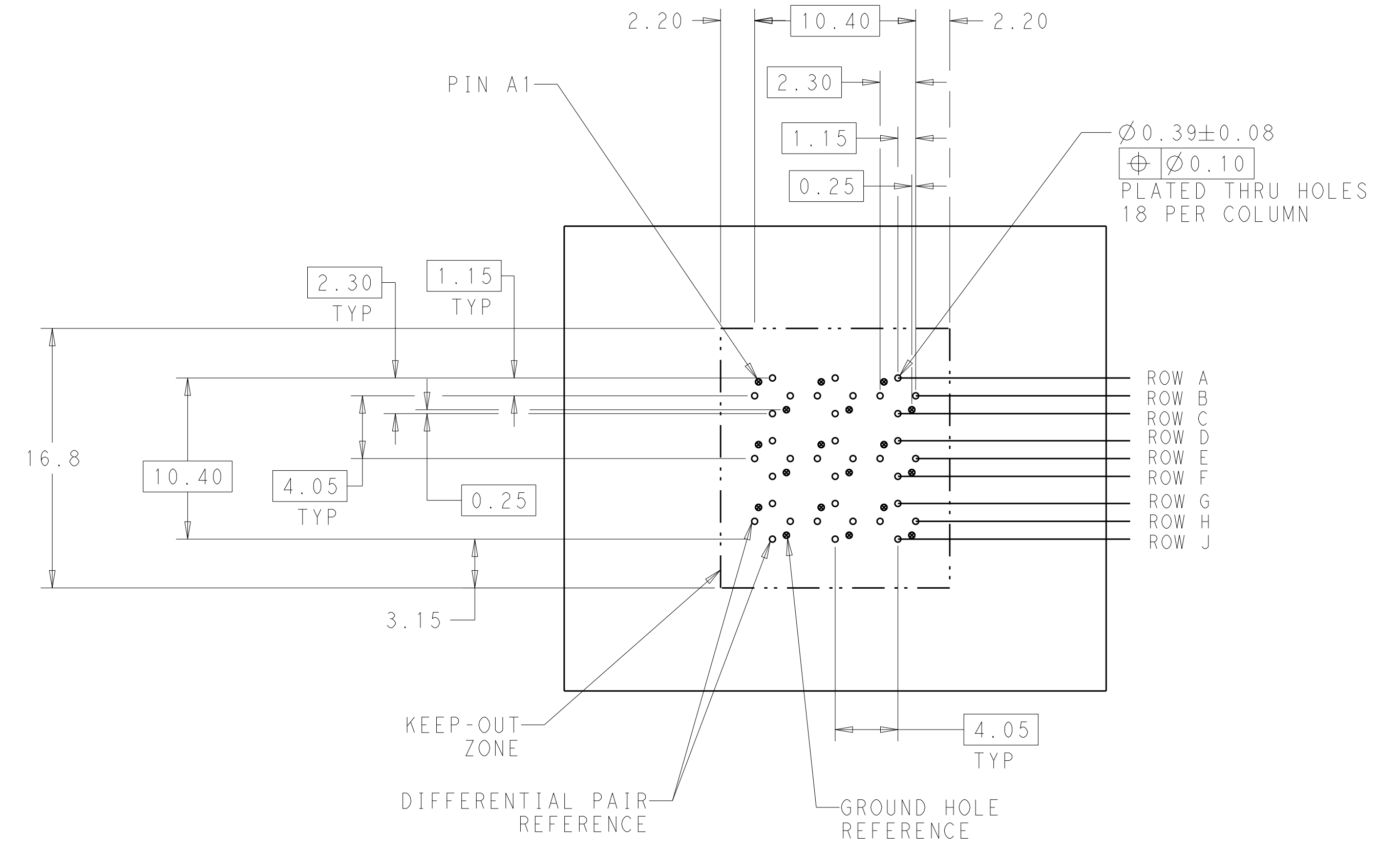


REVISIONS				
P.	LTN.	DESCRIPTION	DATE	DWN. APVD.
C1		REVISED PER ECO-15-001489	30JAN2015	AP DD



△ MATERIAL:
HOUSING: LCP GLASS FILLED UL94V-0
TERMINALS: HIGH PERFORMANCE COPPER ALLOY

△ FINISH:
30μ" MIN GOLD IN CONTACT AREA
SELECTIVE TIN ON PCB TAILS.
NICKEL OVERALL.



LEFT GUIDED
BACKPLANE HOLE PATTERN
(CONNECTOR SIDE)
SCALE 4:1

REFER TO WWW.TE.COM
FOR PRODUCT AVAILABILITY

△	5.5	2132575-2
△	4.9	2132575-1
FINISH	DIM M	PART NUMBER

THIS DRAWING IS A CONTROLLED DOCUMENT.		DWN J. K. SHOBER 04NOV2010	TE Connectivity	
DIMENSIONS: mm		CHK J. EARY 04NOV2010		
TOLERANCES UNLESS OTHERWISE SPECIFIED:		APVD J. EARY 04NOV2010		
0 PLC ±	1 PLC ±0.25	NAME	IMPACT, 3 PAIR, 8 COLUMN, UNGUIDED DUAL END WALL ASSEMBLY, ORTHOGONAL, 0.46 PTH	
2 PLC ±0.13	3 PLC ±	PRODUCT SPEC	-	
4 PLC ±	ANGLES ±0	APPLICATION SPEC	-	
MATERIAL	FINISH	WEIGHT	SIZE	CAGE CODE
SEE TABLE	SEE TABLE	Customer Drawing	A100779	2132575
SCALE 4:1		SHEET 1 OF 1		REV C1