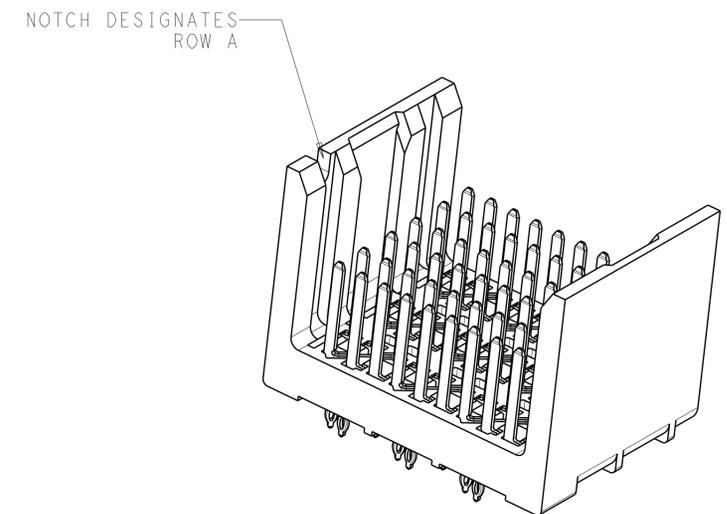
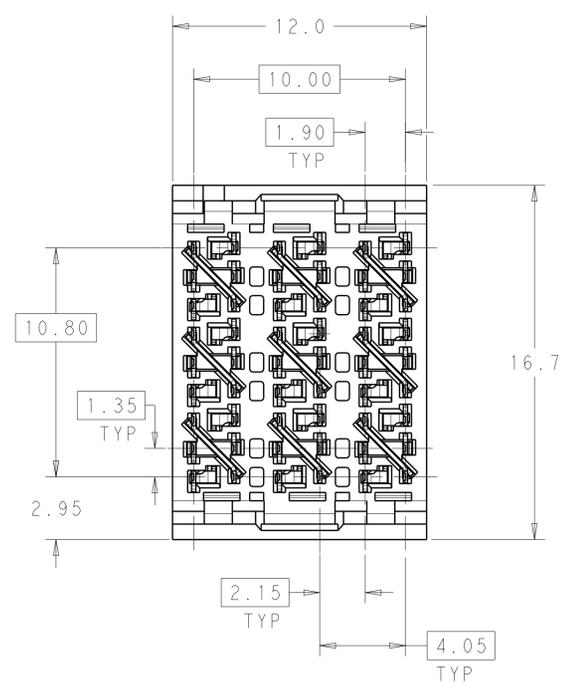
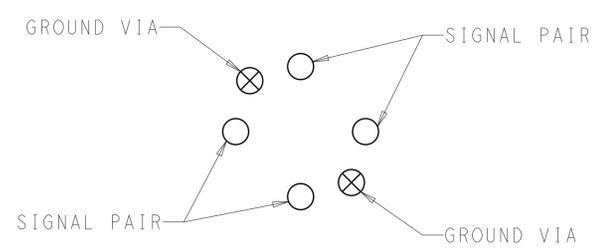


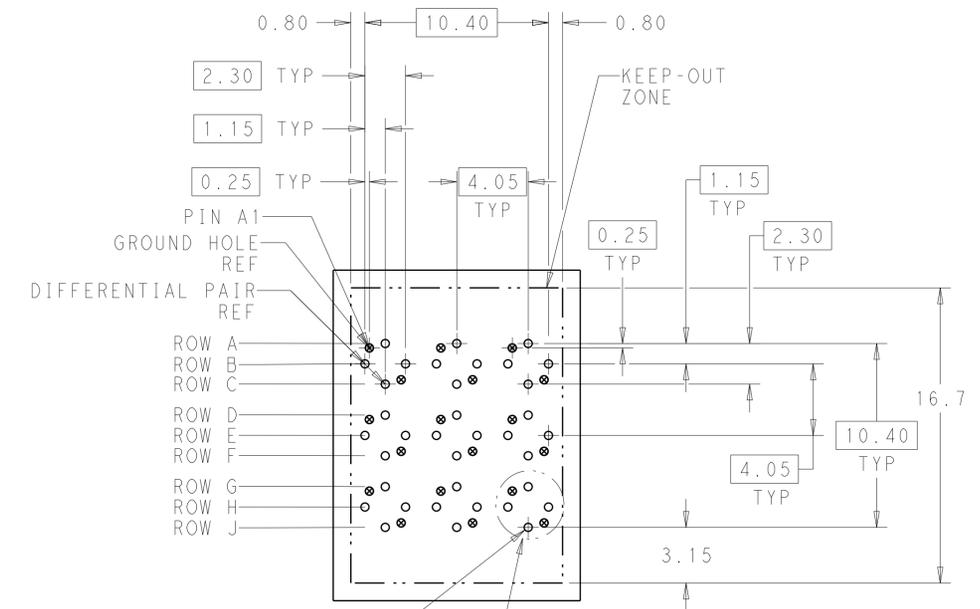
LOC	DIST	REVISIONS					
		P	LTN	DESCRIPTION	DATE	DWN	APVD
AD	00	C1		REVISED PER ECO-15-001489	30JAN2015	AP	DD



- 1 MATERIAL:  
HOUSING: LCP, GLASS FILLED, UL94V-0.  
TERMINALS: HIGH PERFORMANCE COPPER ALLOY.
- 2 FINISH:  
30μ" MIN GOLD IN CONTACT AREA. SELECTIVE TIN ON PCB TAILS, NICKEL OVERALL.



DETAIL X  
SCALE 16:1



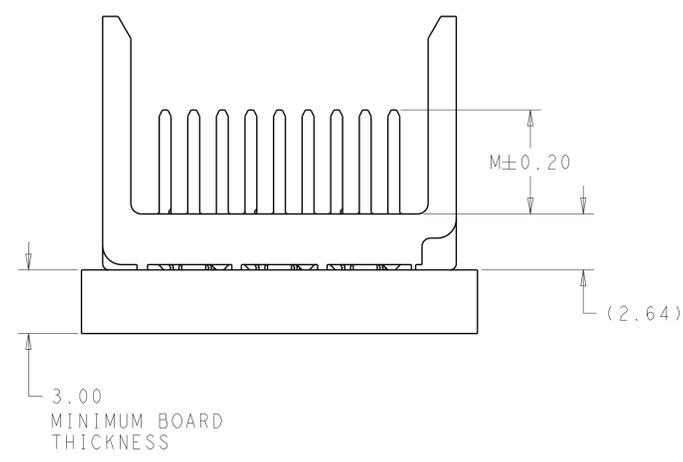
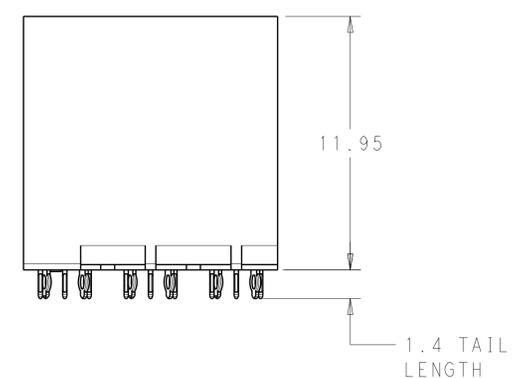
54X  $\varnothing 0.46 \pm 0.08$   
PLATED THRU HOLE

54X  $\varnothing 0.55 \pm 0.013$   
DRILL HOLE  
 $\varnothing 0.10$

UNGUIDED  
BACKPLANE HOLE PATTERN  
(CONNECTOR SIDE)

REFER TO WWW.TE.COM  
FOR PRODUCT AVAILABILITY

5.5	2132573-2
4.9	2132573-1
FINISH	PART NUMBER



THIS DRAWING IS A CONTROLLED DOCUMENT.

DWN: KIRAN HOLAL 22APR2013  
CHK: D. DIXON 22APR2013  
APVD: D. DIXON 22APR2013

TE Connectivity

IMPACT, ORTHOGONAL, 3 PAIR, 6 COLUMN  
HEADER, UNGUIDED, OPEN END WALL  
SIGNAL MODULE, 0.46 PTH

SIZE: A1 00779 C=2132573

Customer Drawing

SCALE: 6:1

SHEET 1 OF 1

REV: C1