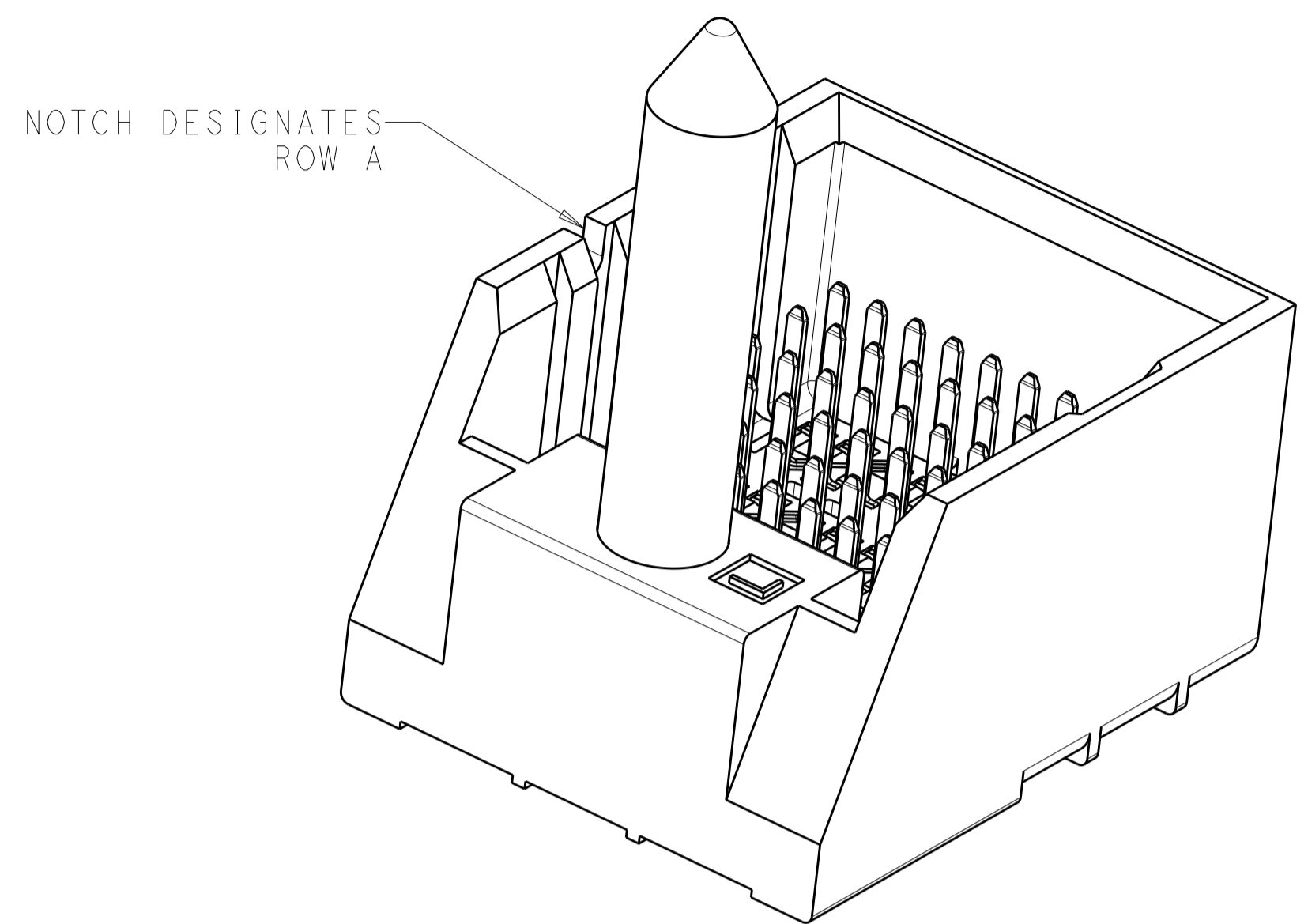
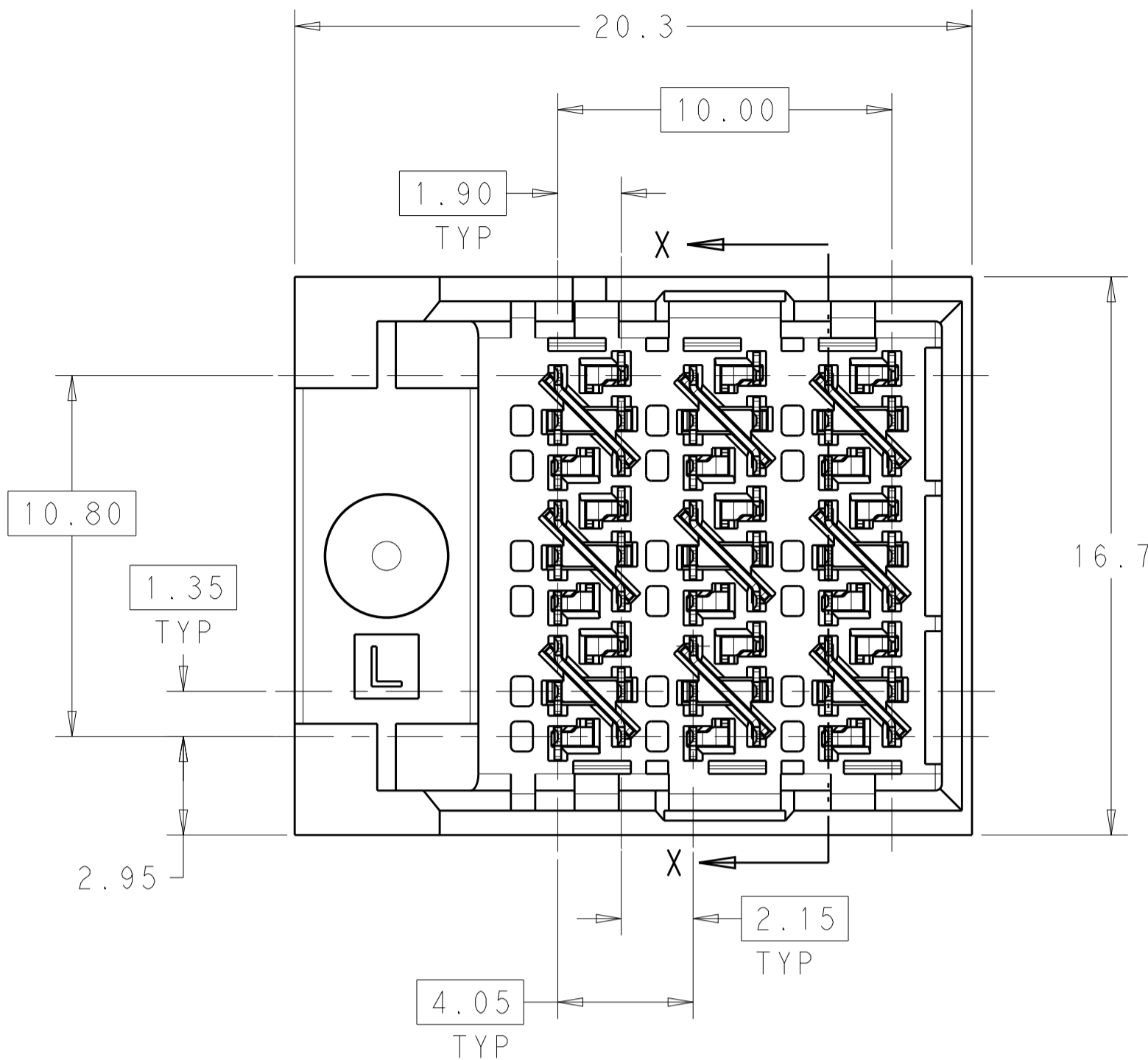
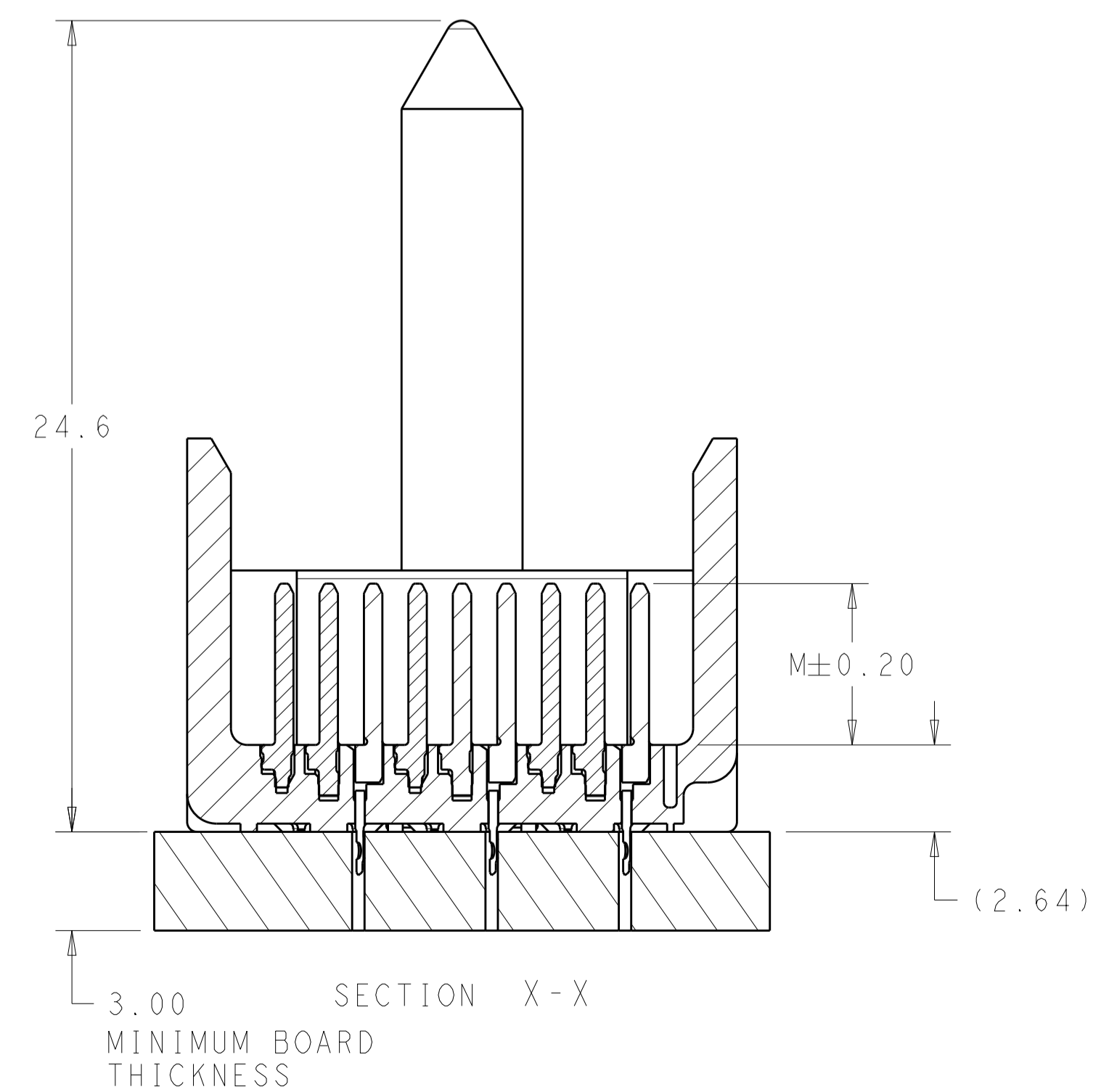
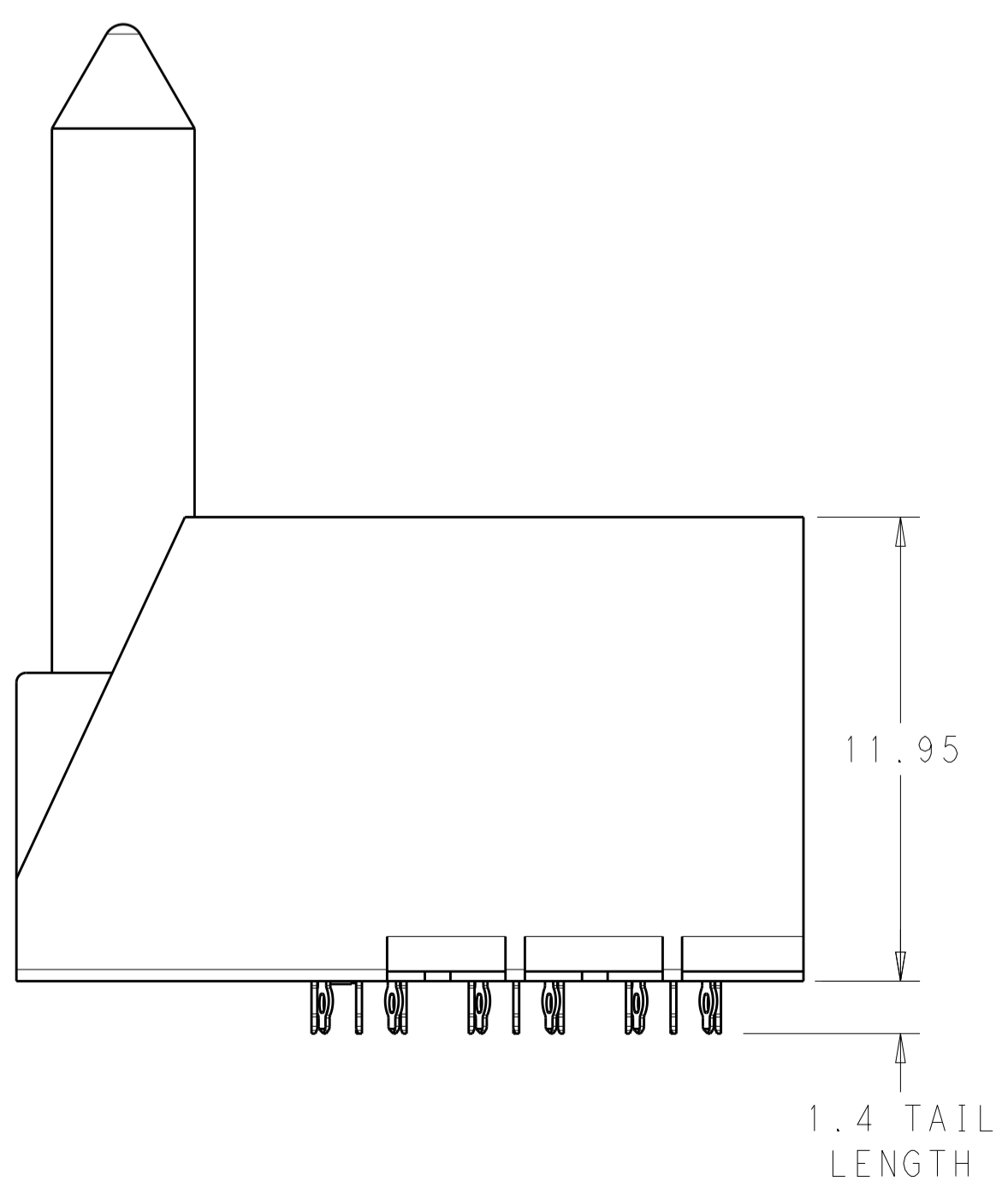
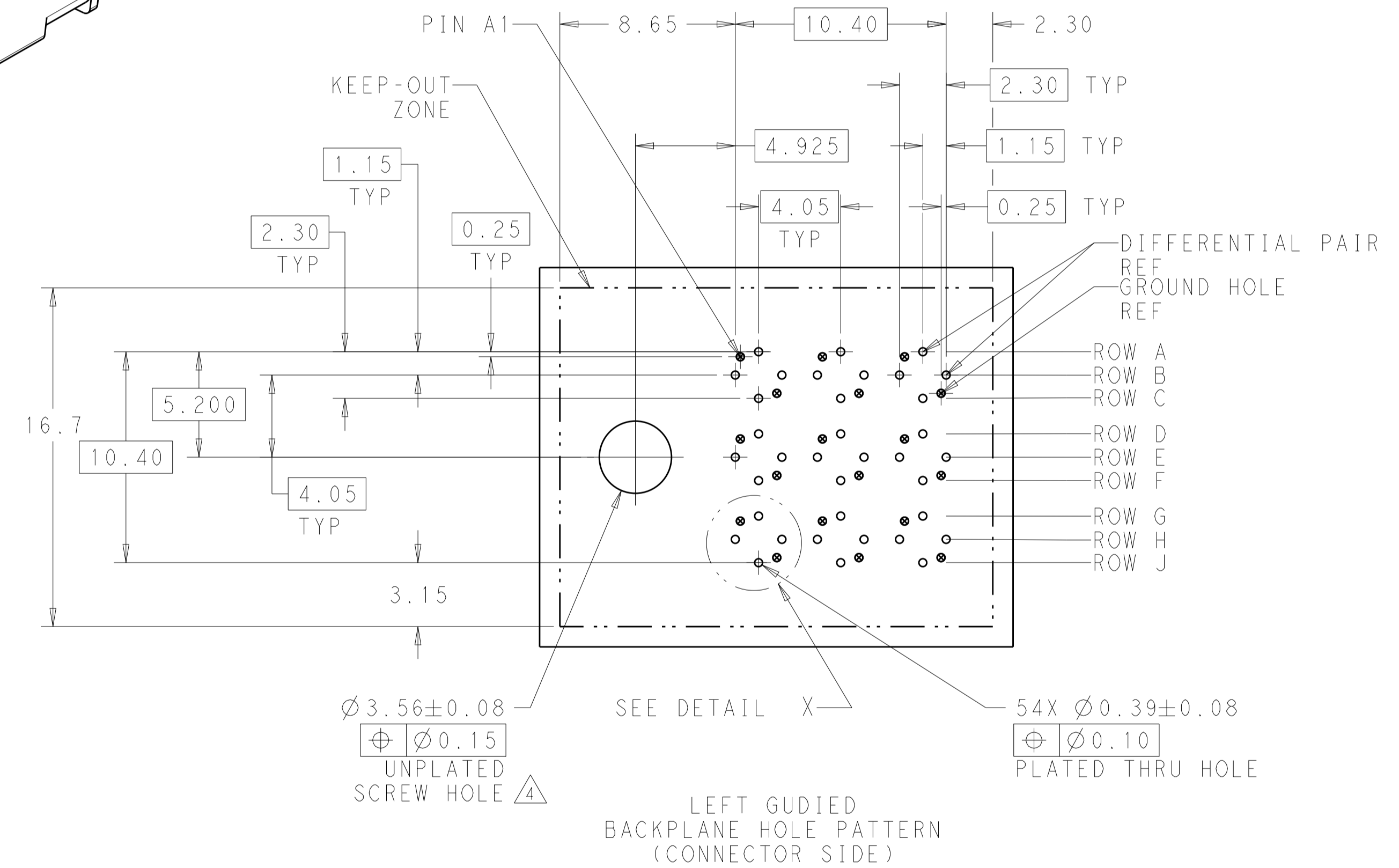
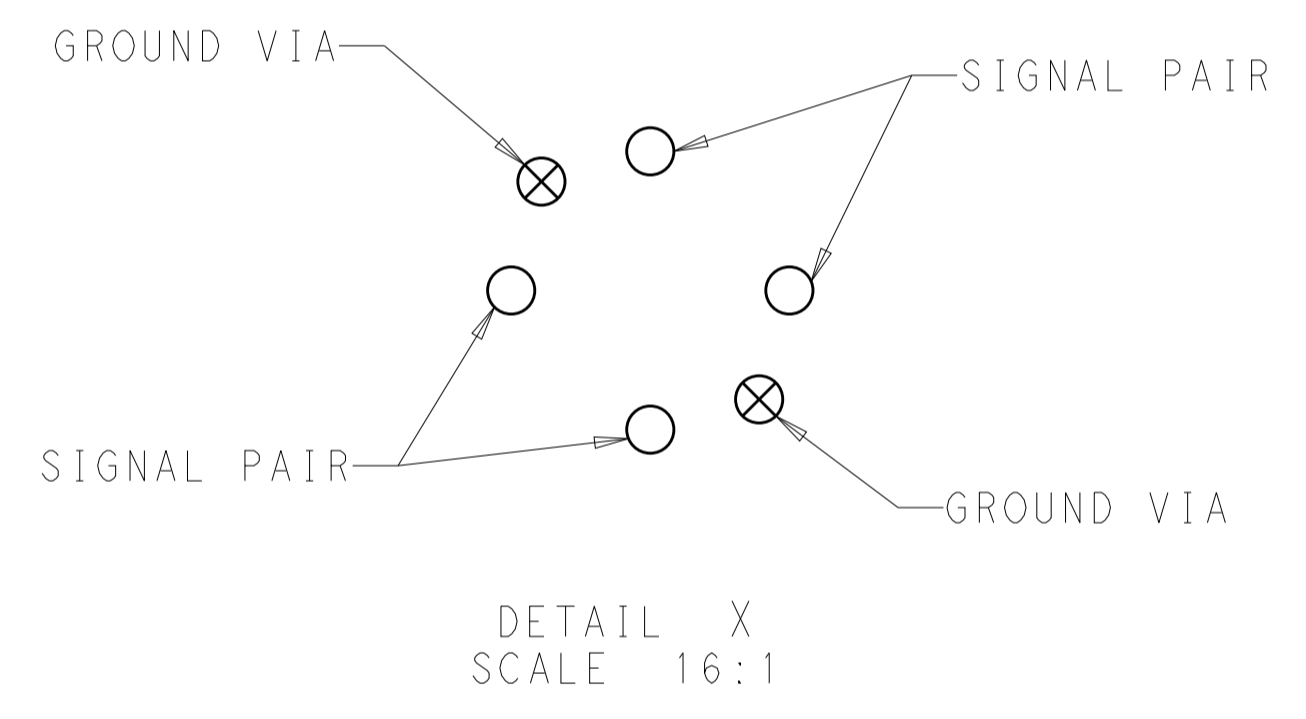


LOC		DIST		REVISIONS			
AD	00	P	LTN	DESCRIPTION	DATE	DWN	APVD
		C1		REVISED PER ECO-15-001489	15JAN2015	AP	DD



- 1 MATERIAL:
HOUSING: LCP, GLASS FILLED, UL94V-0.
TERMINALS: HIGH PERFORMANCE COPPER ALLOY.
- 2 FINISH:
30µ" MIN GOLD IN CONTACT AREA. SELECTIVE TIN ON PCB TAILS, NICKEL OVERALL.
3. SCREWS PACKAGED IN END OF PACKAGING TUBE.
- 4 FOR GROUNDED GUIDE PIN USE Ø3.56±0.08 PTH, Ø3.66 DRILL, AND Ø6.5 PAD.



REFER TO WWW.TE.COM FOR PRODUCT AVAILABILITY

2	5.5	2132562-2
2	4.9	2132562-1
FINISH	DIM M	PART NUMBER

THIS DRAWING IS A CONTROLLED DOCUMENT.		DWN B.CARBO 22NOV2011		NAME: IMPACT, ORTHOGONAL, 3 PAIR, 6 COLUMN HEADER, LEFT GUIDED, RIGHT END WALL SIGNAL MODULE, 0.39 PTH SIZE: CAGE CODE DRAWING NO: A100779C=2132562 WEIGHT: - Customer Drawing
DIMENSIONS: mm		CHK D.YI 22NOV2011		
TOLERANCES UNLESS OTHERWISE SPECIFIED:		APVD D.YI 22NOV2011		
0 PLC ± 1 PLC ±0.25 2 PLC ±0.13 3 PLC ± 4 PLC ± ANGLES ± FINISH SEE TABLE		PRODUCT SPEC APPLICATION SPEC SCALE: 6:1 SHEET 1 OF 1 REV C1		