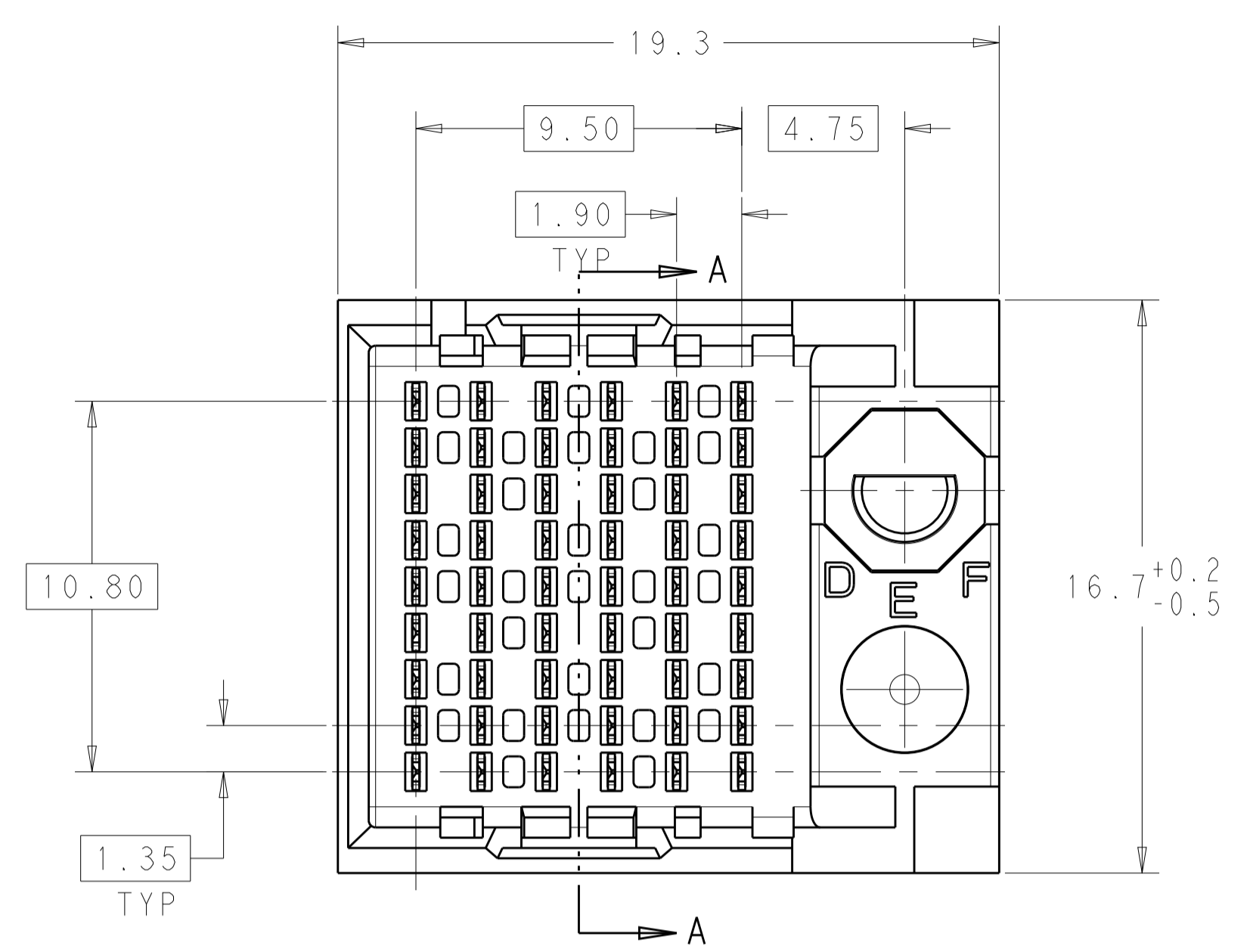
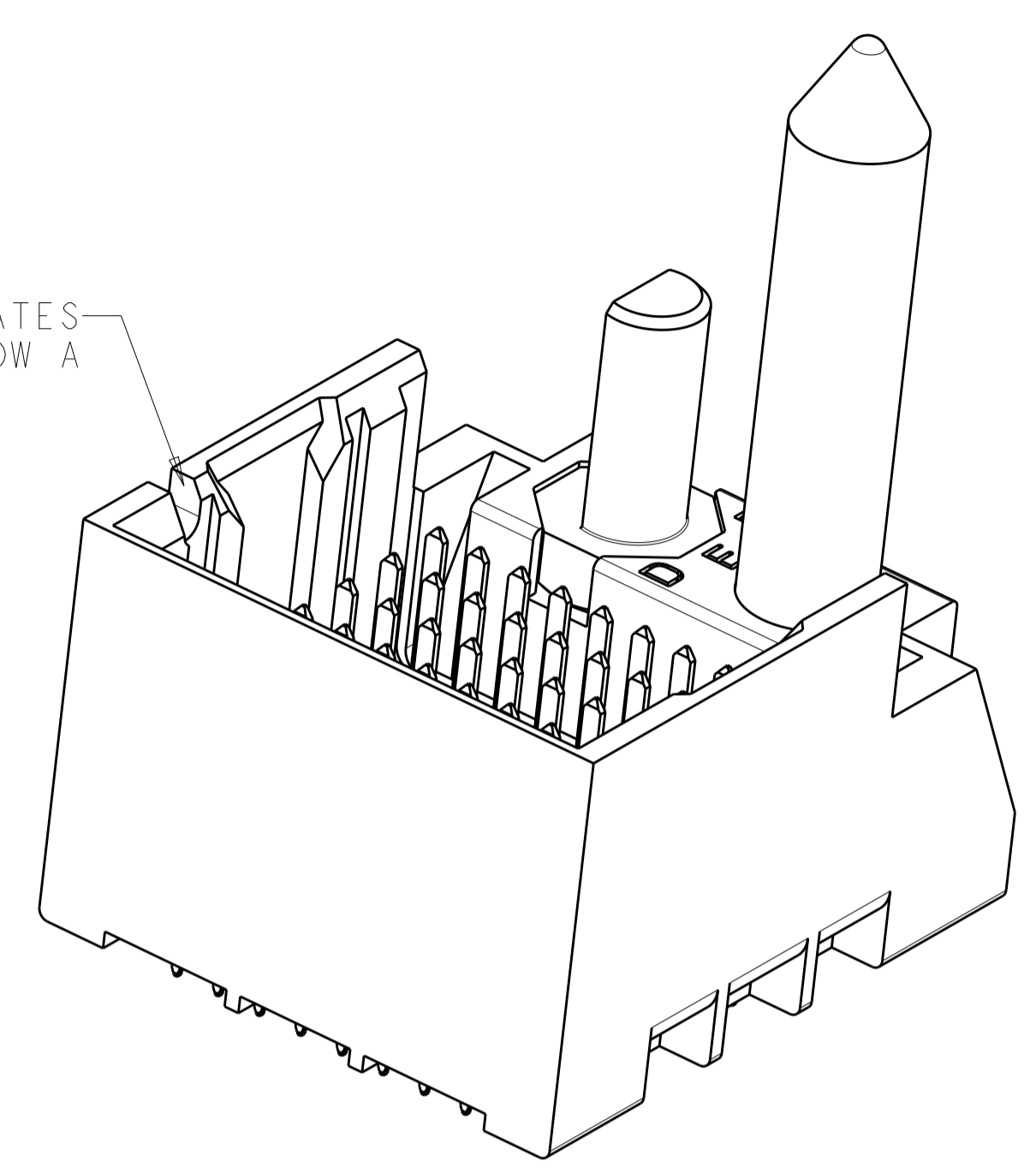


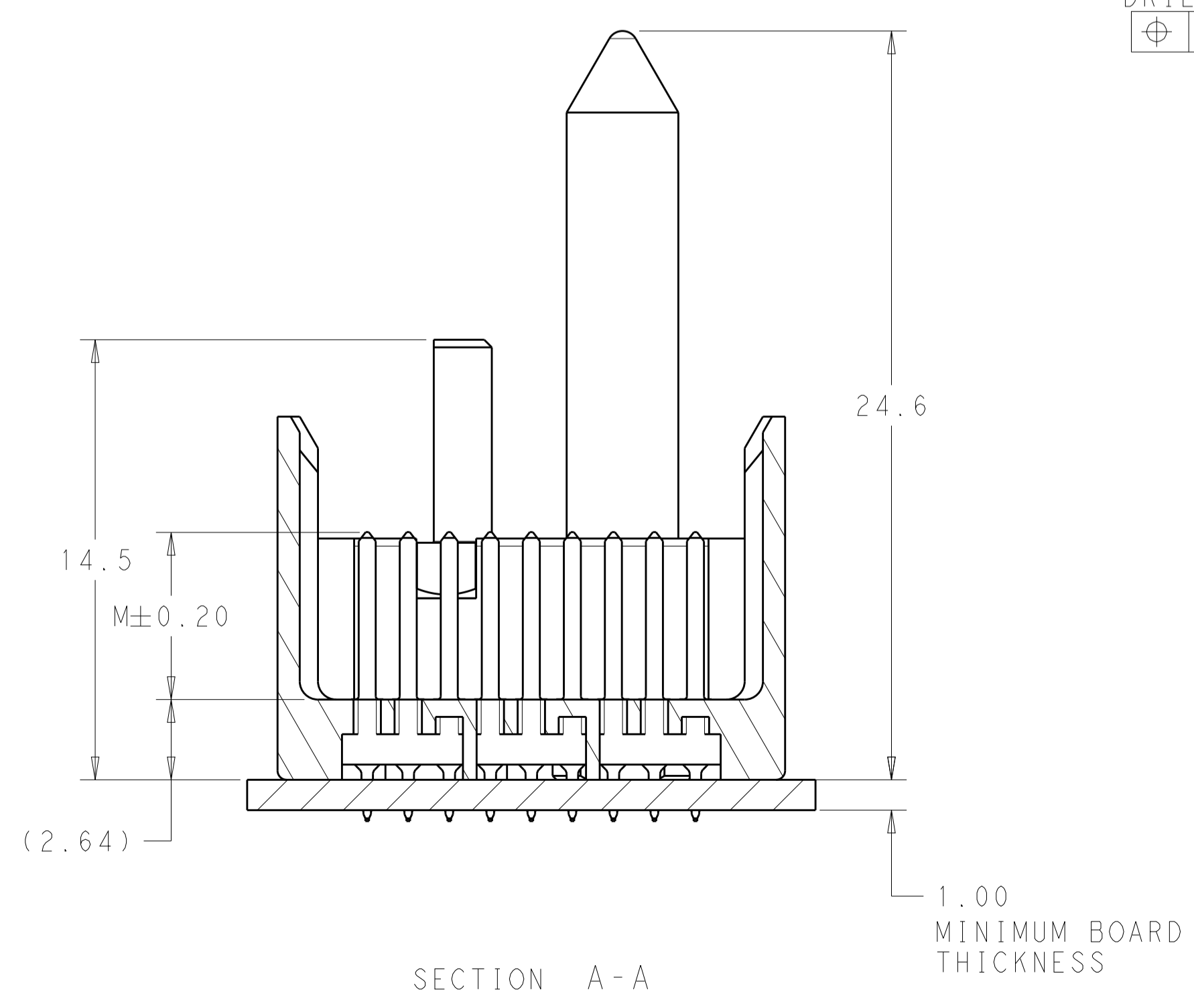
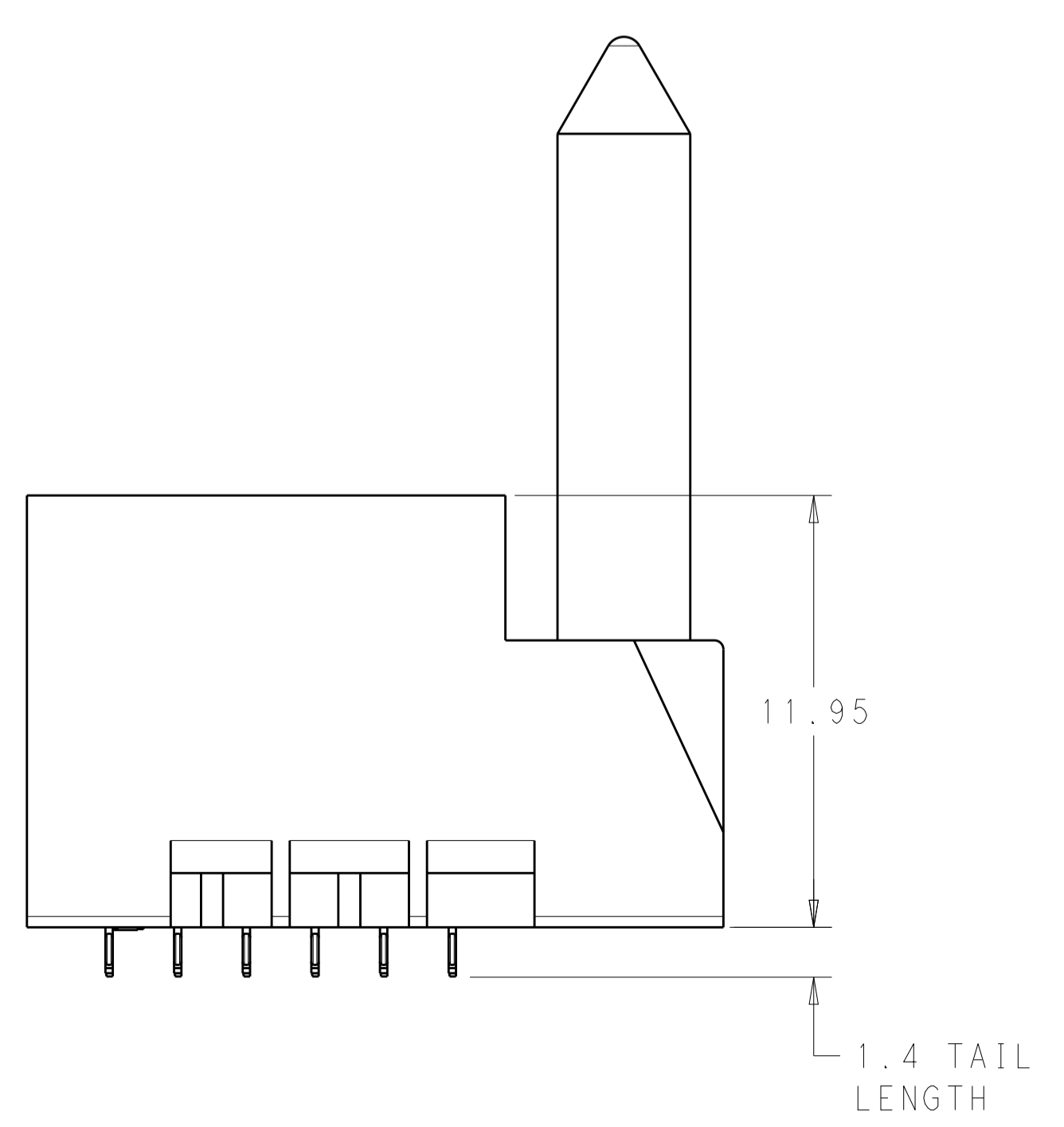
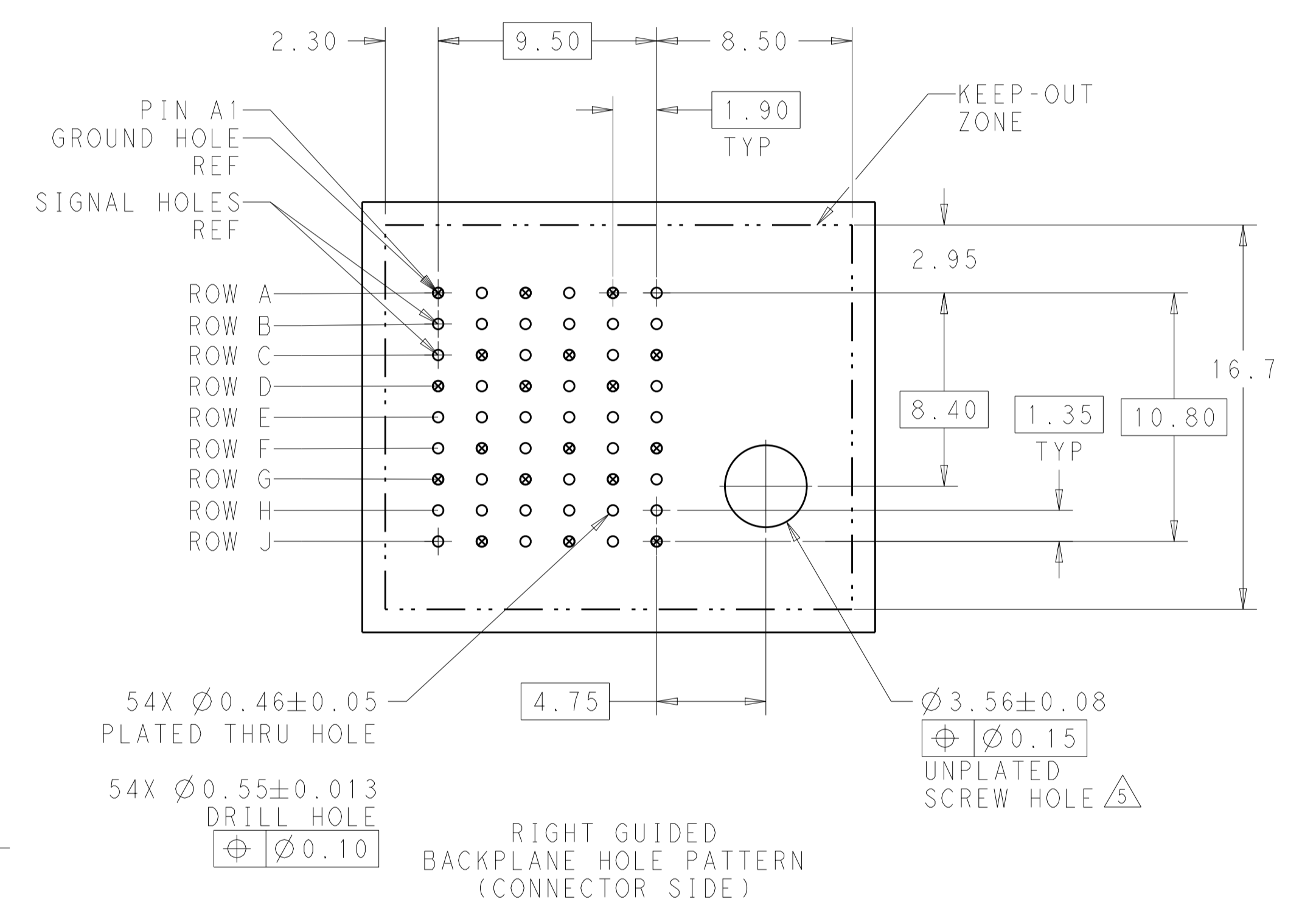
LOC		DIST		REVISIONS			
P	LTN	DATE	DWN	APVD			
A		23MAR2015	AP	DD			
		REVISED PER ECO-15-003242					



NOTCH DESIGNATES ROW A



- △ MATERIAL:
HOUSING: LCP, GLASS FILLED, UL94V-0.
TERMINALS: HIGH PERFORMANCE COPPER ALLOY.
- △ FINISH:
30μ" MIN GOLD IN CONTACT AREA. SELECTIVE TIN ON PCB TAILS, NICKEL OVERALL.
- △ FINISH:
30μ" MIN GOLD IN CONTACT AREA. SELECTIVE TIN-LEAD ON PCB TAILS, NICKEL OVERALL.
- 4. SCREWS PACKAGED IN END OF PACKAGING TUBE.
- △ FOR GROUNDED GUIDE PIN USE $\varnothing 3.56 \pm 0.08$ PTH, $\varnothing 3.66$ DRILL, AND $\varnothing 6.5$ PAD.
- 6. KEYING PIN SHOWN IN POSITION A, SEE KEYING CHART ON SHEET 2 FOR OTHER POSITIONS.

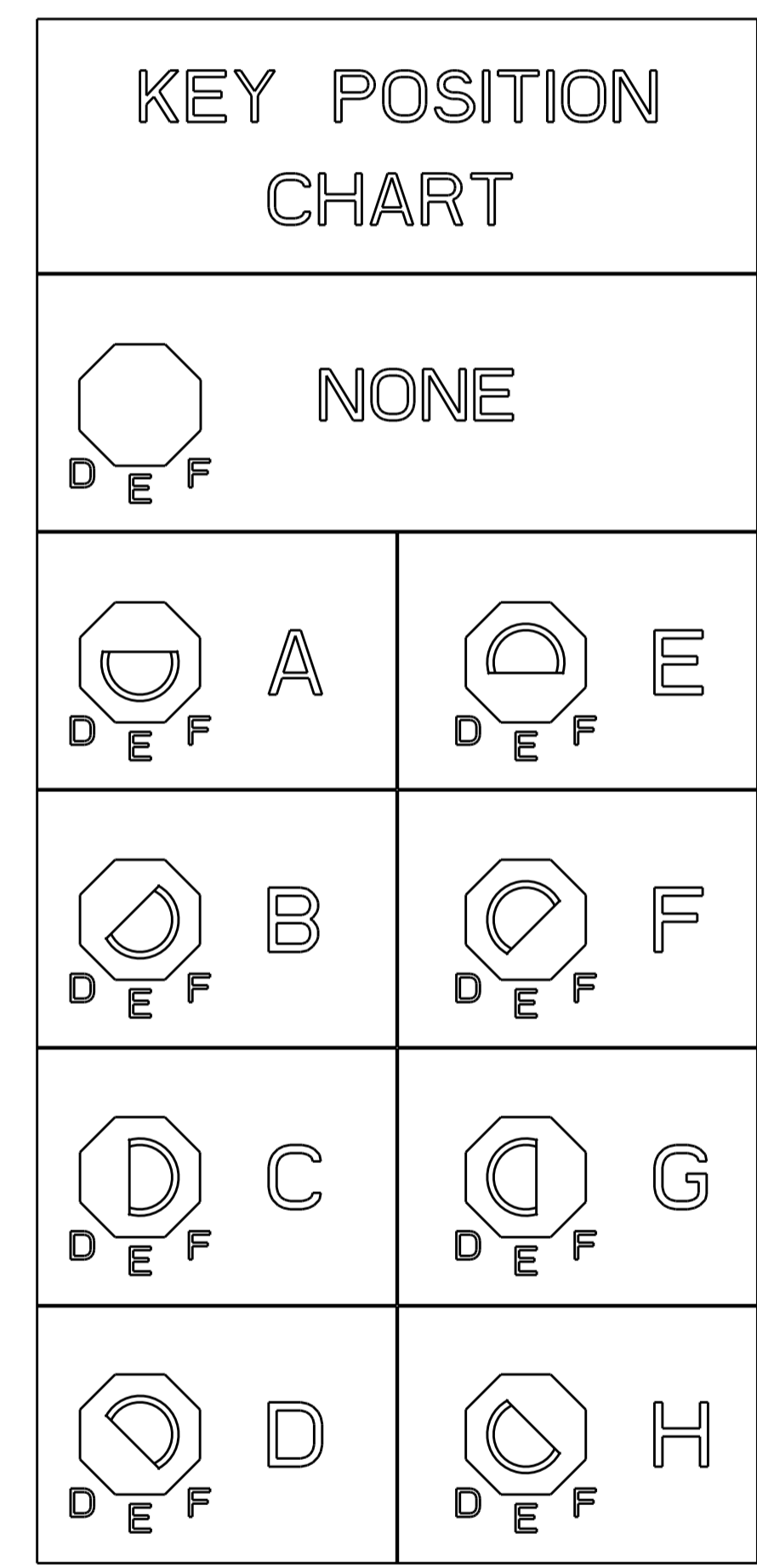


THIS DRAWING IS A CONTROLLED DOCUMENT.		DWN: KIRAN HOLAL 25JAN2013	TE Connectivity
DIMENSIONS: mm		CHK: D. DIXON 25JAN2013	
TOLERANCES UNLESS OTHERWISE SPECIFIED:		APVD: D. DIXON 25JAN2013	NAME: IMPACT, 3 PAIR, 6 COLUMN, HEADER RIGHT GUIDED, LEFT END WALL SIGNAL MODULE, 0.46 PTH
0 PLC	±	PRODUCT SPEC	SIZE: CAGE CODE DRAWING NO
1 PLC	±0.25	APPLICATION SPEC	A100779C=2132532
2 PLC	±0.13	WEIGHT	RESTRICTED TO
3 PLC	±	Customer Drawing	SCALE: 6:1 SHEET 1 OF 2 REV A
4 PLC	±		
ANGLES	±		
FINISH	SEE TABLE		

LOC		DIST		REVISIONS			
AD	00	P	LTN	DESCRIPTION	DATE	DWN	APVD
		-		SEE SHEET 1		-	-

3	H	5.5	8-2132532-6
3	H	4.9	8-2132532-5
3	H	4.5	8-2132532-4
2	H	5.5	8-2132532-3
2	H	4.9	8-2132532-2
2	H	4.5	8-2132532-1
3	G	5.5	7-2132532-6
3	G	4.9	7-2132532-5
3	G	4.5	7-2132532-4
2	G	5.5	7-2132532-3
2	G	4.9	7-2132532-2
2	G	4.5	7-2132532-1
3	F	5.5	6-2132532-6
3	F	4.9	6-2132532-5
3	F	4.5	6-2132532-4
2	F	5.5	6-2132532-3
2	F	4.9	6-2132532-2
2	F	4.5	6-2132532-1
3	E	5.5	5-2132532-6
3	E	4.9	5-2132532-5
3	E	4.5	5-2132532-4
2	E	5.5	5-2132532-3
2	E	4.9	5-2132532-2
2	E	4.5	5-2132532-1
3	D	5.5	4-2132532-6
3	D	4.9	4-2132532-5
3	D	4.5	4-2132532-4
2	D	5.5	4-2132532-3
2	D	4.9	4-2132532-2
2	D	4.5	4-2132532-1
3	C	5.5	3-2132532-6
3	C	4.9	3-2132532-5
3	C	4.5	3-2132532-4
2	C	5.5	3-2132532-3
2	C	4.9	3-2132532-2
2	C	4.5	3-2132532-1
3	B	5.5	2-2132532-6
3	B	4.9	2-2132532-5
3	B	4.5	2-2132532-4
2	B	5.5	2-2132532-3
2	B	4.9	2-2132532-2
2	B	4.5	2-2132532-1
3	A	5.5	1-2132532-6
3	A	4.9	1-2132532-5
3	A	4.5	1-2132532-4
2	A	5.5	1-2132532-3
2	A	4.9	1-2132532-2
2	A	4.5	1-2132532-1
3	-	5.5	2132532-6
3	-	4.9	2132532-5
3	-	4.5	2132532-4
2	-	5.5	2132532-3
2	-	4.9	2132532-2
2	-	4.5	2132532-1
FINISH	KEY POSITION	DIM M	PART NUMBER

REFER TO WWW.TE.COM
FOR PRODUCT AVAILABILITY



THIS DRAWING IS A CONTROLLED DOCUMENT.		DWN: KIRAN HOLAL 25JAN2013	TE Connectivity
DIMENSIONS: mm		CHK: D. DIXON 25JAN2013	
TOLERANCES UNLESS OTHERWISE SPECIFIED:		APVD: D. DIXON 25JAN2013	NAME: IMPACT, 3 PAIR, 6 COLUMN, HEADER RIGHT GUIDED, LEFT END WALL SIGNAL MODULE, 0.46 PTH
0 PLC ±0.25		PRODUCT SPEC	
1 PLC ±0.13		APPLICATION SPEC	SIZE: CAGE CODE DRAWING NO
2 PLC ±		RESTRICTED TO	A100779C=2132532
3 PLC ±		WEIGHT	Customer Drawing
4 PLC ±		SCALE	5:1
ANGLES ±		SHEET	2 OF 2
FINISH SEE TABLE		REV	A