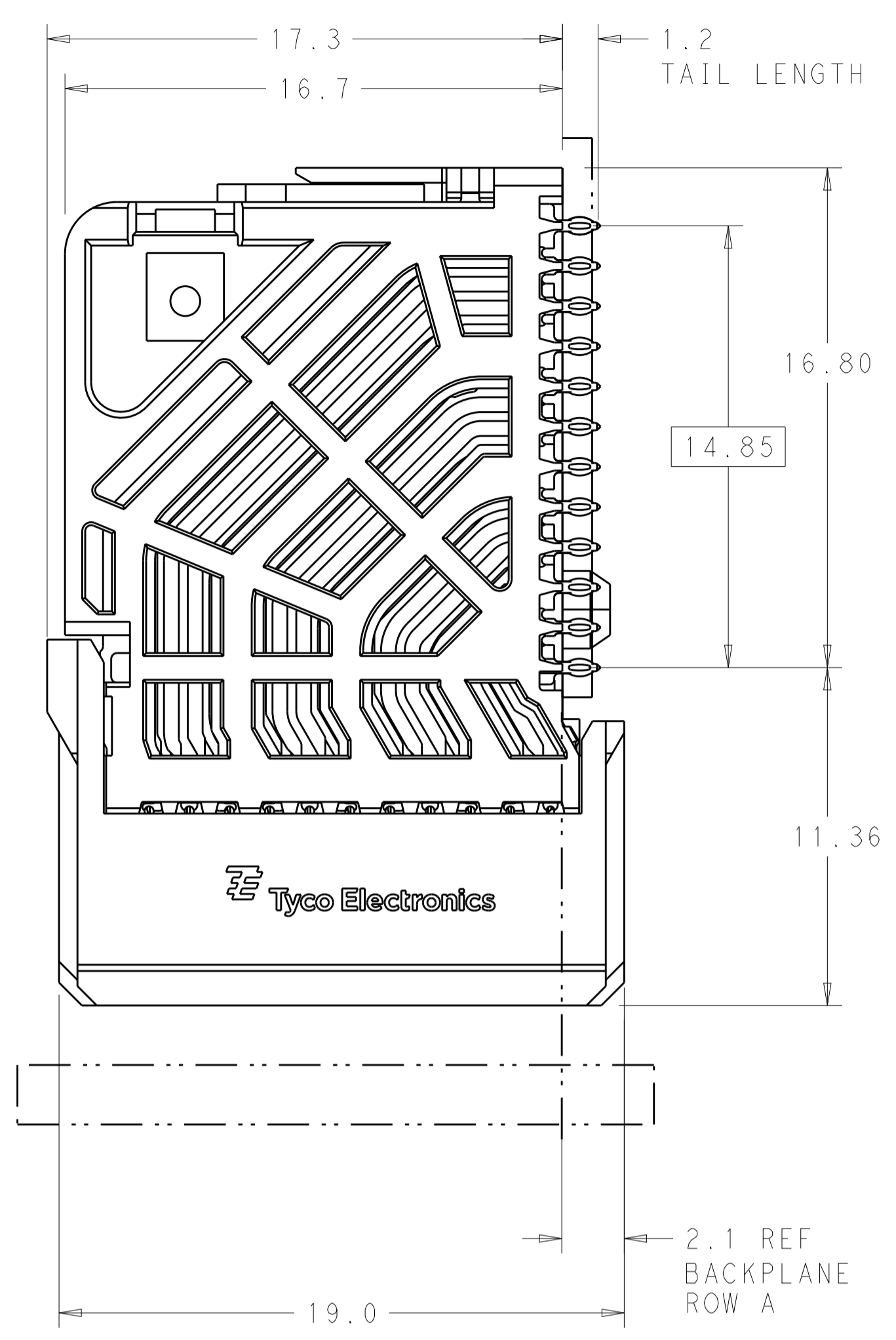
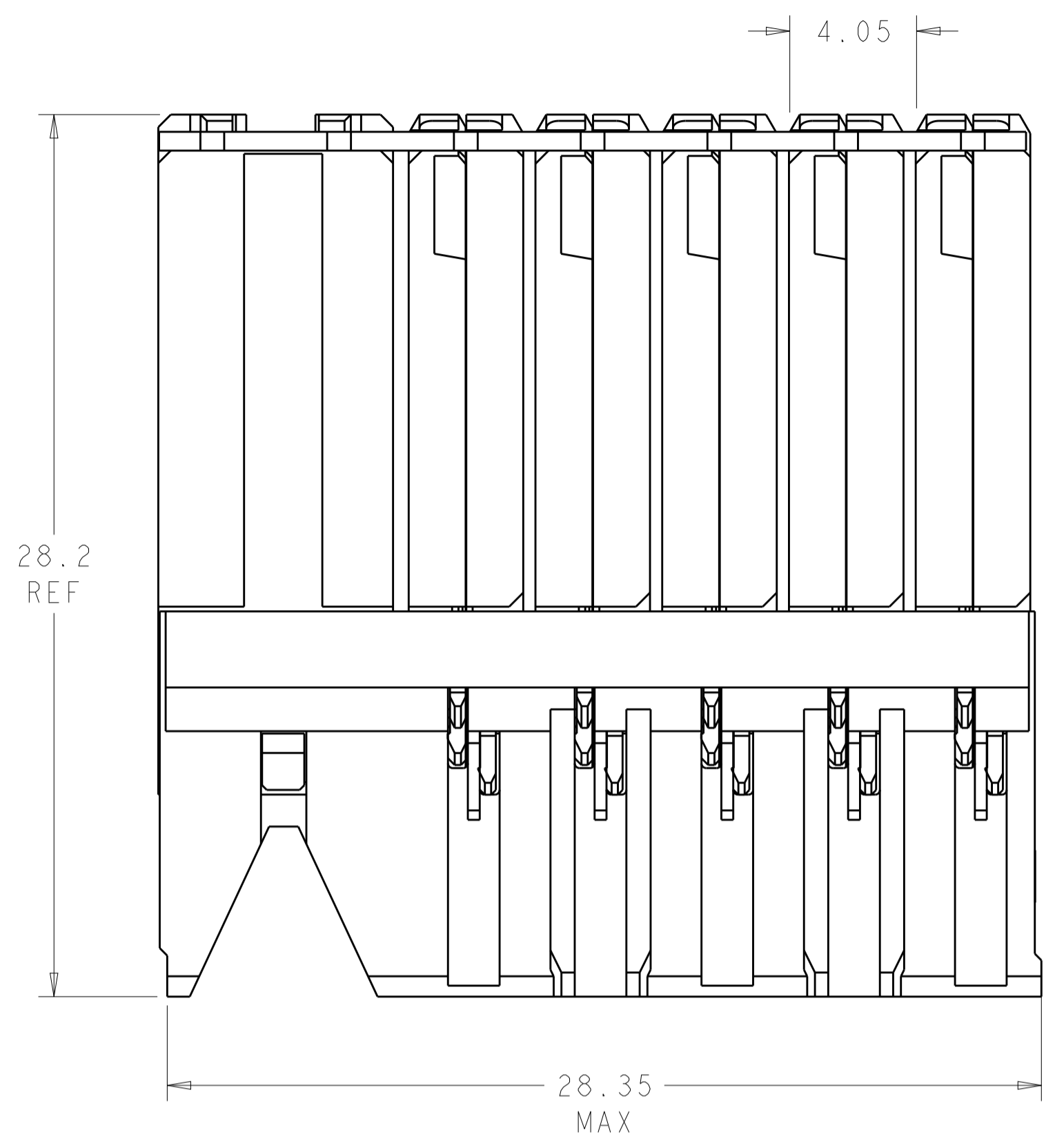
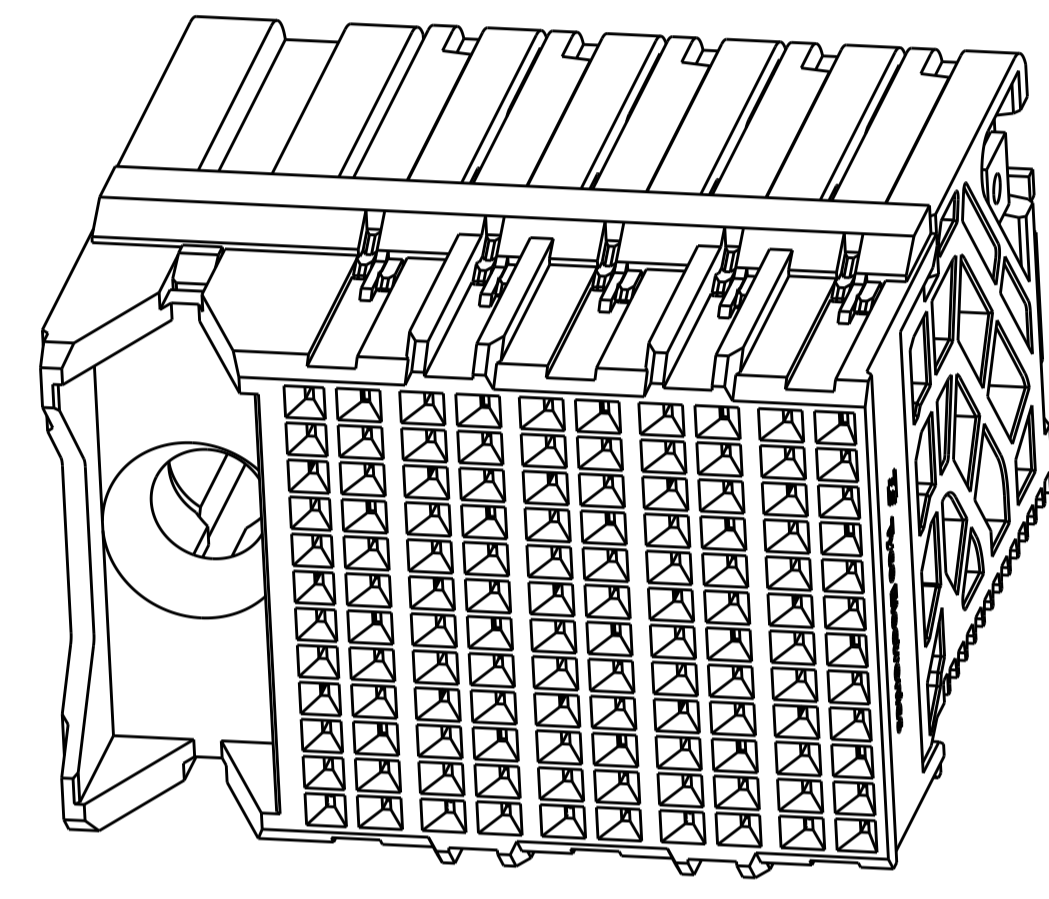


LOC		DIST		REVISIONS			
AD	00	P	LTN	DESCRIPTION	DATE	DWN	APVD
		A		DRAWING CREATED BY AUTOMATION PROGRAM	27MAY2015	AP	DD

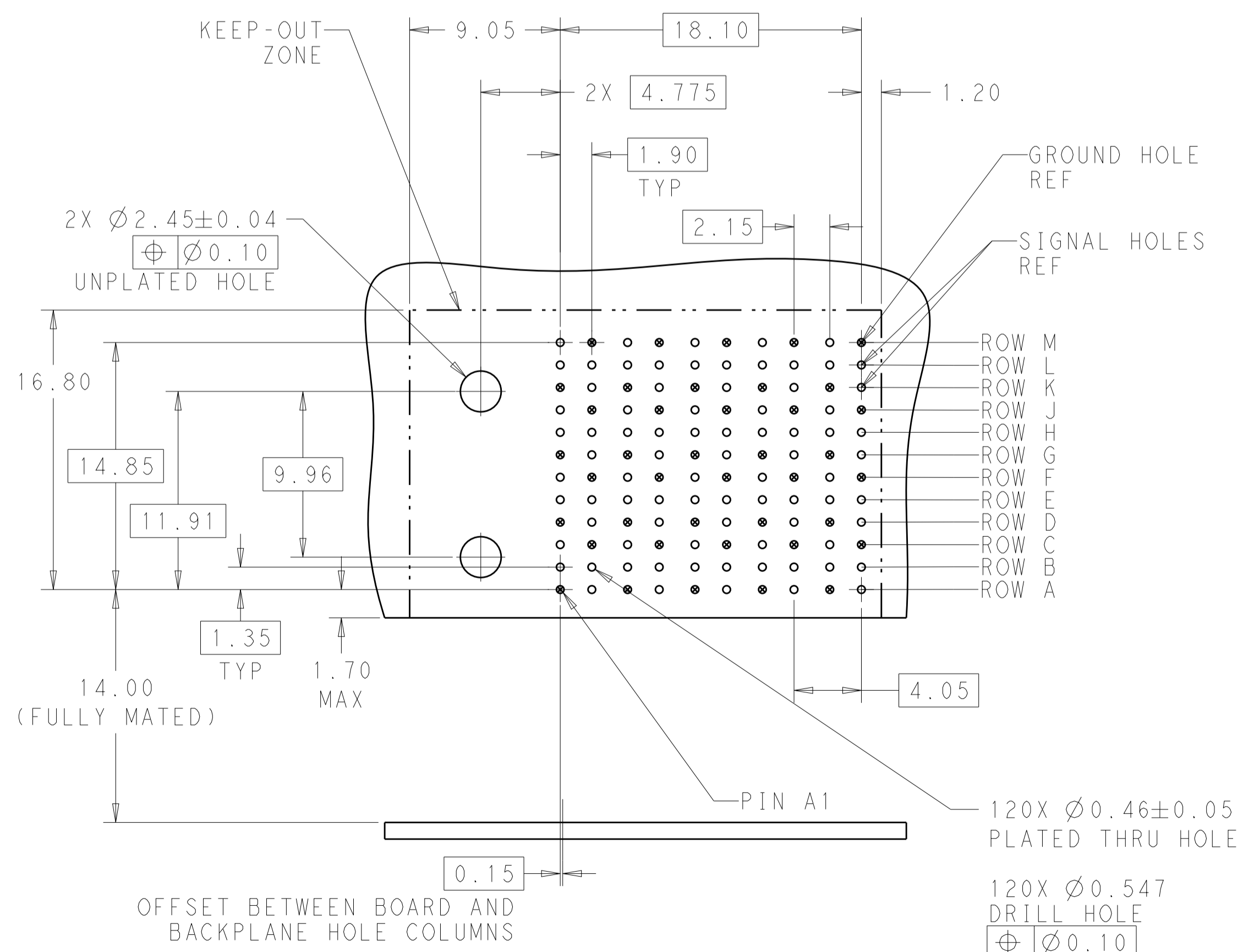
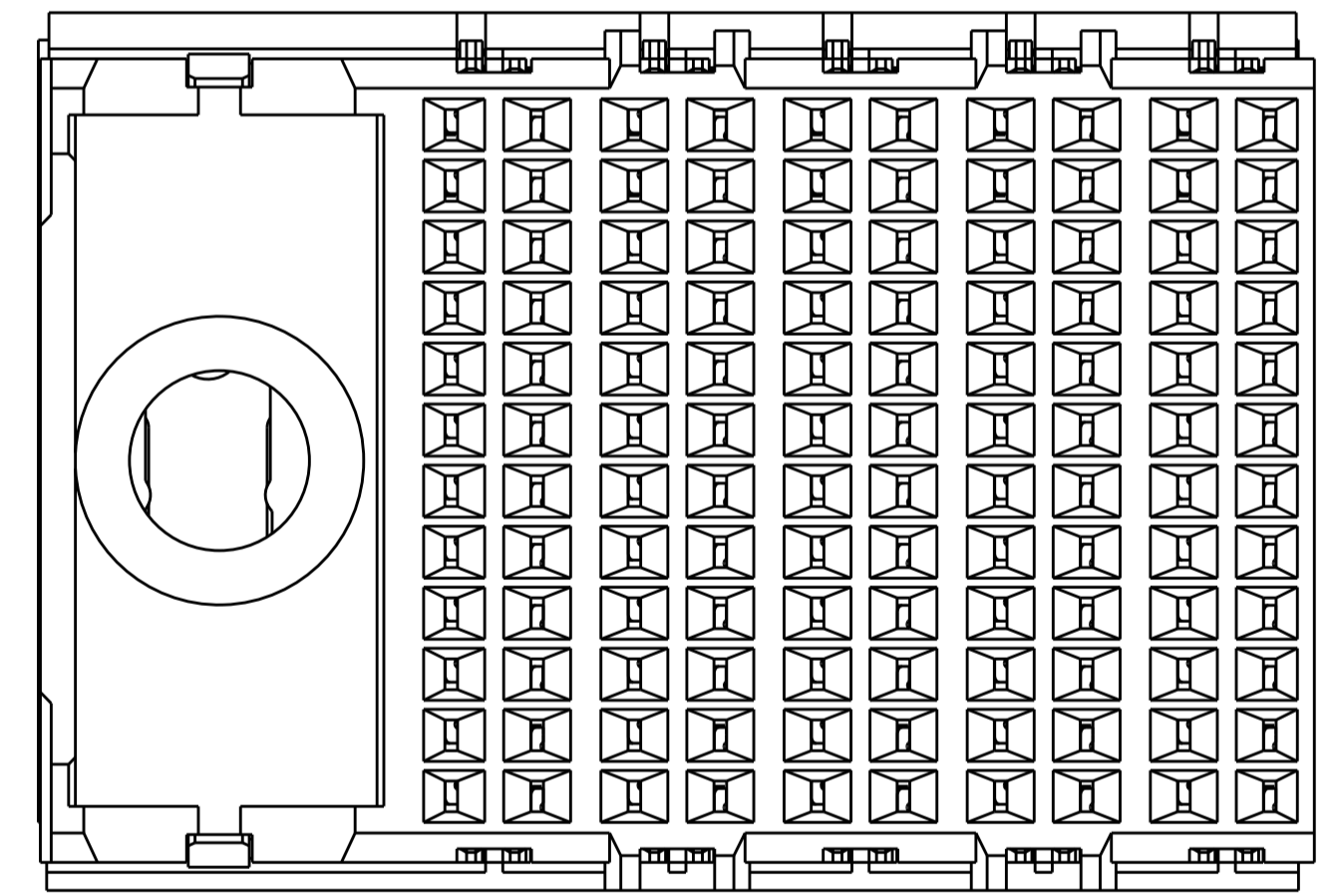


- ⚠ MATERIAL:  
HOUSING: LCP, GLASS FILLED, UL94V-0.  
TERMINALS: HIGH PERFORMANCE COPPER ALLOY.
- ⚠ FINISH:  
30μ" SELECTIVE GOLD IN CONTACT AREA. SELECTIVE TIN ON PCB TAILS, NICKEL OVERALL.
- 3. CONNECTORS SUPPLIED WITH MOUNTING SCREWS.



SCALE 4:1

REFER TO WWW.TE.COM FOR PRODUCT AVAILABILITY



RECOMMENDED PCB LAYOUT  
 MIN BOARD THICKNESS 1.0

NONE	⚠	2132485-1
KEY POSITION	FINISH	PART NUMBER
<b>STE</b> TE Connectivity		
DWN AJITH PAI 27MAY2015 CHK D. DIXON 27MAY2015 APVD D. DIXON 27MAY2015		NAME: IMPACT, ORTHOGONAL, 4 PAIR, DAUGHTERCARD, 10 COLUMN, LEFT GUIDED, SIGNAL MODULE, 0.46 EYELET PRODUCT SPEC: - APPLICATION SPEC: - SIZE: - CAGE CODE: - DRAWING NO: A100779 ©=2132485
MATERIAL: SEE TABLE		WEIGHT: -
CUSTOMER DRAWING		SCALE: 6:1 SHEET 1 OF 1 REV A