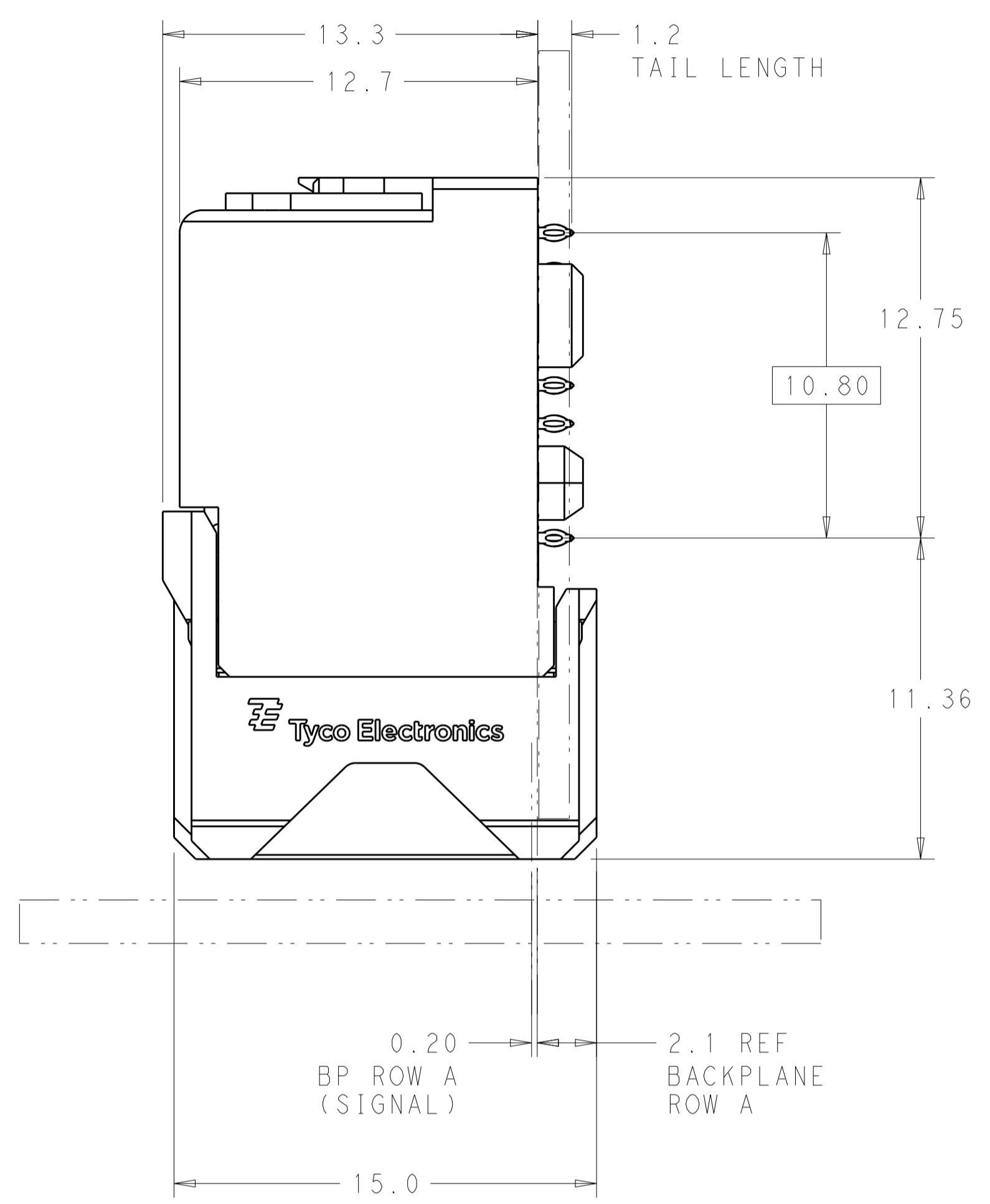
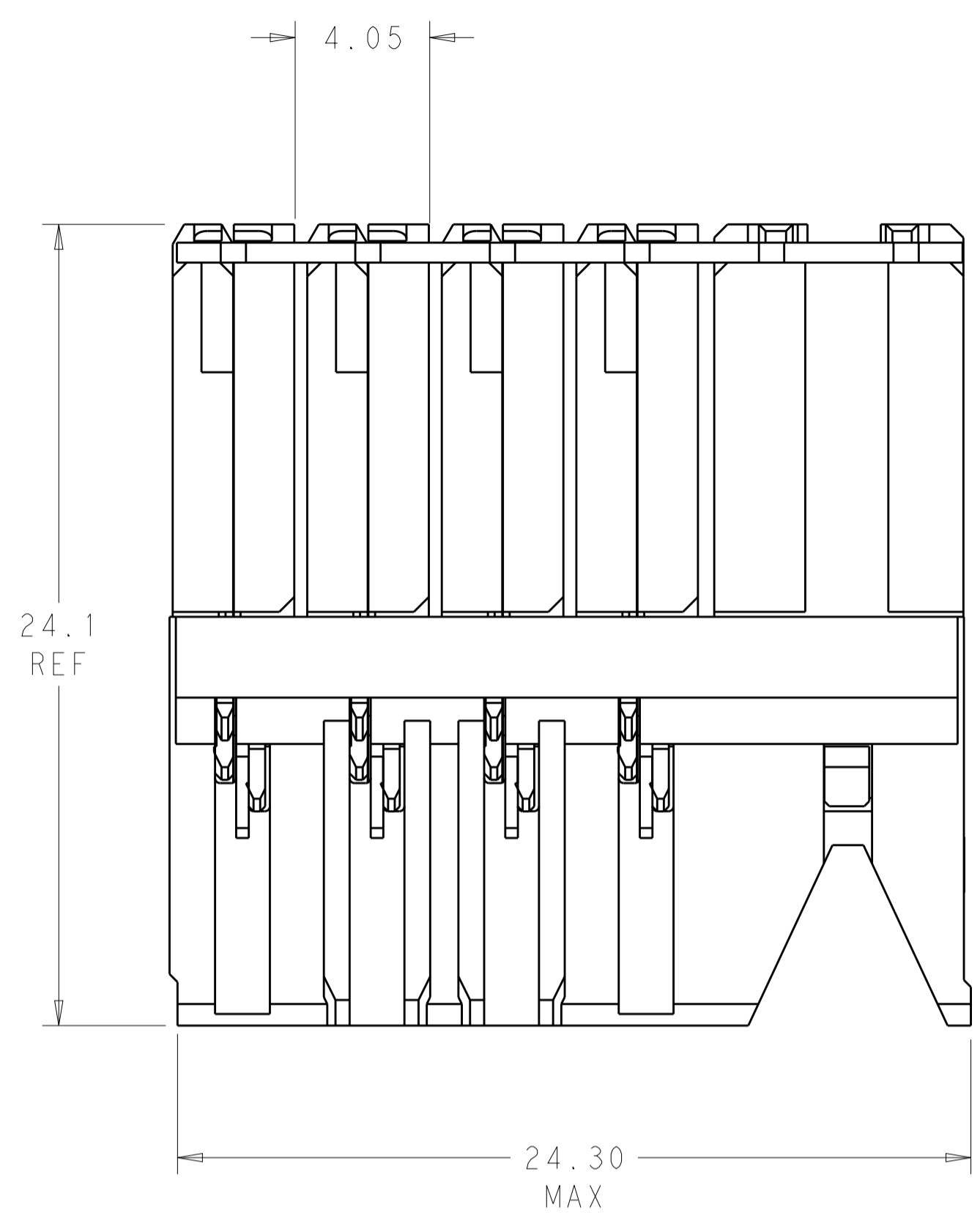
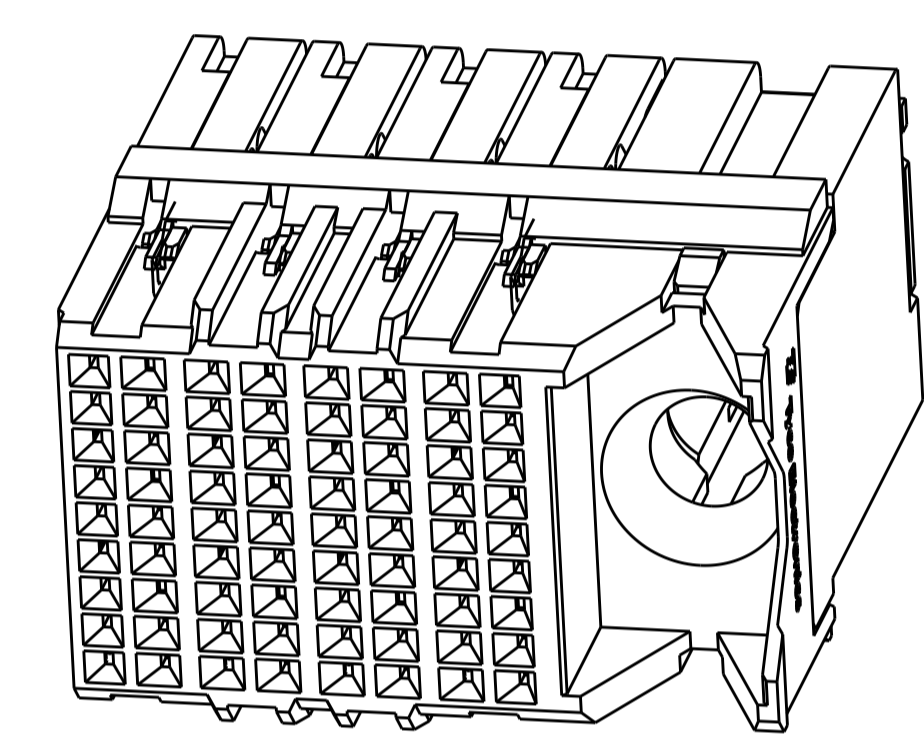


LOC		DIST		REVISIONS			
AD	00	P	LTN	DESCRIPTION	DATE	DWN	APVD
		A		REVISED PER ECO-15-003242	23MAR2015	AP	DD

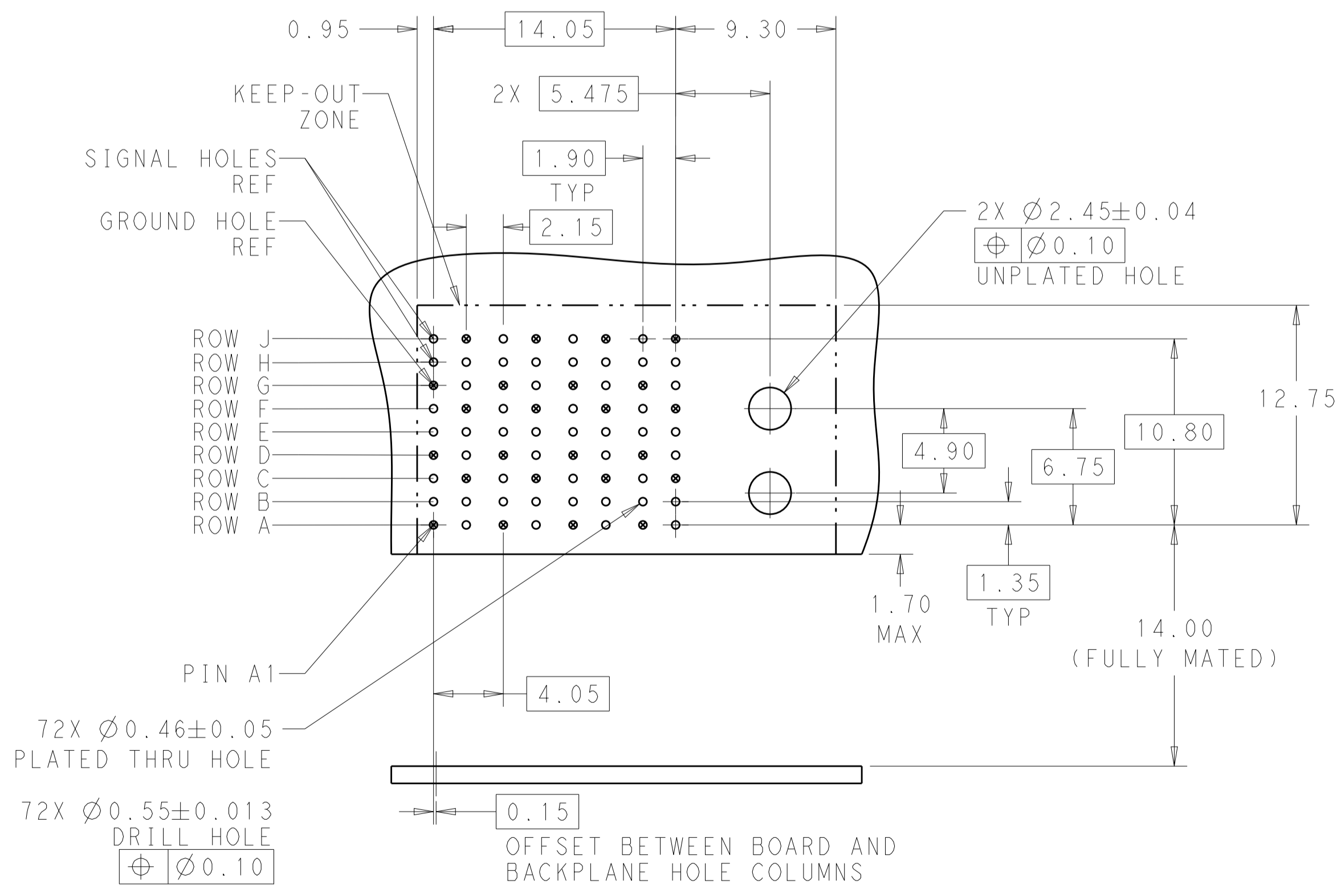
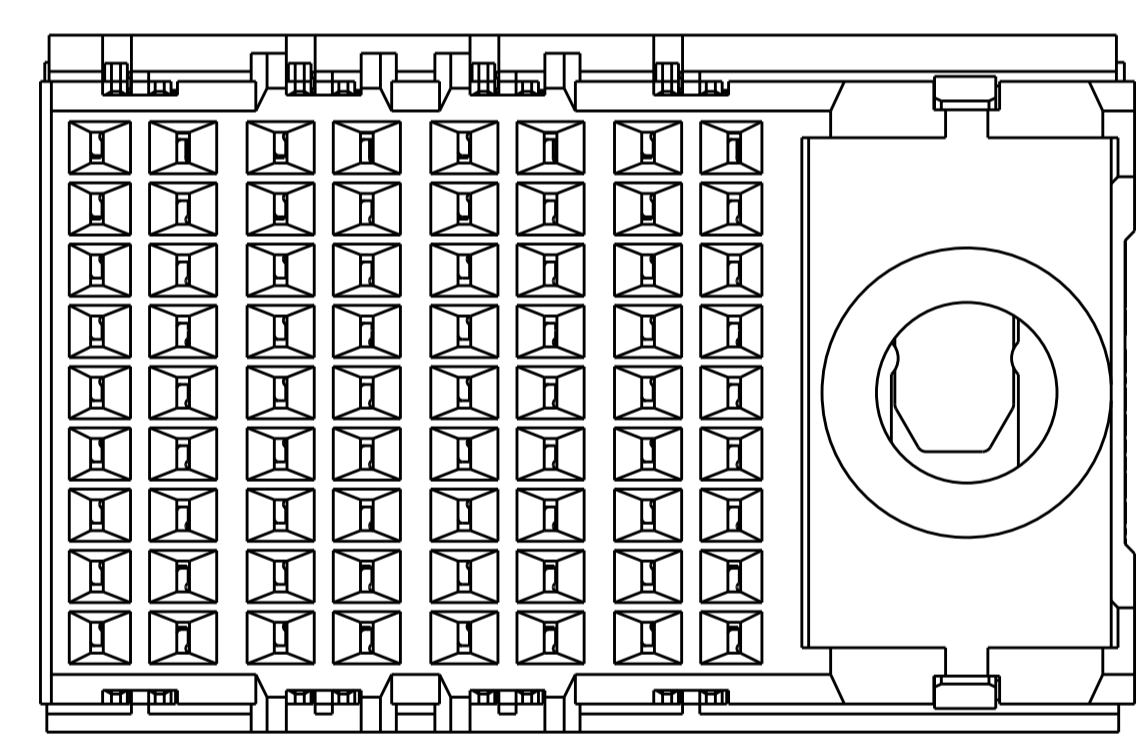


- 1 MATERIAL:
HOUSING: LCP, GLASS FILLED, UL94V-0.
TERMINALS: HIGH PERFORMANCE COPPER ALLOY.
- 2 FINISH:
30µ" SELECTIVE GOLD IN CONTACT AREA. SELECTIVE TIN ON PCB TAILS, NICKEL OVERALL.
- 3 FINISH:
30µ" SELECTIVE GOLD IN CONTACT AREA. SELECTIVE TIN-LEAD ON PCB TAILS, NICKEL OVERALL.
- 4. CONNECTORS SUPPLIED WITH MOUNTING SCREWS.



SCALE 4:1

REFER TO WWW.TE.COM FOR PRODUCT AVAILABILITY



RECOMMENDED PCB LAYOUT
MIN BOARD THICKNESS 1.0

NONE	3	2132444-5
NONE	2	2132444-1
KEY POSITION	FINISH	PART NUMBER

THIS DRAWING IS A CONTROLLED DOCUMENT.		DWN J.K.SHOBER 25JAN2011	TE Connectivity
DIMENSIONS: mm		CHK D. DIXON 25JAN2011	
TOLERANCES UNLESS OTHERWISE SPECIFIED:		APVD D. DIXON 25JAN2011	NAME IMPACT, ORTHOGONAL, 3 PAIR, DAUGHTERCARD 8 COLUMN, RIGHT GUIDED, SIGNAL MODULE, 0.46 EYELET
0 PLC ± 1 PLC ±0.25 2 PLC ±0.15 3 PLC ± 4 PLC ± ANGLES ±		PRODUCT SPEC	
MATERIAL		WEIGHT	RESTRICTED TO
FINISH SEE TABLE		SIZE CAGE CODE DRAWING NO	SCALE 6:1 SHEET 1 OF 1 REV A
Customer Drawing		A1 00779C=2132444	