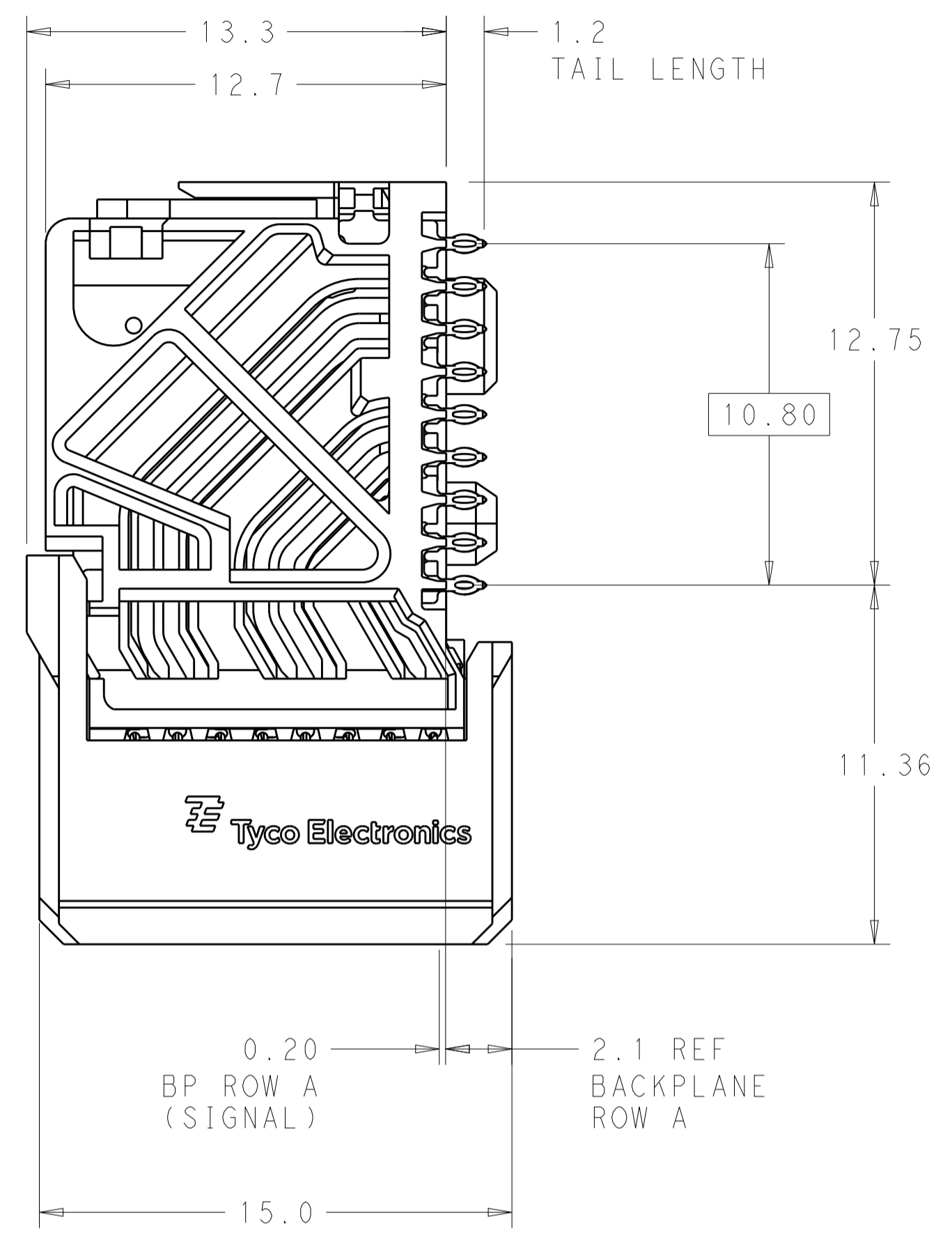
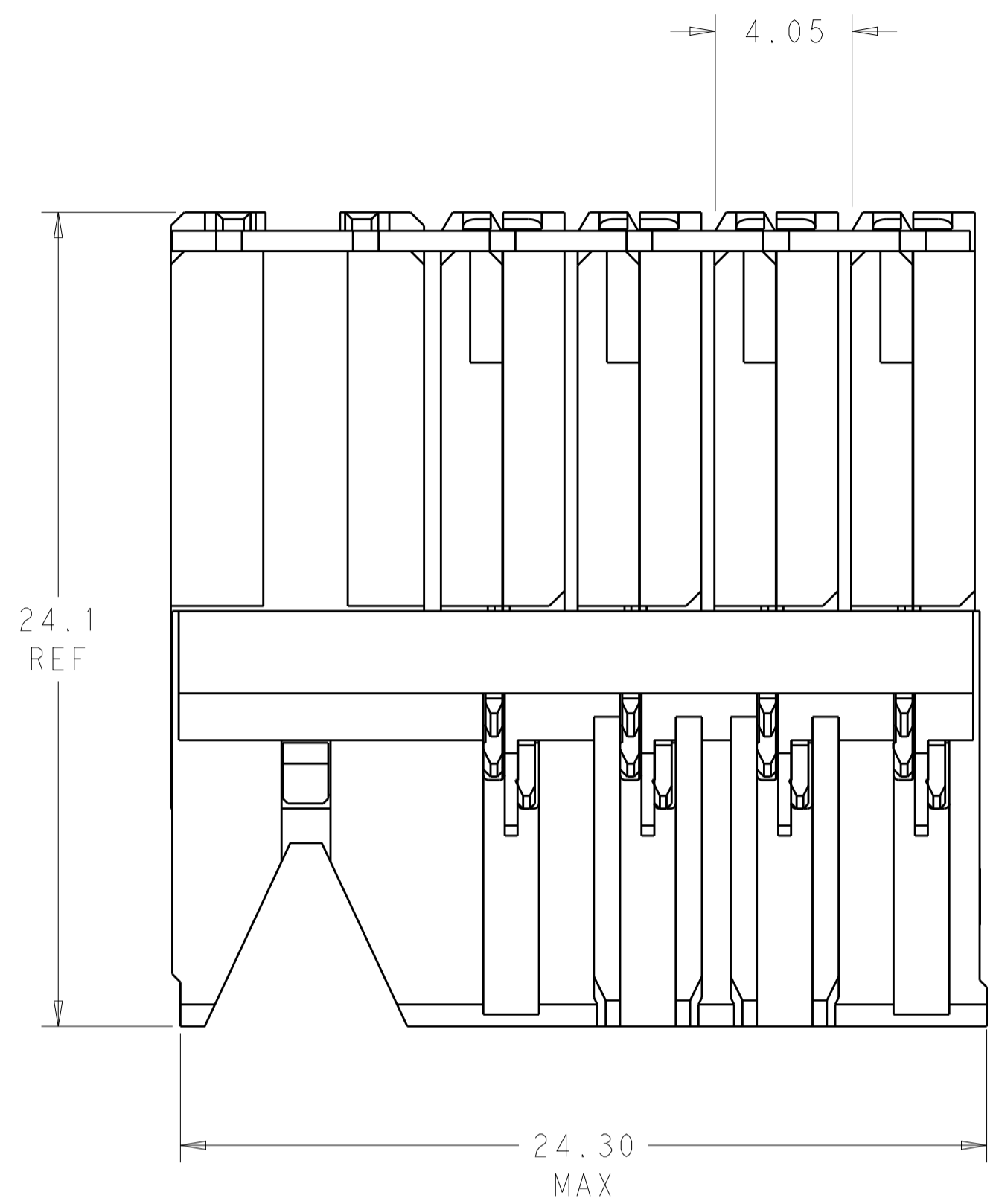
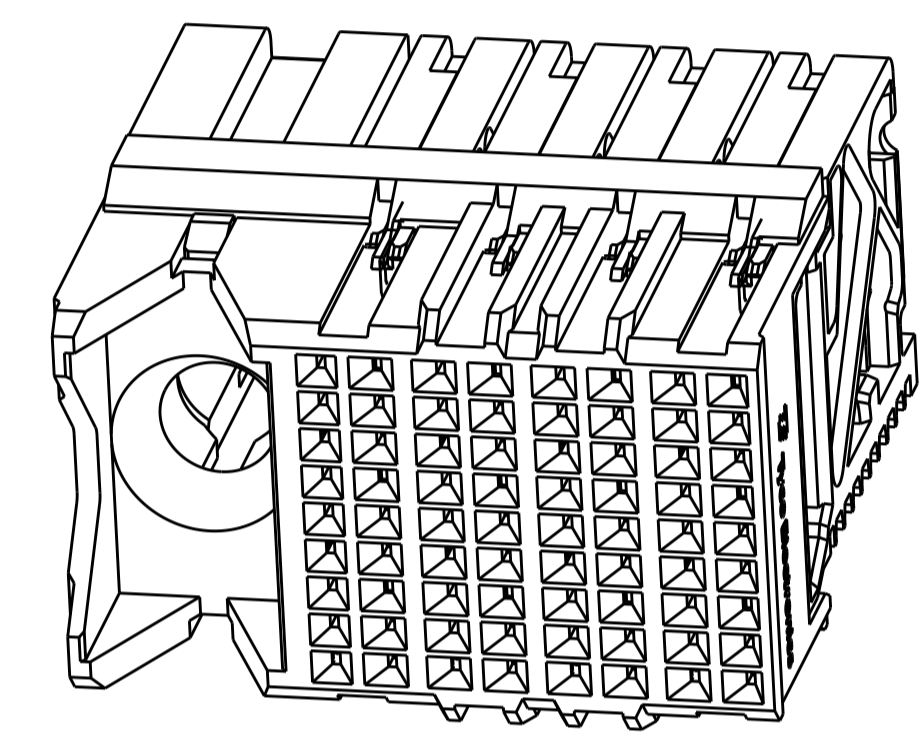


LOC	DIST	REVISIONS					
AD	00	P	LTN	DESCRIPTION	DATE	DWN	APVD
		A		REVISED PER ECO-15-003242	23MAR2015	AP	DD

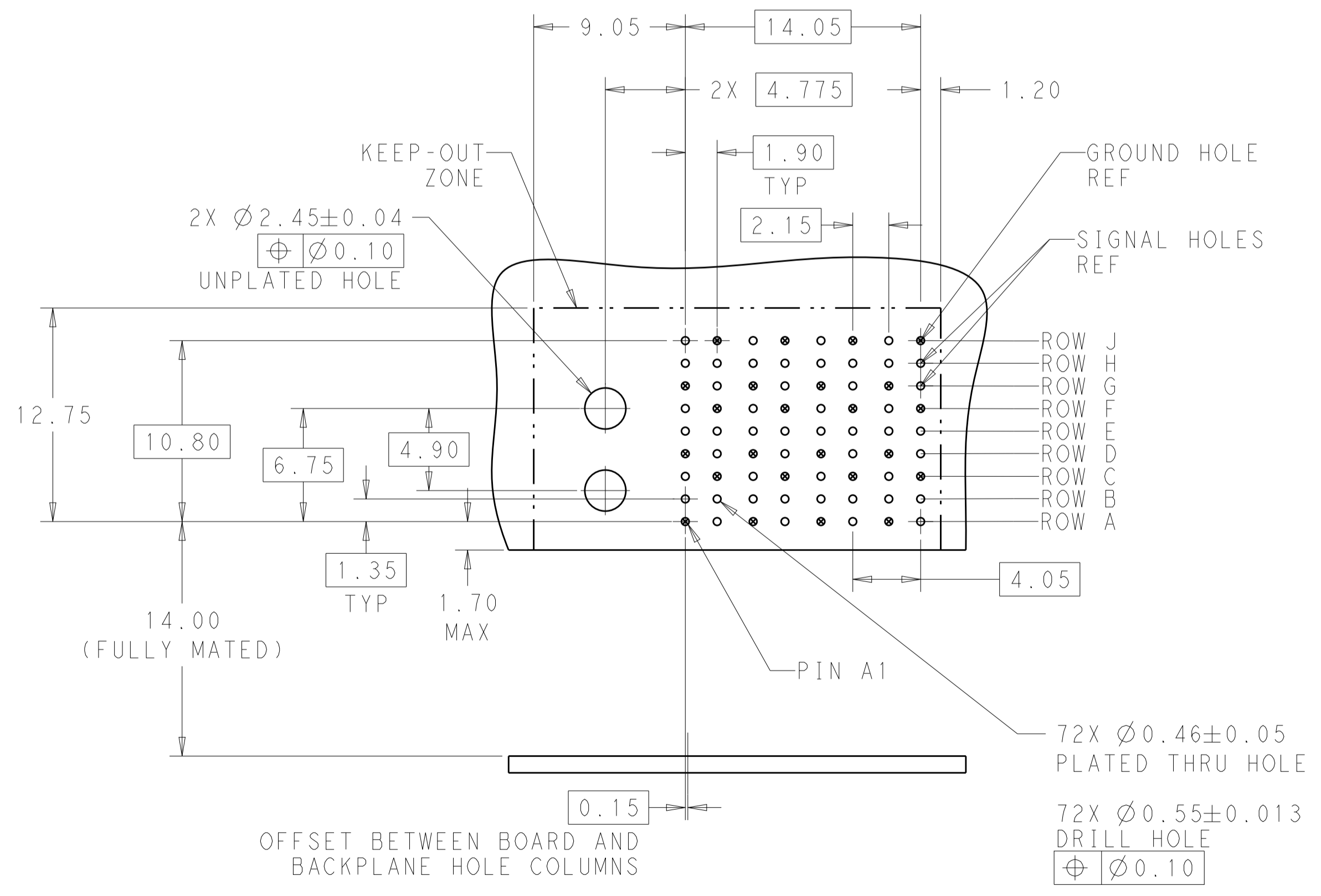
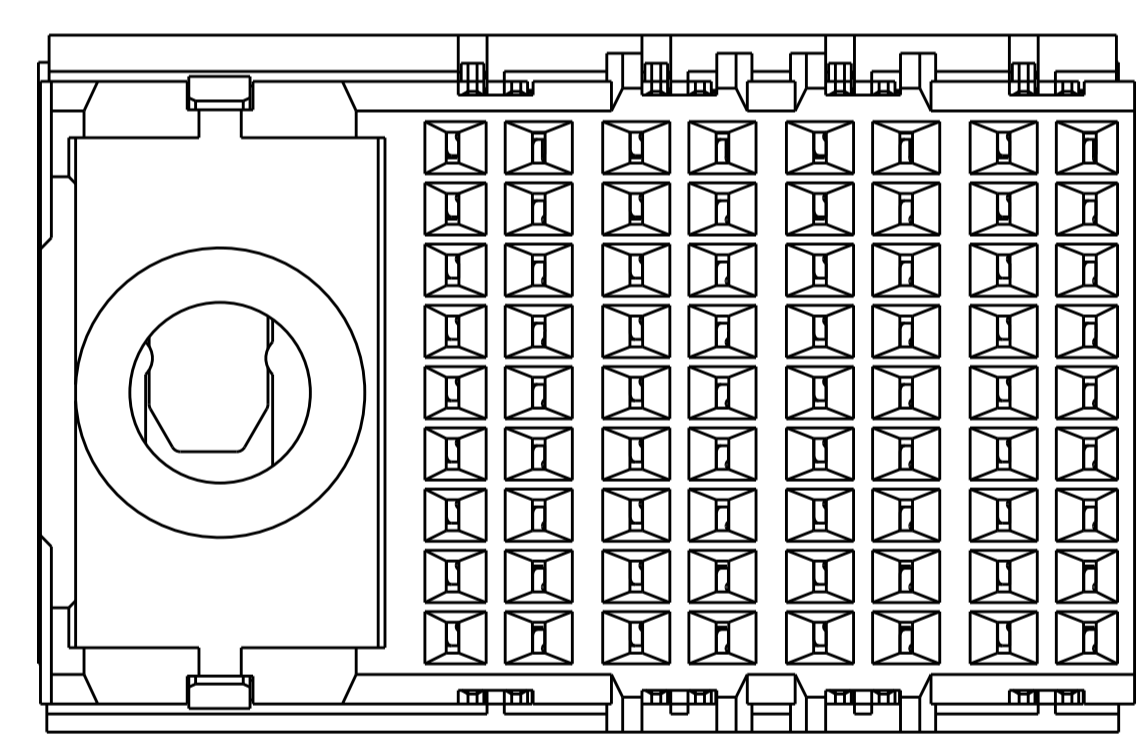


- ⚠ MATERIAL:
HOUSING: LCP, GLASS FILLED, UL94V-0.
TERMINALS: HIGH PERFORMANCE COPPER ALLOY.
- ⚠ FINISH:
30μ" SELECTIVE GOLD IN CONTACT AREA. SELECTIVE TIN ON PCB TAILS, NICKEL OVERALL.
- ⚠ FINISH:
30μ" SELECTIVE GOLD IN CONTACT AREA. SELECTIVE TIN-LEAD ON PCB TAILS, NICKEL OVERALL.



SCALE 4:1

REFER TO WWW.TE.COM FOR PRODUCT AVAILABILITY



RECOMMENDED PCB LAYOUT
 MIN BOARD THICKNESS 1.0

NONE	⚠	2132443-5
NONE	⚠	2132443-1
KEY POSITION	FINISH	PART NUMBER

THIS DRAWING IS A CONTROLLED DOCUMENT.		DWN J.K.SHOBER 25JAN2011	
DIMENSIONS: mm		CHK D. DIXON 25JAN2011	
TOLERANCES UNLESS OTHERWISE SPECIFIED:		APVD D. DIXON 25JAN2011	NAME: IMPACT, ORTHOGONAL, 3 PAIR, DAUGHTERCARD PRODUCT SPEC: 8 COLUMN, LEFT GUIDED, SIGNAL APPLICATION SPEC: MODULE, 0.46 EYELET
0 PLC ± 1 PLC ±0.25 2 PLC ±0.15 3 PLC ± 4 PLC ± ANGLES ±		SIZE: A1 CAGE CODE: 00779 DRAWING NO: 2132443	
MATERIAL: SEE TABLE		WEIGHT: -	RESTRICTED TO: -
Customer Drawing		SCALE: 6:1	SHEET: 1 OF 1 REV: A