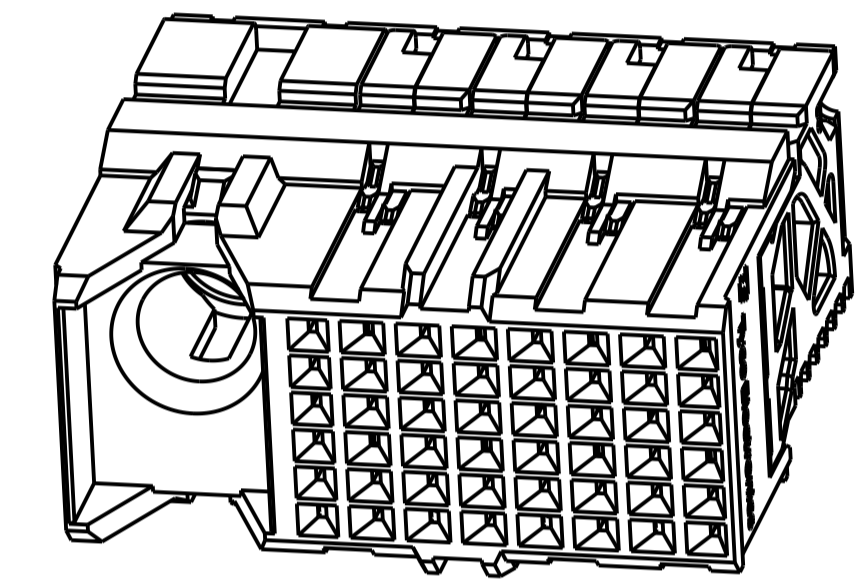
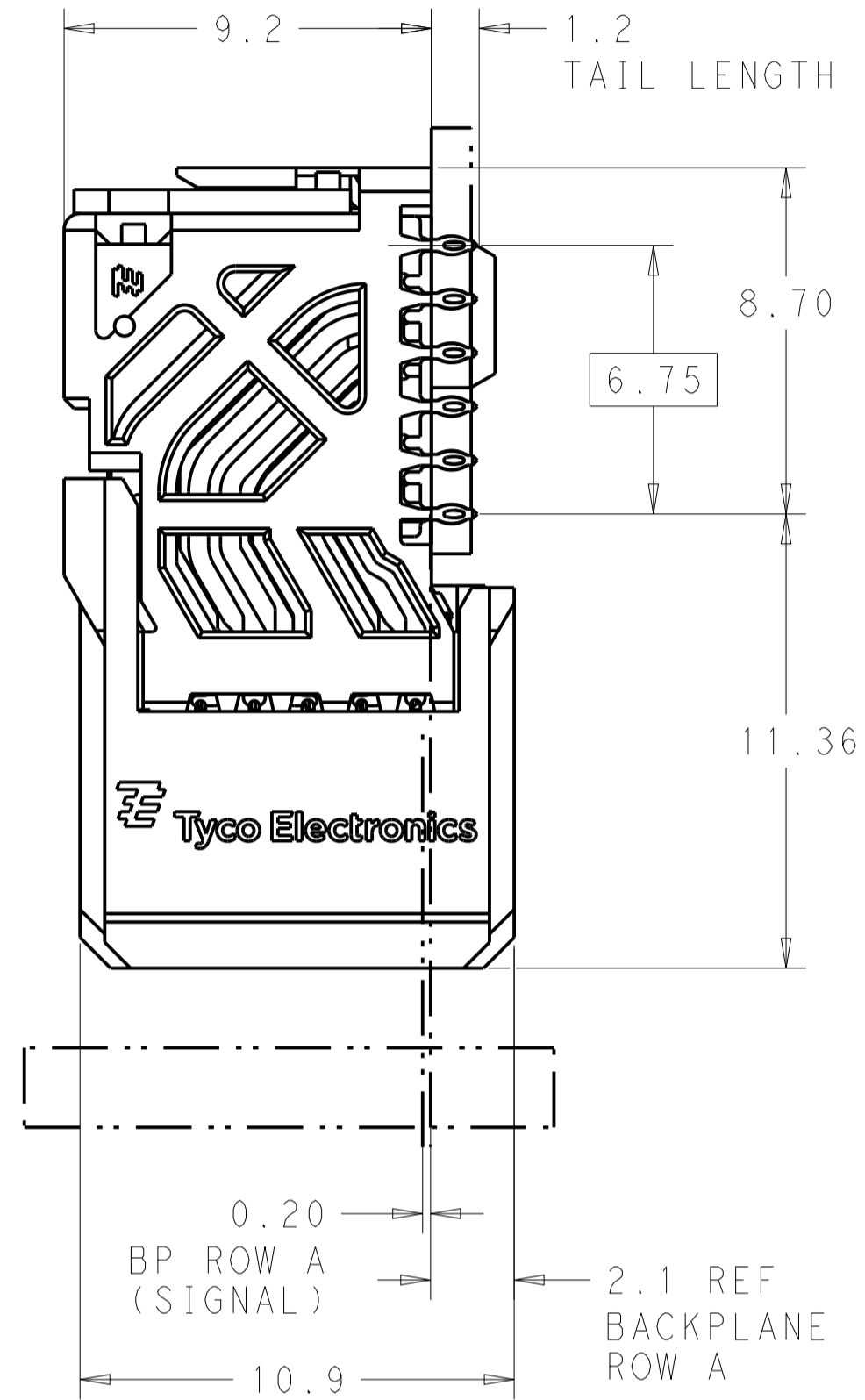
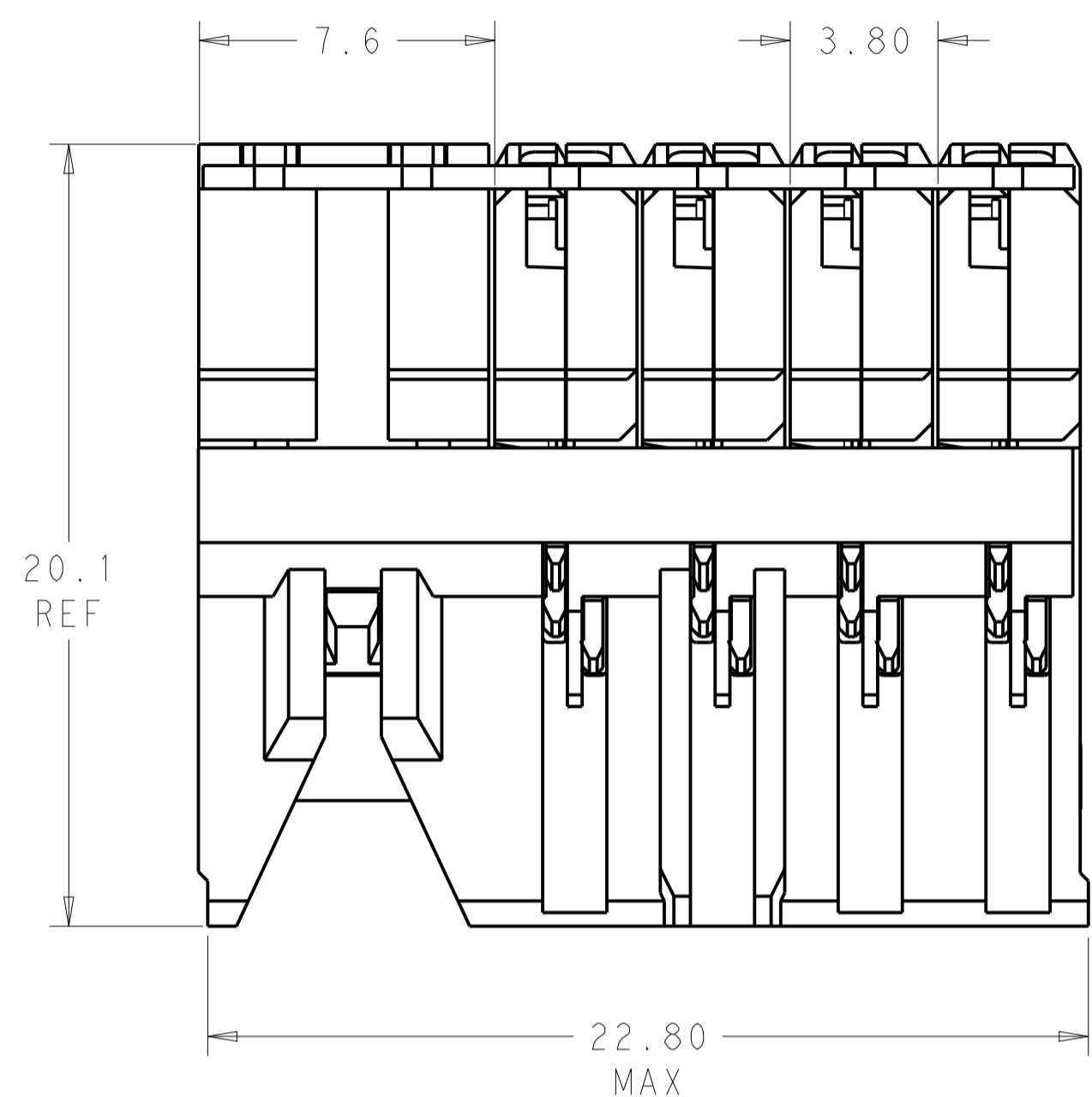


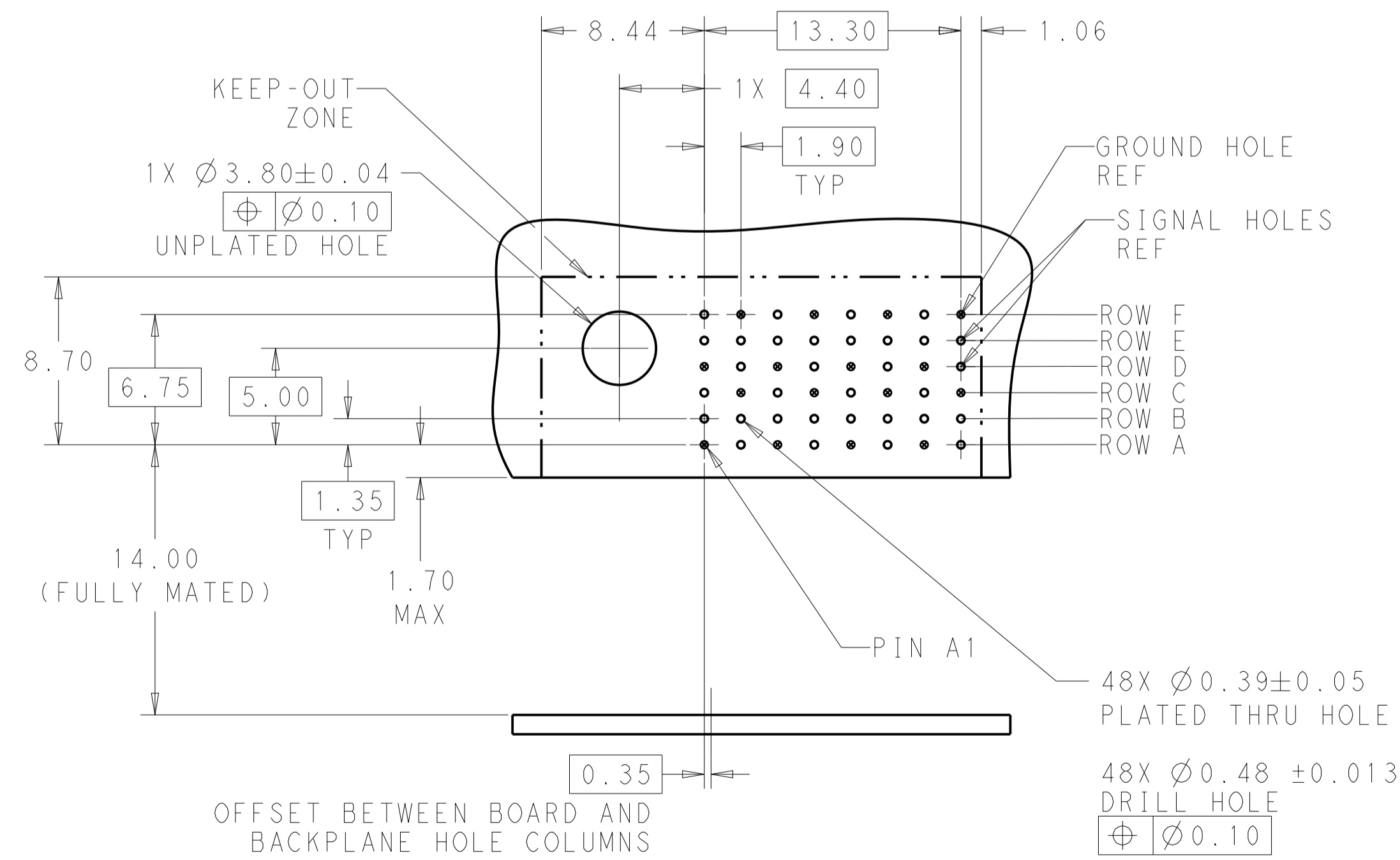
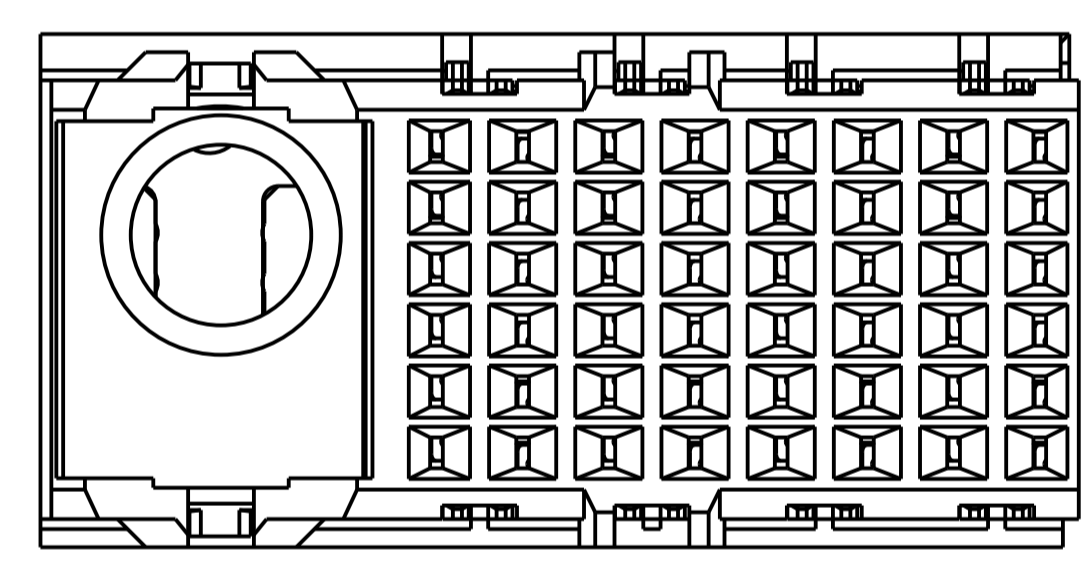
REVISIONS				
P.	LTN.	DESCRIPTION	DATE	APVD.
A		REVISED PER ECO-14-017984	03DEC2014	AP DD

- ⚠ MATERIAL:  
HOUSING: LCP, GLASS FILLED, UL94V-0.  
TERMINALS: HIGH PERFORMANCE COPPER ALLOY.
- ⚠ FINISH:  
30µ" SELECTIVE GOLD IN CONTACT AREA. SELECTIVE TIN ON PCB TAILS, NICKEL OVERALL.
- 3. CONNECTORS SUPPLIED WITH MOUNTING SCREWS.



SCALE 4:1

REFER TO WWW.TE.COM FOR PRODUCT AVAILABILITY



OFFSET BETWEEN BOARD AND BACKPLANE HOLE COLUMNS  
RECOMMENDED PCB LAYOUT  
MIN BOARD THICKNESS 1.6

NONE	⚠	2132111-1
KEY POSITION	FINISH	PART NUMBER

THIS DRAWING IS A CONTROLLED DOCUMENT.		DWN: KIRAN HOLAL 15NOV2012	
DIMENSIONS: mm		CHK: D. DIXON 15NOV2012	
TOLERANCES UNLESS OTHERWISE SPECIFIED:		APVD: D. DIXON 15NOV2012	NAME: IMPACT, 2 PAIR, DAUGHTERCARD PRODUCT SPEC: 8 COLUMN, LEFT GUIDED, SIGNAL APPLICATION SPEC: MODULE, 0.39 EYELET
0 PLC ± 1 PLC ±0.2 2 PLC ±0.13 3 PLC ± 4 PLC ± ANGLES ±		SIZE: A1 CAGE CODE: 00779 DRAWING NO: C=2132111	
MATERIAL: SEE TABLE		WEIGHT: -	RESTRICTED TO: -
FINISH: -		Customer Drawing	SCALE: 6:1 SHEET: 1 OF 1 REV: A