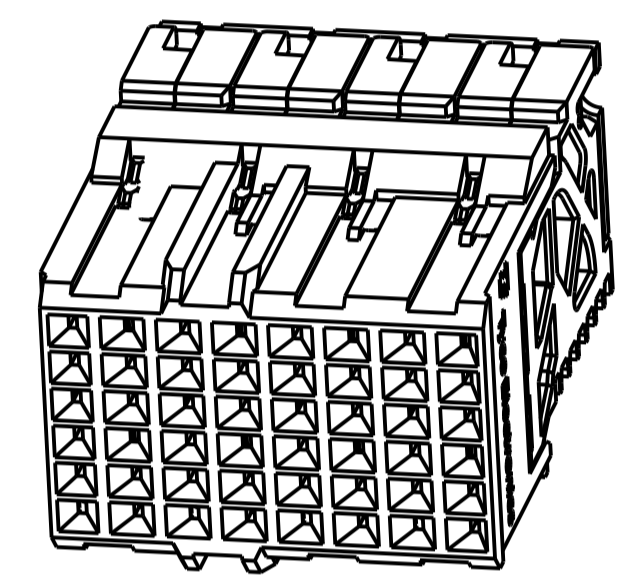
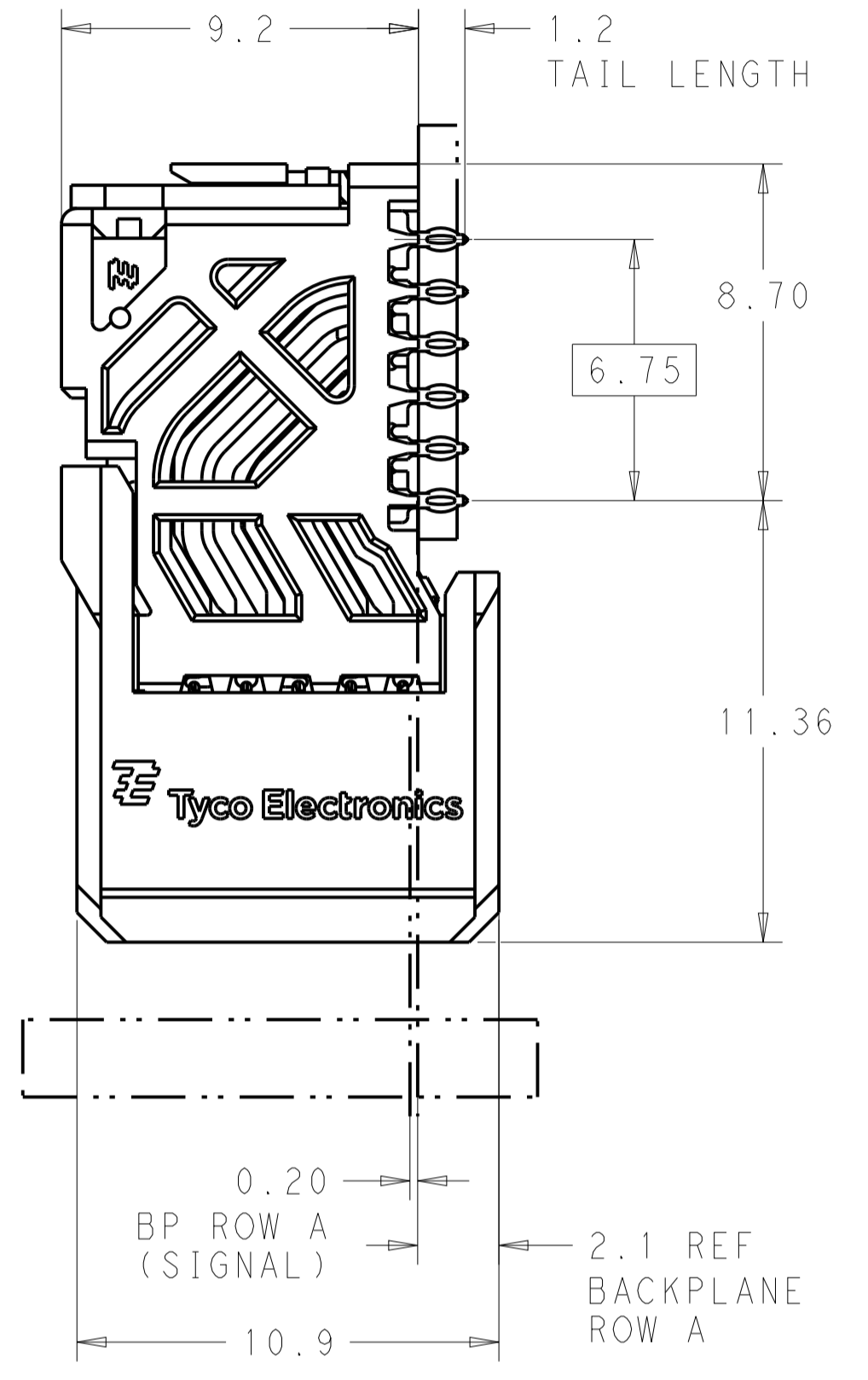
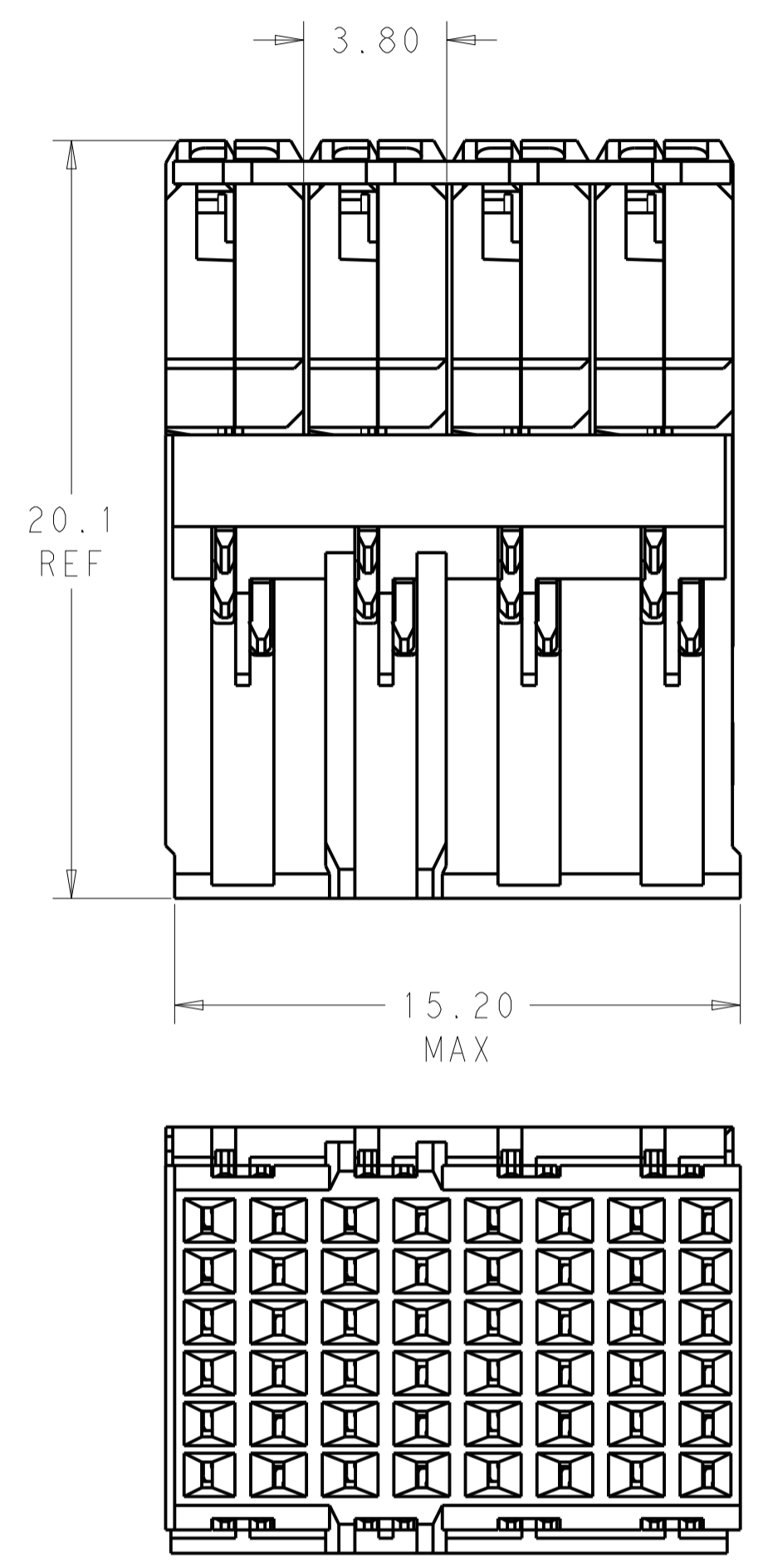


REVISIONS				
P.	LTR.	DESCRIPTION	DATE	APVD.
A		REVISED PER ECO-14-017984	03DEC2014	AP DD

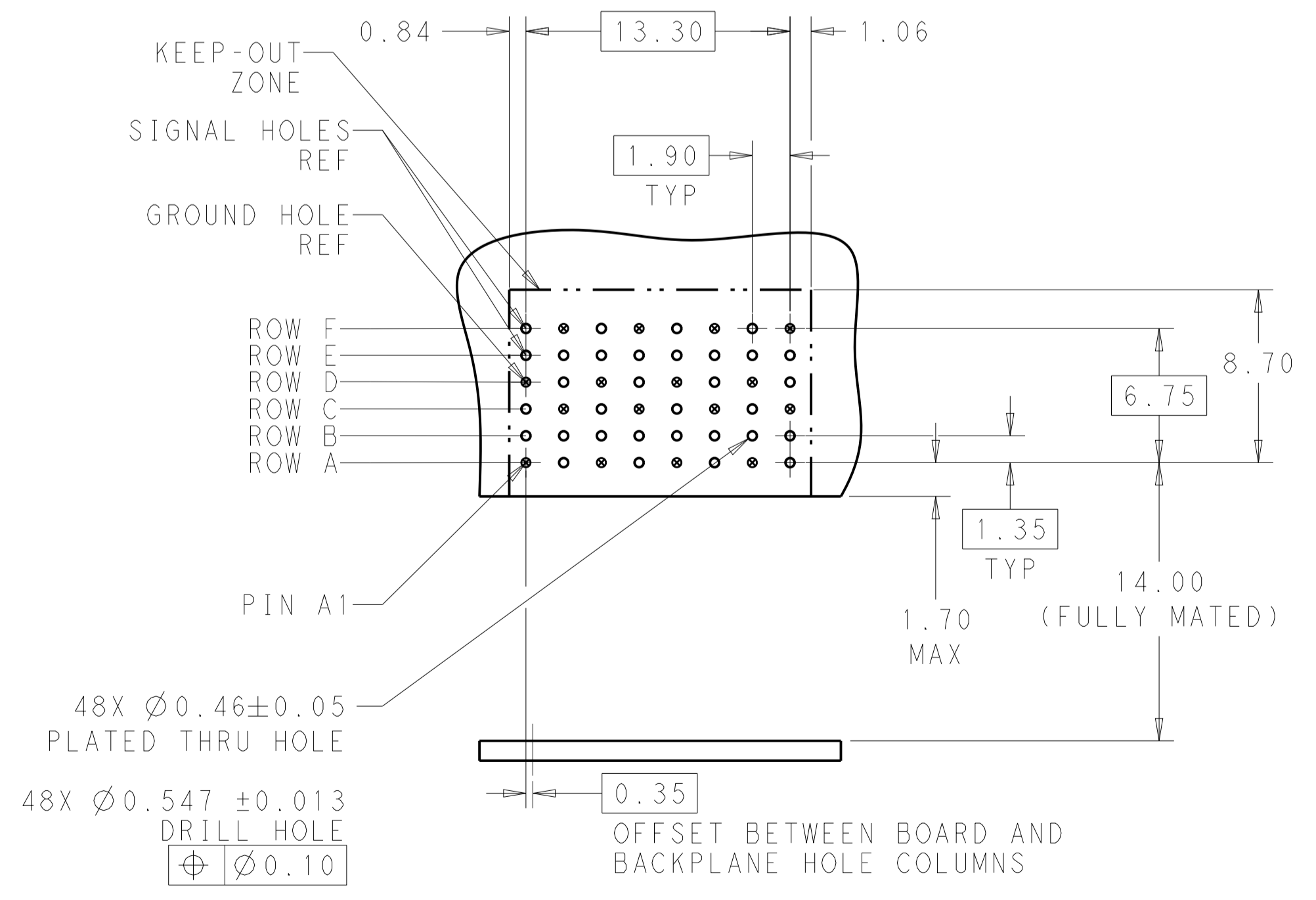
⚠ MATERIAL:
HOUSING: LCP, GLASS FILLED, UL94V-0.
TERMINALS: HIGH PERFORMANCE COPPER ALLOY.

⚠ FINISH:
30µ" SELECTIVE GOLD IN CONTACT AREA. SELECTIVE TIN
ON PCB TAILS, NICKEL OVERALL.



SCALE 4:1

REFER TO WWW.TE.COM FOR PRODUCT AVAILABILITY



RECOMMENDED PCB LAYOUT
MIN BOARD THICKNESS 1.6

NONE	⚠	2132110-1
KEY POSITION	FINISH	PART NUMBER

THIS DRAWING IS A CONTROLLED DOCUMENT.		OWN: KIRAN HOLLAL 16NOV2012	TE Connectivity	
DIMENSIONS: mm		CHK: D. DIXON 16NOV2012		
TOLERANCES UNLESS OTHERWISE SPECIFIED:		APVD: D. DIXON 16NOV2012		
0 PLC ±	1 PLC ±0.2	NAME: IMPACT, 2 PAIR, DAUGHTERCARD	RESTRICTED TO	
2 PLC ±0.13	3 PLC ±	PRODUCT SPEC:	A100779C=2132110	
4 PLC ±	ANGLES ±	APPLICATION SPEC:	SCALE 6:1 SHEET 1 OF 1 REV A	
MATERIAL: SEE TABLE	FINISH: SEE TABLE	WEIGHT:	Customer Drawing	