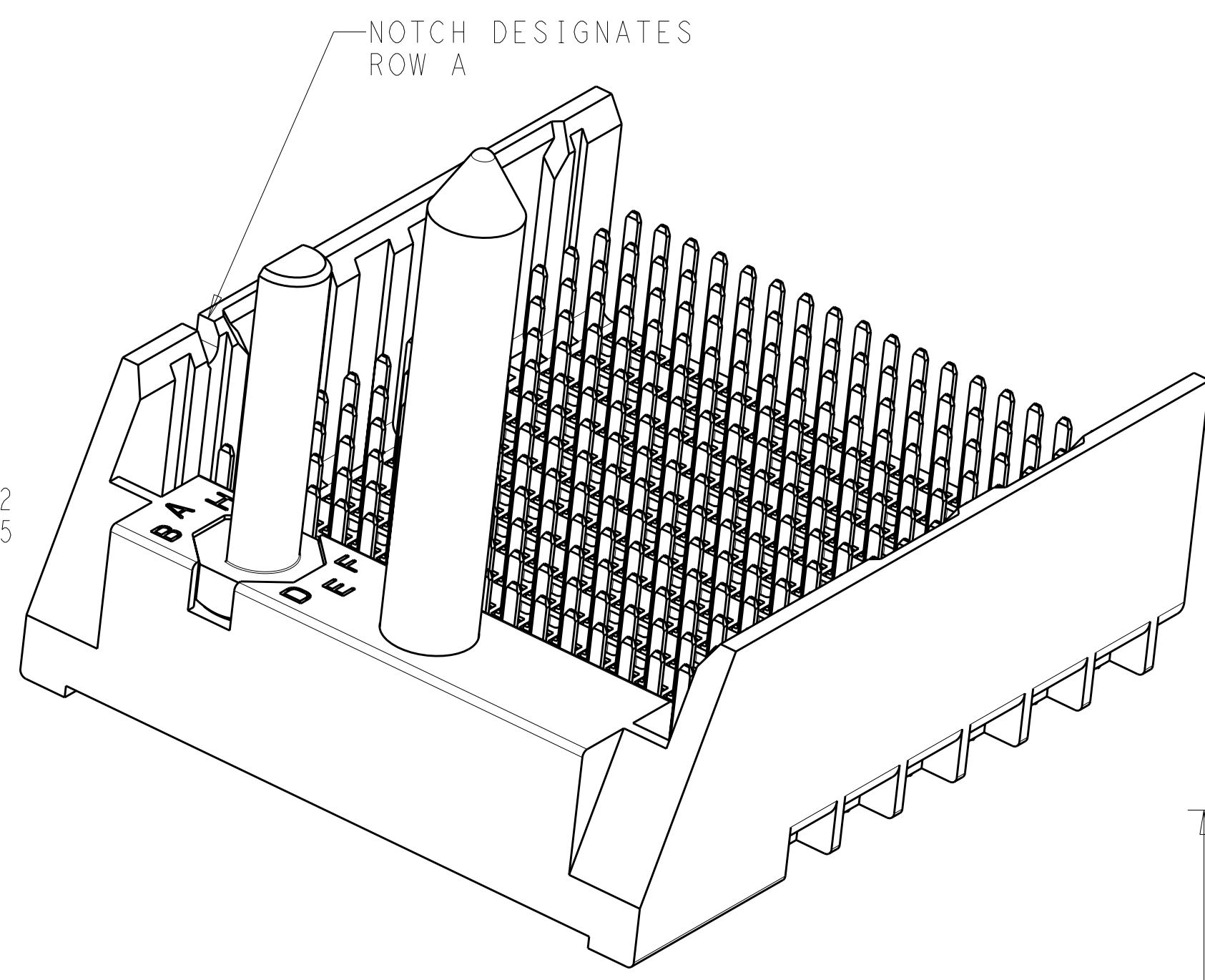
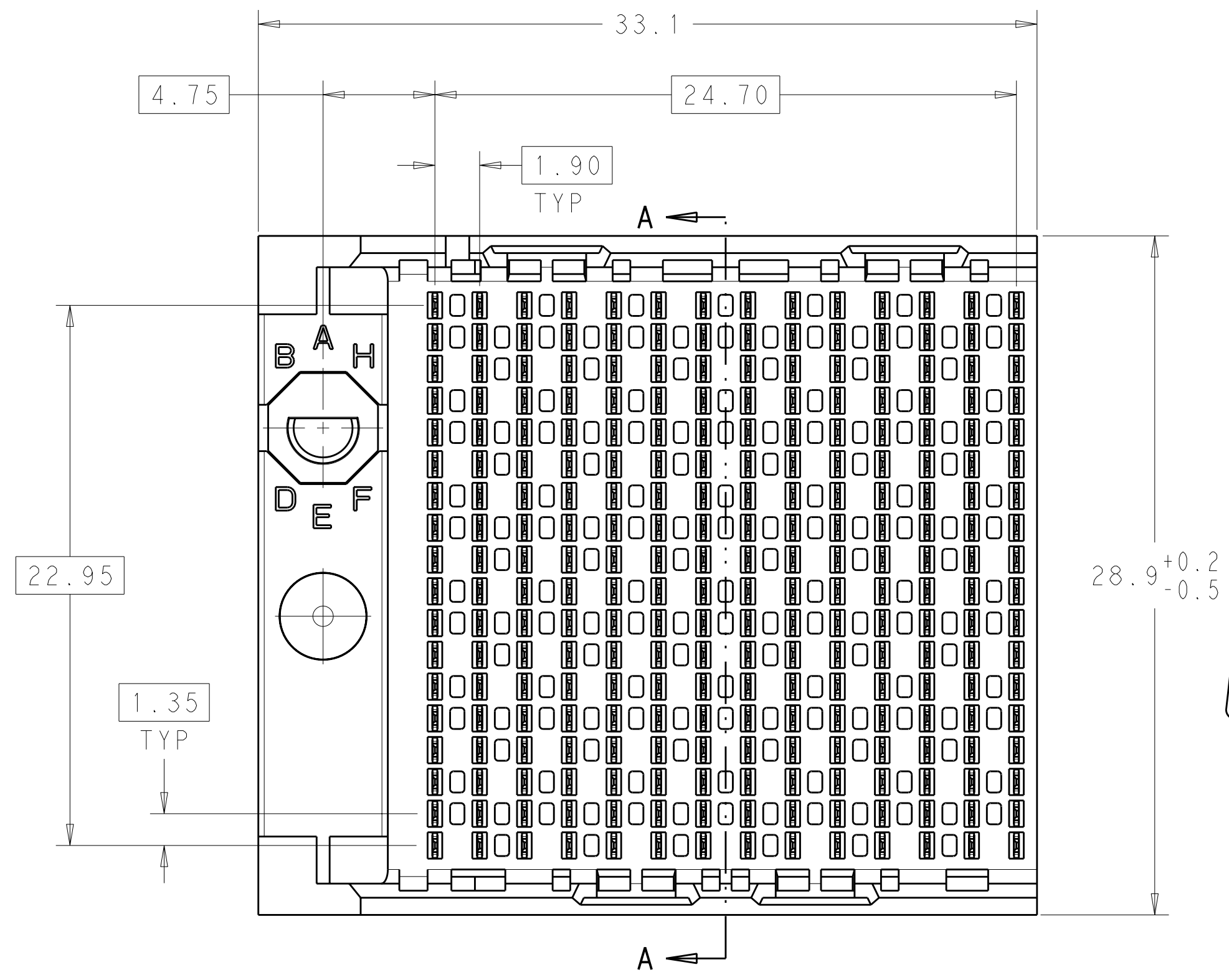
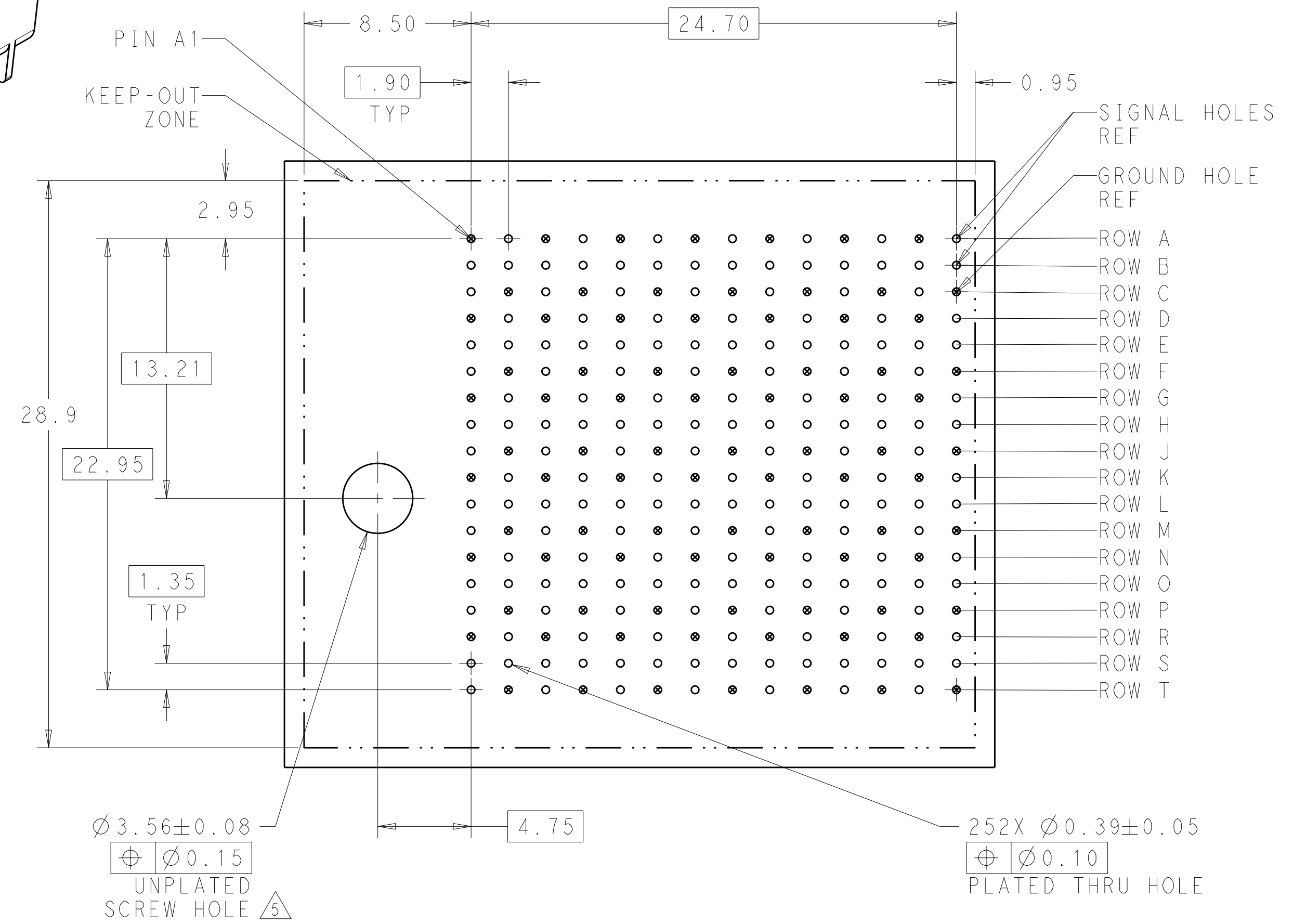


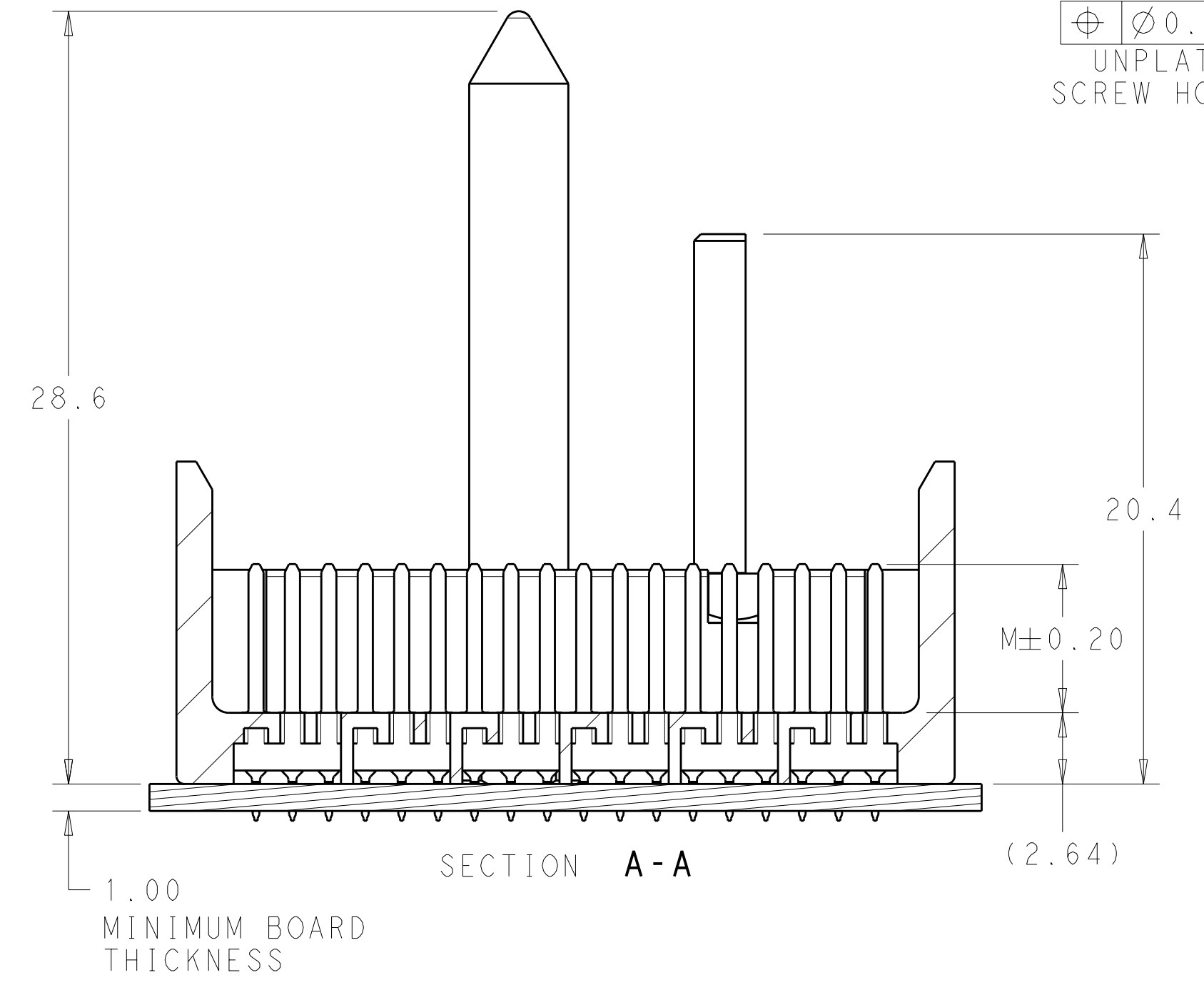
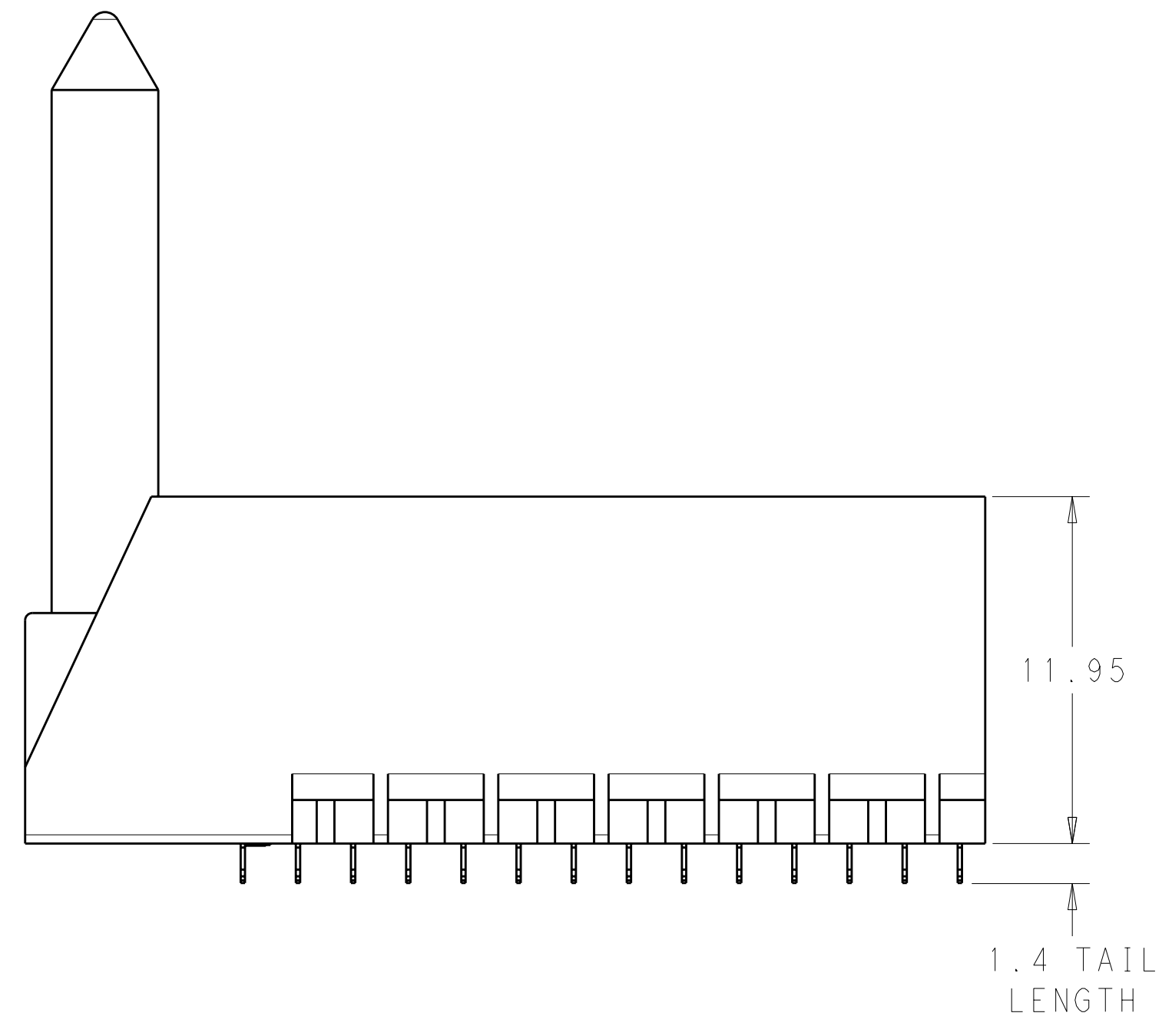
LOC	DIST	REV	DATE	BY	APPD
AD	00	A	02MAY2011	RKC	JE



- 1 MATERIAL:  
HOUSING: LCP, GLASS FILLED, UL94V-0.  
TERMINALS: HIGH PERFORMANCE COPPER ALLOY.
- 2 FINISH:  
30µ" MIN GOLD IN CONTACT AREA. SELECTIVE TIN ON PCB TAILS, NICKEL OVERALL.
- 3 FINISH:  
30µ" MIN GOLD IN CONTACT AREA. SELECTIVE TIN-LEAD ON PCB TAILS, NICKEL OVERALL.
- 4. SCREWS PACKAGED IN END OF PACKAGING TUBE.
- 5 FOR GROUNDED GUIDE PIN USE Ø3.56±0.08 PTH, Ø3.66 DRILL, AND Ø6.5 PAD.
- 6. KEYING PIN SHOWN IN POSITION A. SEE KEYING CHART ON SHEET 2 FOR OTHER POSITIONS.



LEFT GUIDED BACKPLANE HOLE PATTERN (CONNECTOR SIDE)

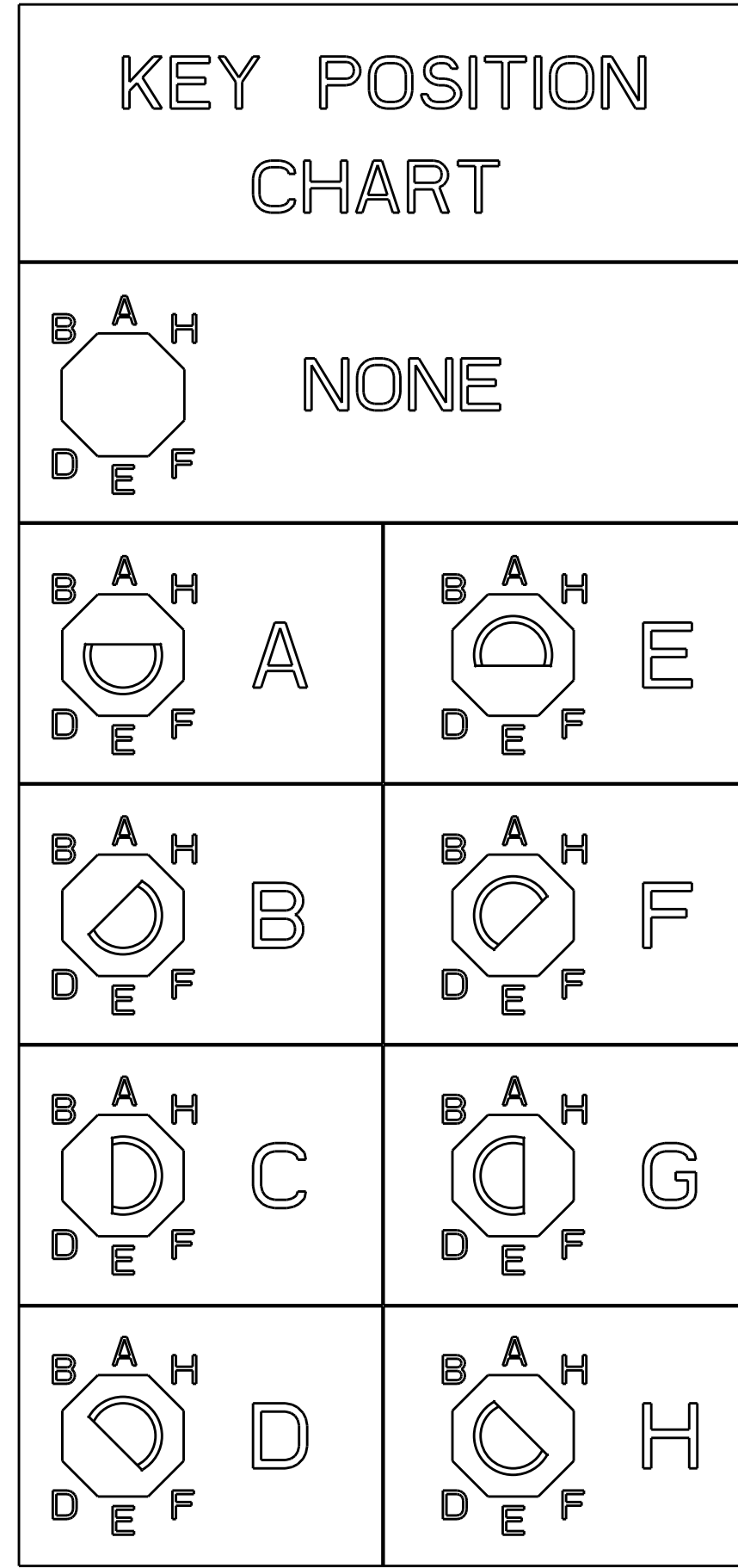


THIS DRAWING IS A CONTROLLED DOCUMENT.		DWN R. COELLO 02MAY2011	TE Connectivity NAME: IMPACT, 6 PAIR, 14 COLUMN, HEADER LEFT GUIDED, OPEN END WALL SIGNAL MODULE, 0.39 PTH SIZE: CAGE CODE DRAWING NO: A100779C=2132001 RESTRICTED TO:
DIMENSIONS: mm		CHK J. EABY 02MAY2011	
TOLERANCES UNLESS OTHERWISE SPECIFIED:		APVD J. EABY 02MAY2011	
9 PLC ± 1 PLC ±0.25 3 PLC ±0.13 4 PLC ± ANGLES ±		PRODUCT SPEC	
MATERIAL: SEE TABLE		APPLICATION SPEC	WEIGHT: -
FINISH: SEE TABLE		WEIGHT: -	SCALE: 5:1 SHEET 1 OF 2 REV A
CUSTOMER DRAWING		CUSTOMER DRAWING	

LOC	DIST	P	LTB	DESCRIPTION	DATE	DWN	APVD
AD	00	-	-	SEE SHEET 1	-	-	-

3	H	5.5	8-2132001-6
3	H	4.9	8-2132001-5
3	H	4.5	8-2132001-4
2	H	5.5	8-2132001-3
2	H	4.9	8-2132001-2
2	H	4.5	8-2132001-1
3	G	5.5	7-2132001-6
3	G	4.9	7-2132001-5
3	G	4.5	7-2132001-4
2	G	5.5	7-2132001-3
2	G	4.9	7-2132001-2
2	G	4.5	7-2132001-1
3	F	5.5	6-2132001-6
3	F	4.9	6-2132001-5
3	F	4.5	6-2132001-4
2	F	5.5	6-2132001-3
2	F	4.9	6-2132001-2
2	F	4.5	6-2132001-1
3	E	5.5	5-2132001-6
3	E	4.9	5-2132001-5
3	E	4.5	5-2132001-4
2	E	5.5	5-2132001-3
2	E	4.9	5-2132001-2
2	E	4.5	5-2132001-1
3	D	5.5	4-2132001-6
3	D	4.9	4-2132001-5
3	D	4.5	4-2132001-4
2	D	5.5	4-2132001-3
2	D	4.9	4-2132001-2
2	D	4.5	4-2132001-1
3	C	5.5	3-2132001-6
3	C	4.9	3-2132001-5
3	C	4.5	3-2132001-4
2	C	5.5	3-2132001-3
2	C	4.9	3-2132001-2
2	C	4.5	3-2132001-1
3	B	5.5	2-2132001-6
3	B	4.9	2-2132001-5
3	B	4.5	2-2132001-4
2	B	5.5	2-2132001-3
2	B	4.9	2-2132001-2
2	B	4.5	2-2132001-1
3	A	5.5	1-2132001-6
3	A	4.9	1-2132001-5
3	A	4.5	1-2132001-4
2	A	5.5	1-2132001-3
2	A	4.9	1-2132001-2
2	A	4.5	1-2132001-1
3	-	5.5	2132001-6
3	-	4.9	2132001-5
3	-	4.5	2132001-4
2	-	5.5	2132001-3
2	-	4.9	2132001-2
2	-	4.5	2132001-1
FINISH	KEY POSITION	DIM M	PART NUMBER

REFER TO WWW.TE.COM  
FOR PRODUCT AVAILABILITY



THIS DRAWING IS A CONTROLLED DOCUMENT.		DWN R. COELLO 02MAY2011	<b>TE</b> Connectivity
DIMENSIONS: mm		CHK J. EARY 02MAY2011	
TOLERANCES UNLESS OTHERWISE SPECIFIED: 9 PLC ±0.25 5 PLC ±0.13 4 PLC ± ANGLES ±		APVD J. EARY 02MAY2011	NAME IMPACT, 6 PAIR, 14 COLUMN, HEADER LEFT GUIDED, OPEN END WALL SIGNAL MODULE, 0.39 PTH
MATERIAL SEE TABLE		PRODUCT SPEC APPLICATION SPEC WEIGHT CUSTOMER DRAWING	RESTRICTED TO A100779C=2132001 SCALE 5:1 SHEET 2 OF 2 REV A