

LOC
DW

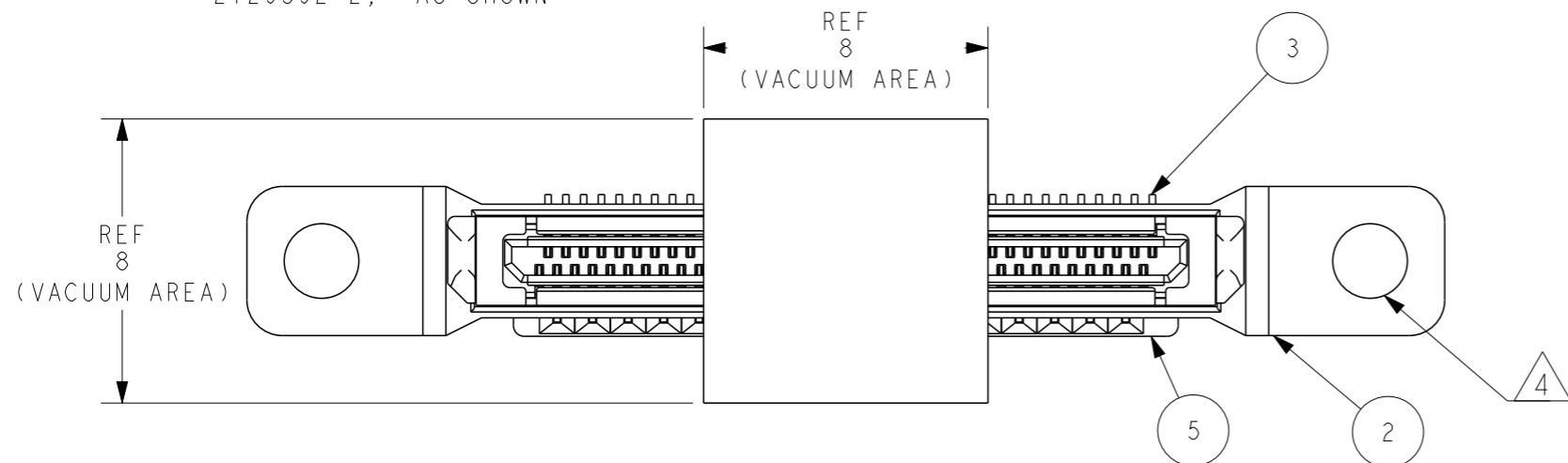
DIST

REVISIONS

P	LTR	DESCRIPTION	DATE	DWN	APVD
	A3	REVISED(ECR-13-010163)	24JUN13	P.H	H.K

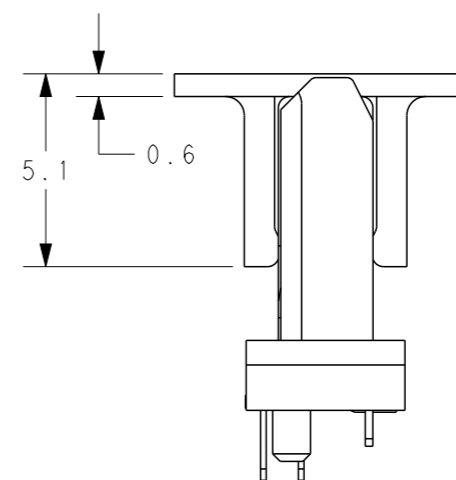
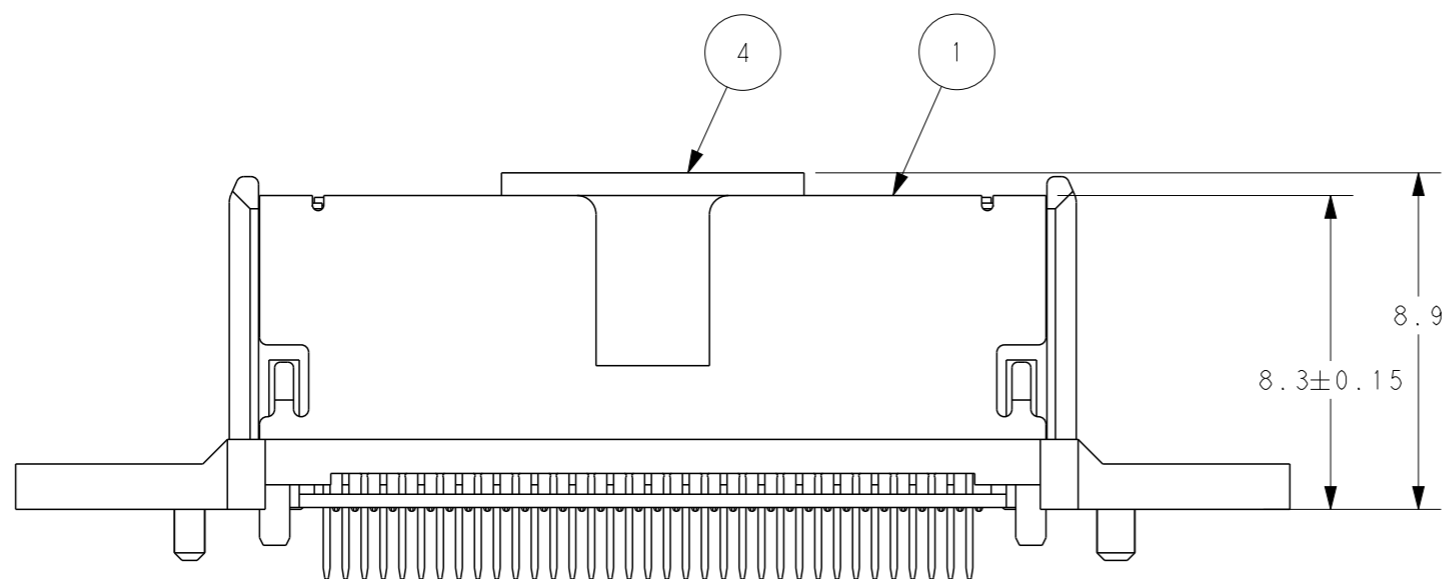
WITH CAP CONDITION

2129392-2; AS SHOWN




- MATERIAL:
 - ① HOUSING: LCP(UL94V-0, BLACK)
 - ② SHELL: STAINLESS STEEL SUS304
 - ③ CONTACT: PHOSPHOR BRONZE
 - ④ CAP: LCP(UL94V-0, BLACK)
 - ⑤ SPACER: LCP(UL94V-0, BLACK)
- FINISH:
 - CONTACT:
 - 0.38um MIN. AU PLATING AT CONTACT AREA
 - 0.1um MIN. MATTE TIN PLATING AT SOLDER TAIL
 - OVERALL 2um MIN. NICKEL PLATING
 - APPLY LUBRICANT TO CONTACT SURFACE
 - SHELL:
 - 2um MIN. NICKEL PLATING OVERALL.
- PRODUCT MUST MEET CONTROLLED SUBSTANCES PER TE SPEC: TEC-138-702
 - SPECIAL REQUEST OF LOW HALOGEN SPEC:
 - CHLORINE (Cl): 900ppm MAX.
 - BROMINE (Br): 900ppm MAX.
 - SPECIAL REQUEST OF REACH SvHC SPEC ON NON-MATAL MATERIAL:
 - DBP: 1000 ppm MAX.
 - DEHP: 1000 ppm MAX.
 - BBP: 1000 ppm MAX.
 - HBCDD: 1000 ppm MAX.

△ RECOMMAND SCREW TROQUE 1.8kg-cm MAX.



Q'TY	NAME	ITEM
1	SPACER	⑤
1	CAP	④
70	CONTACT	③
1	HOUSING	②
1	SHELL	①

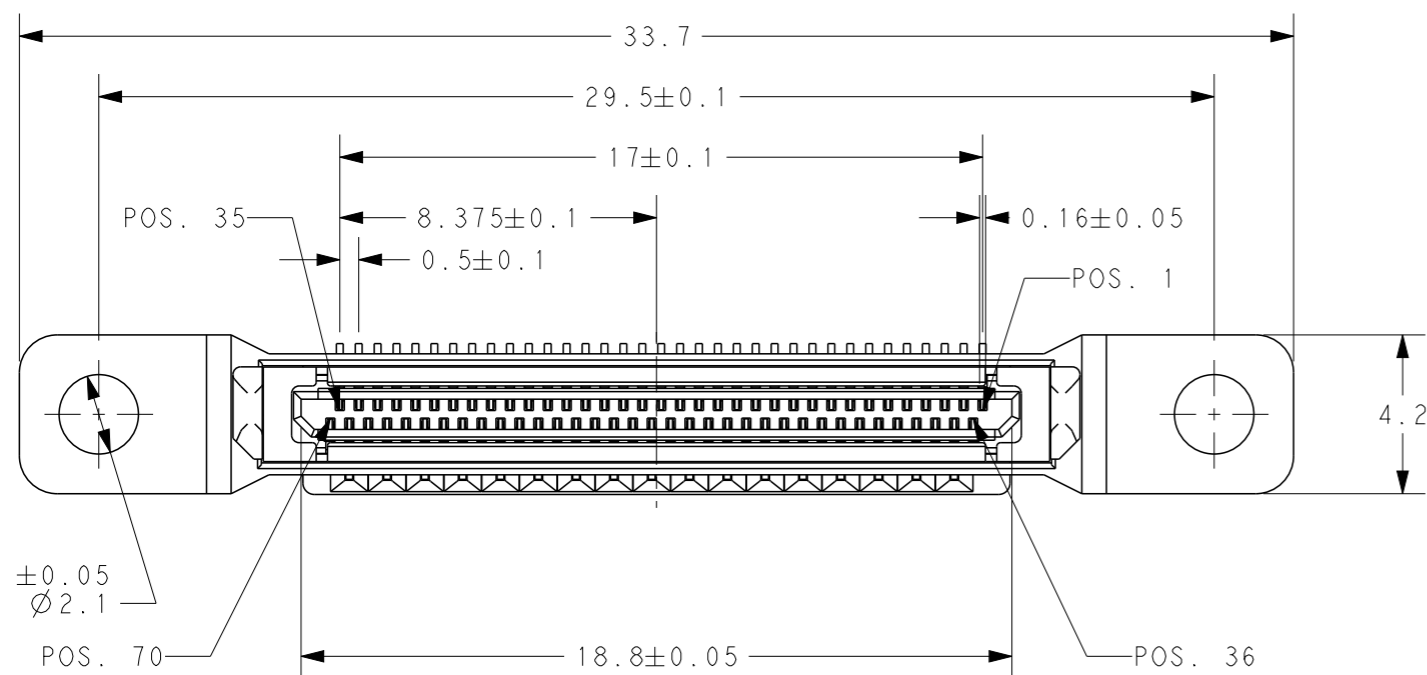
INFORMATION IS TE CONFIDENTIAL & PROPRIETARY

THIS DRAWING IS A CONTROLLED DOCUMENT.		DWN P. HSU 13AUG2012	 TE Connectivity	
DIMENSIONS: mm		CHK M. CHAO 13AUG2012		
TOLERANCES UNLESS OTHERWISE SPECIFIED:		APVD H. KODAMA 13AUG2012		
0 PLC ±0.25 1 PLC ±0.25 2 PLC ±0.25 3 PLC ±0.25 4 PLC ±0.25 ANGLES ±5°		PRODUCT SPEC 108-99038		
MATERIAL		FINISH	APPLICATION SPEC	NAME DOCK CONNECTOR ASSEMBLY 0.5MM CL 70POS DOCKING CONNECTOR
		WEIGHT	SIZE A3	CAGE CODE 00779
			DRAWING NO C-2129392	RESTRICTED TO
			SCALE 5:1	SHEET 1 OF 4
				REV A3

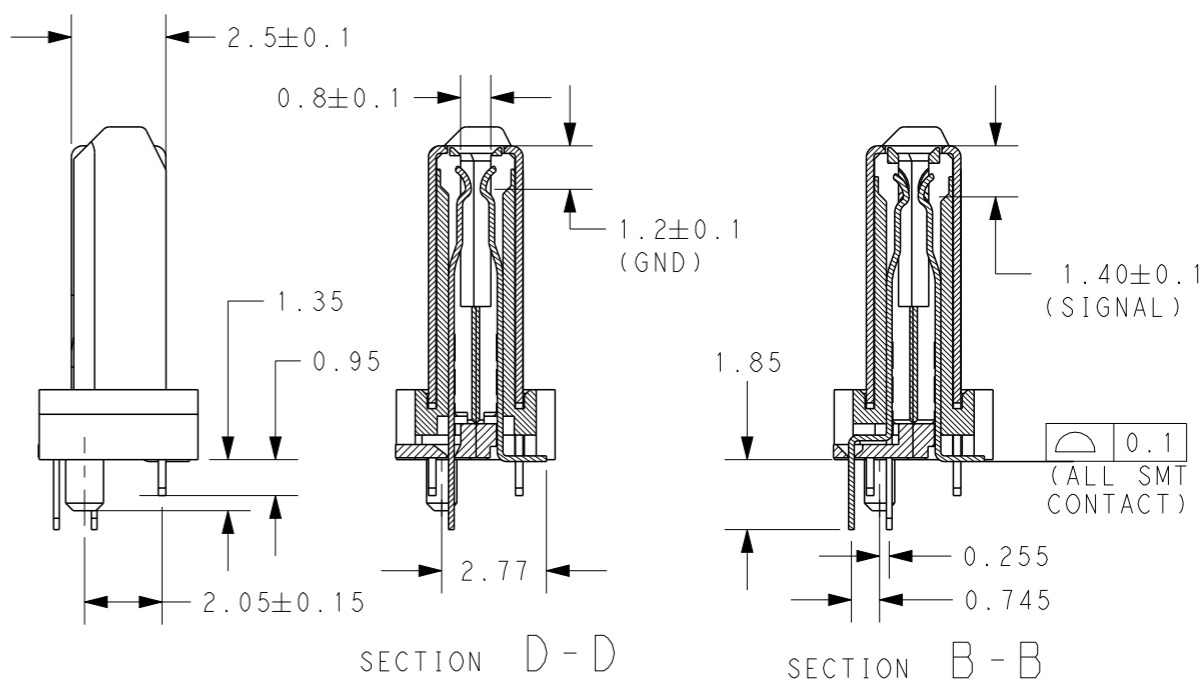
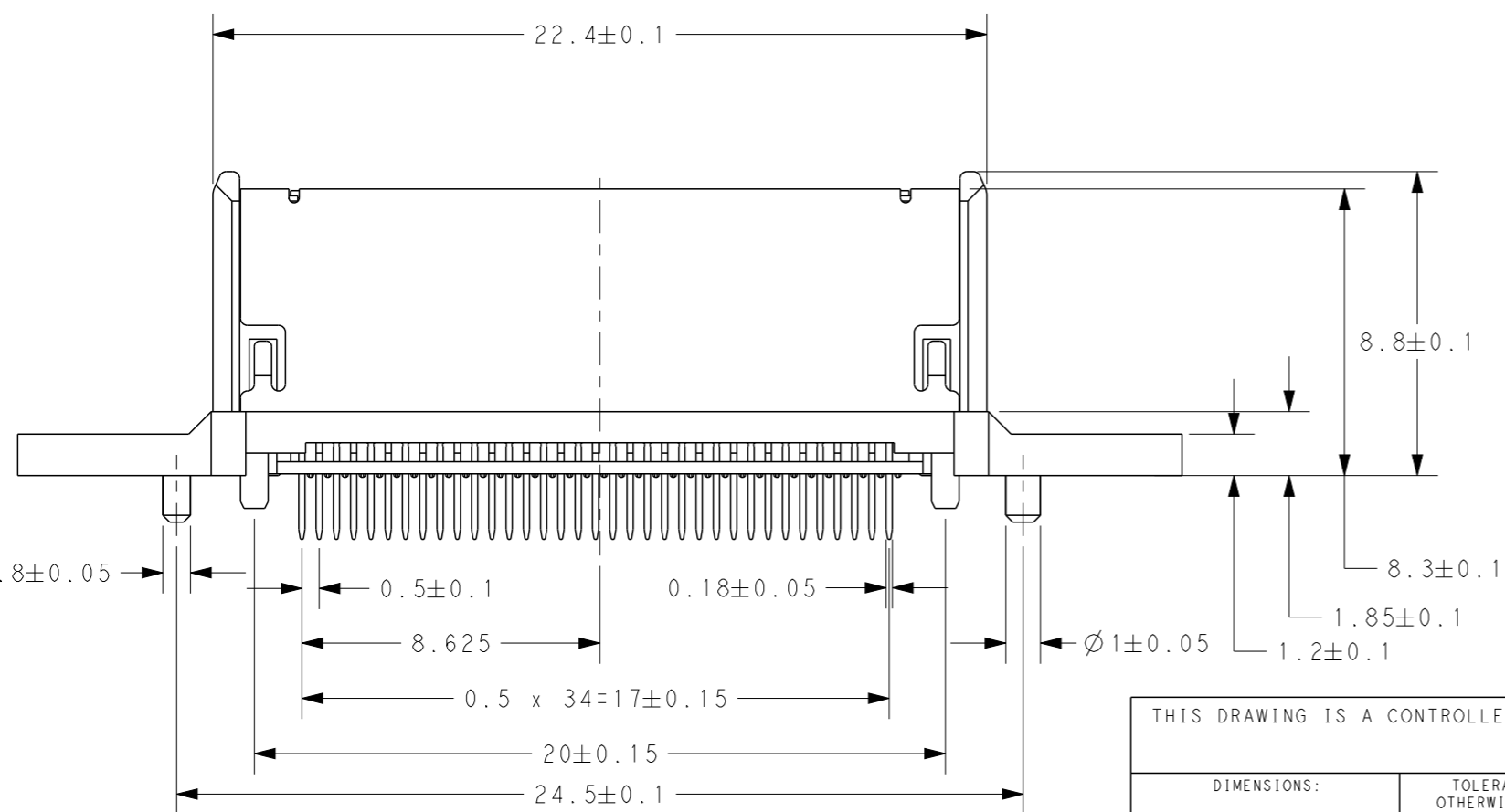
P	LTR	DESCRIPTION	DATE	DWN	APVD
-		SEE SHEET 1	-	-	-

2129392-2 ; AS SHOWN

W/O CAP CONDITION



GND CONTACT POS NO 1, 35, 36, 70
SIG CONTACT POS NO OTHERS.



THIS DRAWING IS A CONTROLLED DOCUMENT.

DWN	-
CHK	-
APVD	-
PRODUCT SPEC	-
APPLICATION SPEC	-
WEIGHT	-
CUSTOMER DRAWING	-

DIMENSIONS: mm

0 PLC	±0.25
1 PLC	±0.25
2 PLC	±0.25
3 PLC	±0.25
4 PLC	±0.25
ANGLES	±5
FINISH	-

STE TE Connectivity

NAME: DOCK CONNECTOR ASSEMBLY
0.5MM CL 70POS DOCKING CONNECTOR

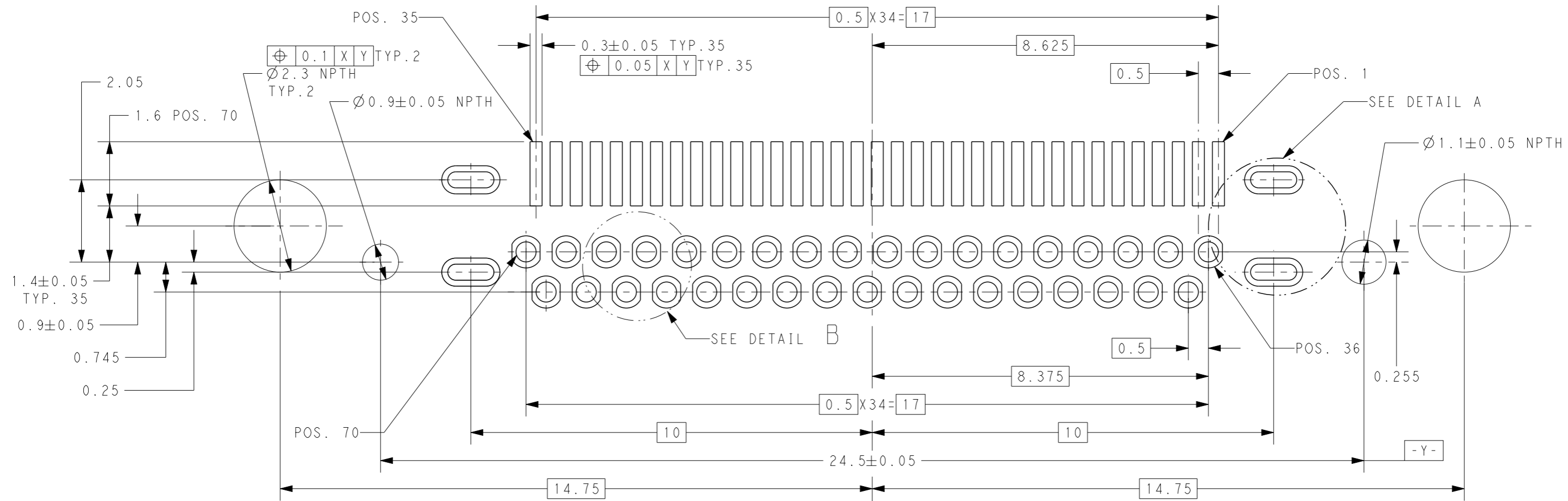
SIZE	CAGE CODE	DRAWING NO	RESTRICTED TO
A3	00779	C-2129392	-

SCALE 5:1 SHEET 2 OF 4 REV A3

INFORMATION IS TE CONFIDENTIAL & PROPRIETARY

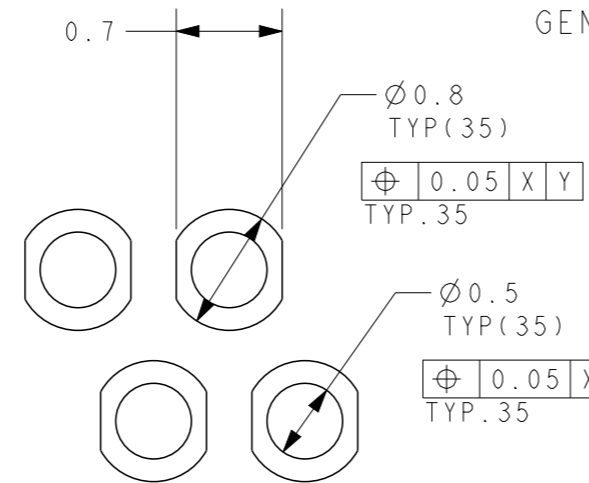
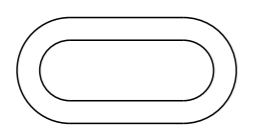
THIS DRAWING IS UNPUBLISHED. RELEASED FOR PUBLICATION 20
 © COPYRIGHT 20 BY - ALL RIGHTS RESERVED.

LOC	DIST	REVISIONS			
P	LTR	DESCRIPTION	DATE	DWN	APVD
DW		SEE SHEET 1	-	-	-



REFERENCE PCB LAYOUT
 GENERAL TOLERANCE: ± 0.05

INFORMATION IS TE CONFIDENTIAL & PROPRIETARY



THIS DRAWING IS A CONTROLLED DOCUMENT.		DWN	 TE Connectivity		NAME DOCK CONNECTOR ASSEMBLY 0.5MM CL 70POS DOCKING CONNECTOR
DIMENSIONS:	TOLERANCES UNLESS OTHERWISE SPECIFIED:	CHK			
mm	0 PLC ± 0.25 1 PLC ± 0.25 2 PLC ± 0.25 ± 0.05 3 PLC ± 0.25 4 PLC ± 0.25 ANGLES ± 5	APVD			
		PRODUCT SPEC			
MATERIAL	FINISH	APPLICATION SPEC	SIZE	CAGE CODE	DRAWING NO
		WEIGHT	A3	00779	C-2129392
CUSTOMER DRAWING			SCALE	SHEET	REV
			10:1	3 OF 4	A3

THIS DRAWING IS UNPUBLISHED.

RELEASED FOR PUBLICATION

2011

© COPYRIGHT 2011 Tyco Electronics AMP GmbH

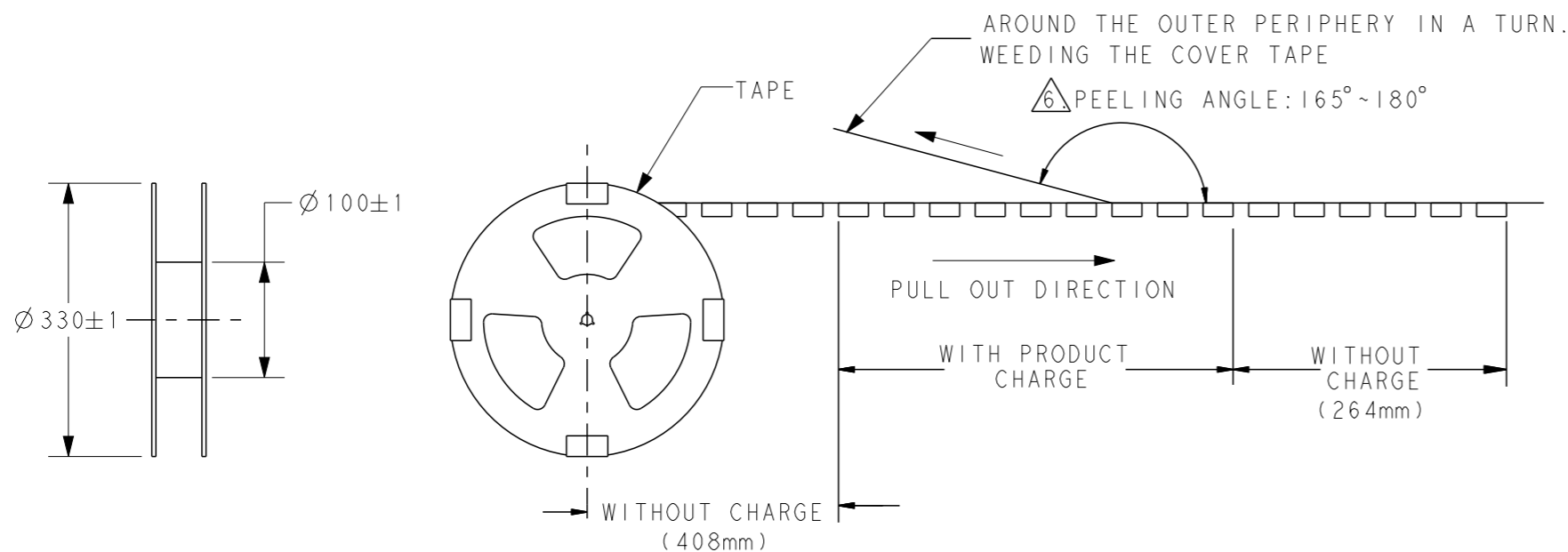
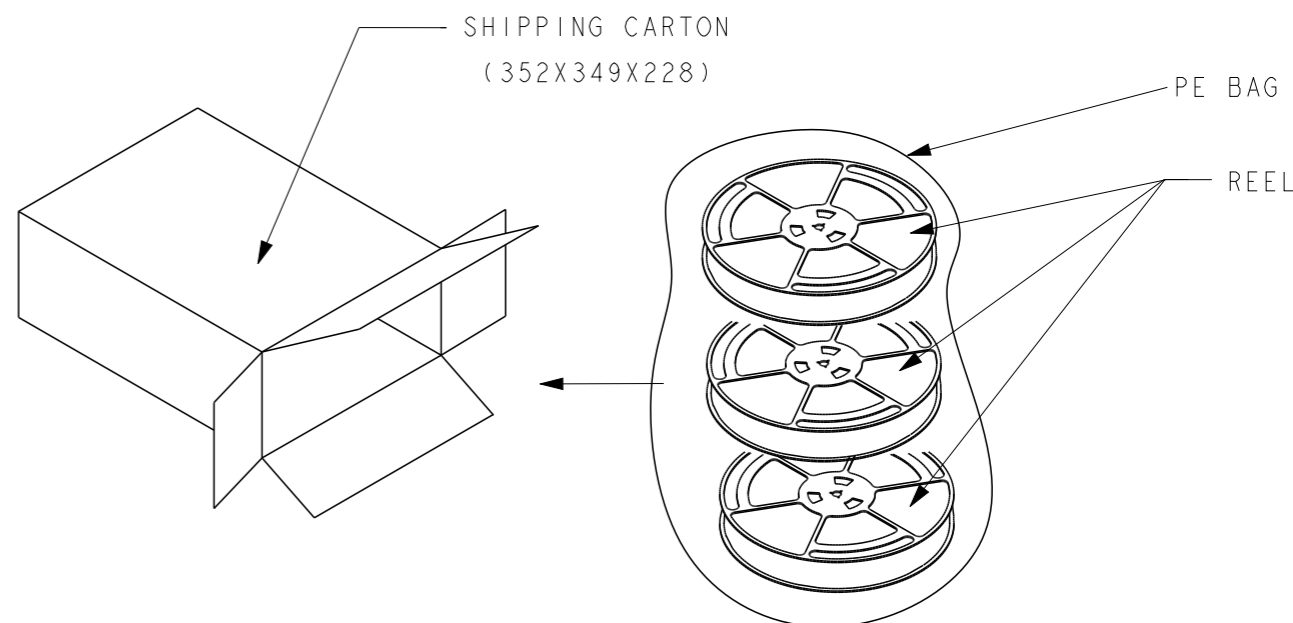
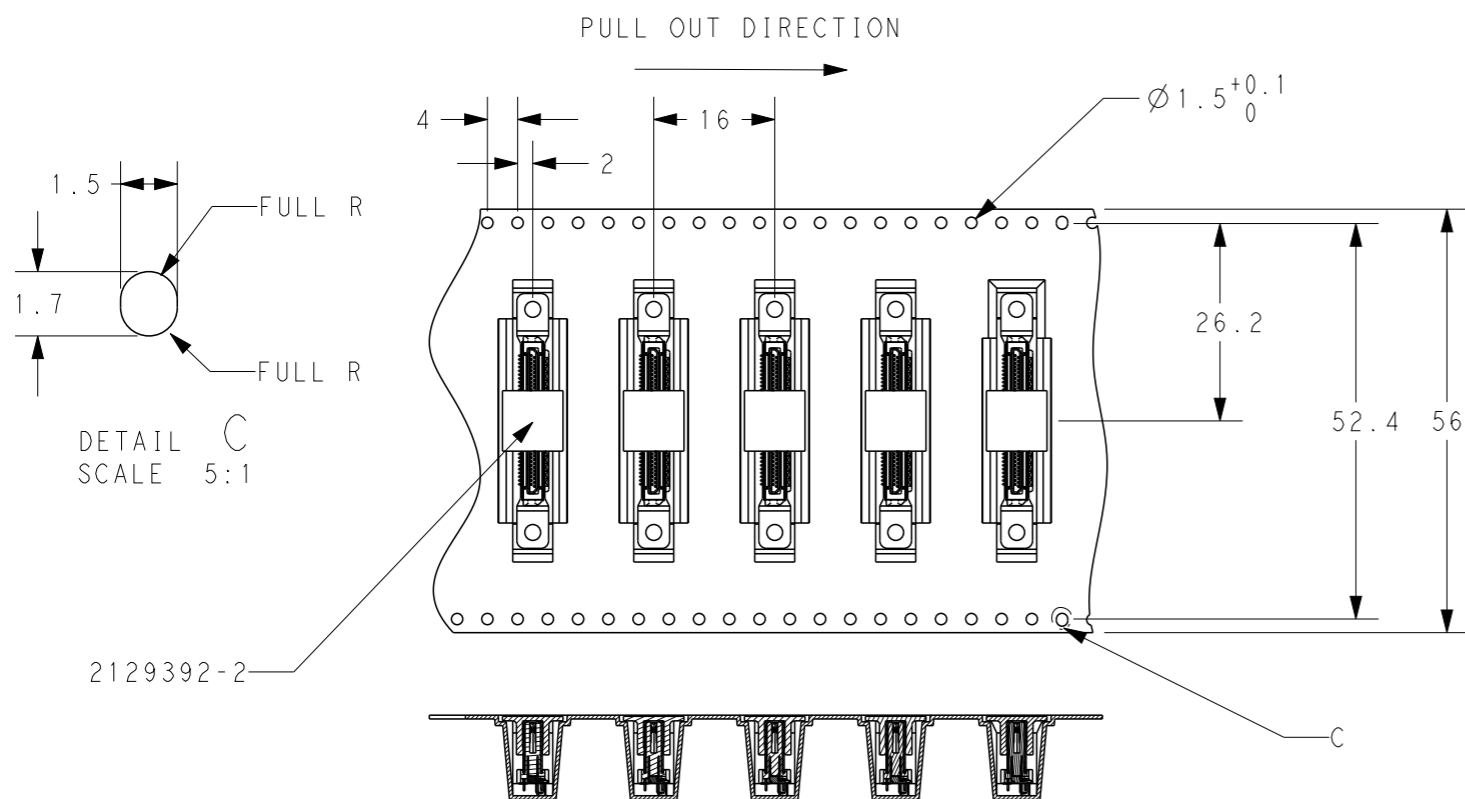
ALL RIGHTS RESERVED.

LOC DW

DIST

REVISIONS

P	LTR	DESCRIPTION	DATE	DWN	APVD
-	-	SEE SHEET 1	-	-	-



- 5. PACKING MATERIAL:
CARRY TAPE: PS; COLOR: CLEAR.
COVER TAPE: PET; COLOR: SMOKE.
- 6. PEELING STRENGTH OF COVER TAPE: 0.2N~1.2N

2129392-2	300	3	900
P/N	PCS/TAPE	REELS/CARTON	TOTAL QUANTITY

INFORMATION IS TE CONFIDENTIAL & PROPRIETARY

THIS DRAWING IS A CONTROLLED DOCUMENT.

DIMENSIONS:	TOLERANCES UNLESS OTHERWISE SPECIFIED:
mm	
0 PLC	± 0.25
1 PLC	± 0.25
2 PLC	± 0.25
3 PLC	± 0.25
4 PLC	± 0.25
ANGLES	$\pm 5^\circ$
MATERIAL	FINISH

DWN	-
CHK	-
APVD	-
PRODUCT SPEC	-
APPLICATION SPEC	-
WEIGHT	-
CUSTOMER DRAWING	-



NAME DOCK CONNECTOR ASSEMBLY
0.5MM CL 70POS DOCKING CONNECTOR

SIZE	CAGE CODE	DRAWING NO	RESTRICTED TO
A3	00779	C-2129392	-

SCALE 1:1 SHEET 4 OF 4 REV A3