

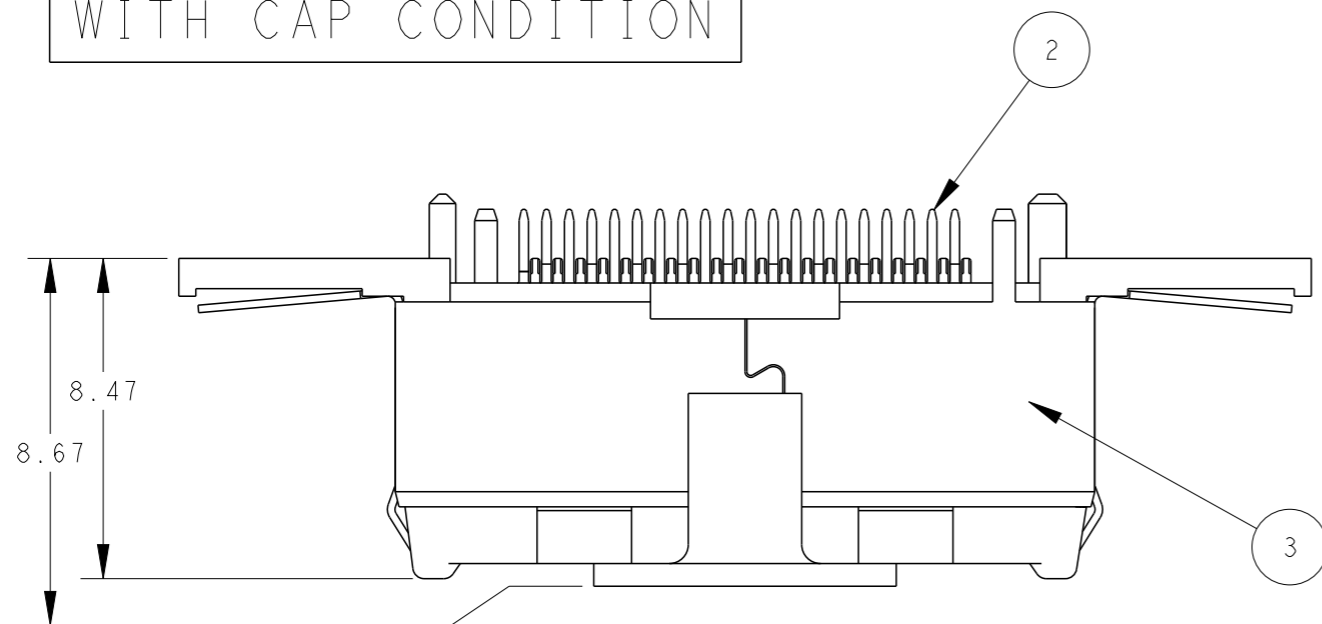
LOC DW DIST -

REVISIONS

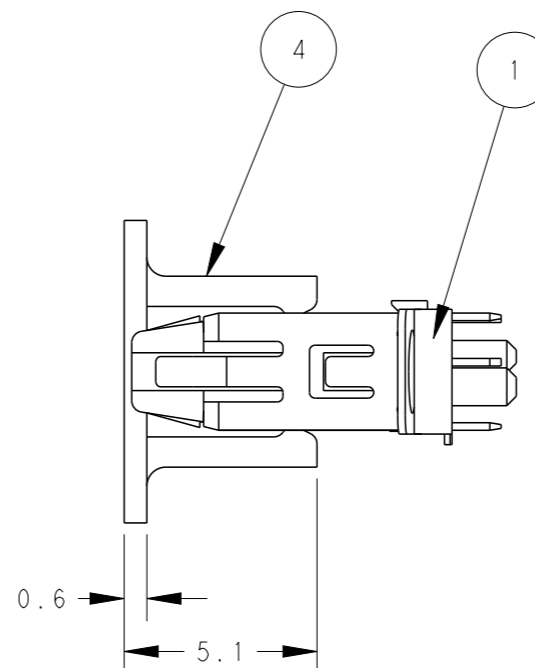
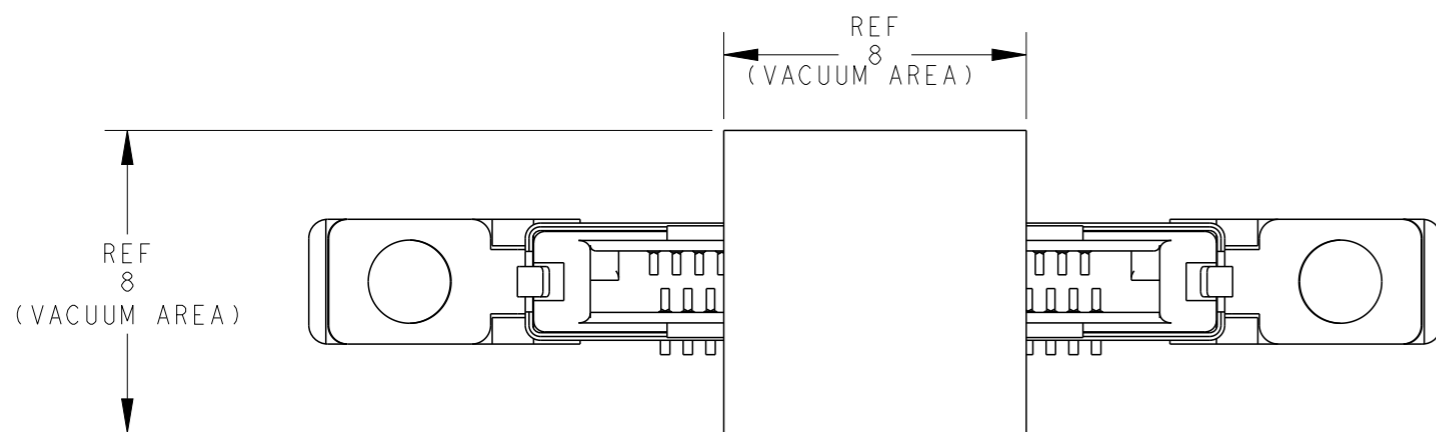
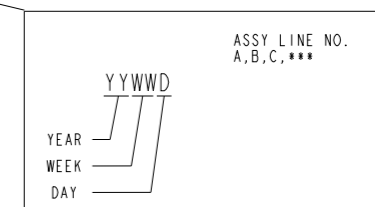
P	LTR	DESCRIPTION	DATE	DWN	APVD
C		REVISED PER ECR-21-001601	09OCT2021	R.M	S.Z
D		REVISED PER ECN-22-179466	14OCT2022	AK	SZ

WITH CAP CONDITION

2129261-1; AS SHOWN



- 1 MATERIAL: HOUSING: THERMO-PLASTIC(UL94V-0, BLACK).  
CONTACT: COPPER ALLOY.  
SHELL: STAINLESS STEEL.  
CAP: THERMO-PLASTIC(UL94V-0, BLACK).
- 2 FINISH:  
CONTACT: ALL OVER 2um MIN. Ni UNDER PLATING.  
0.38um MIN. Au PLATING ON CONTACT AREA.  
1~3um Tin PLATING ON TINE AREA.  
SHELL: ALL OVER 1.3um MIN. Ni UNDER PLATING.
- 3. LOW HALOGEN SPECIFICATION  
CHLORINE(Cl) : 900 ppm MAX.  
BROMINE(Br) : 900 ppm MAX.
- 4 DATE CODE



Q'TY	NAME	ITEM
1	CAP	④
1	SHELL	③
40	CONTACT	②
1	HOUSING	①

THIS DRAWING IS A CONTROLLED DOCUMENT.

DIMENSIONS: mm	TOLERANCES UNLESS OTHERWISE SPECIFIED: 0 PLC ± 1 PLC ± ±0.25 2 PLC ± ±3° 3 PLC ± 4 PLC ± ANGLES ±	DWN T.KUO 21MAR2011	TE Connectivity NAME PLUG ASSY, 0.6mm PITCH CHAMP DOCKING CONNECTOR, 40POS
MATERIAL ①	FINISH ②	CHK V.PENG 21MAR2011	
		APVD H.KODAMA 21MAR2011	
		PRODUCT SPEC 108-99033	
		APPLICATION SPEC	SIZE A3 CAGE CODE 00779 DRAWING NO C-2129261 RESTRICTED TO
		WEIGHT 1.14	SCALE 5:1 SHEET 1 OF 5 REV D

CUSTOMER DRAWING

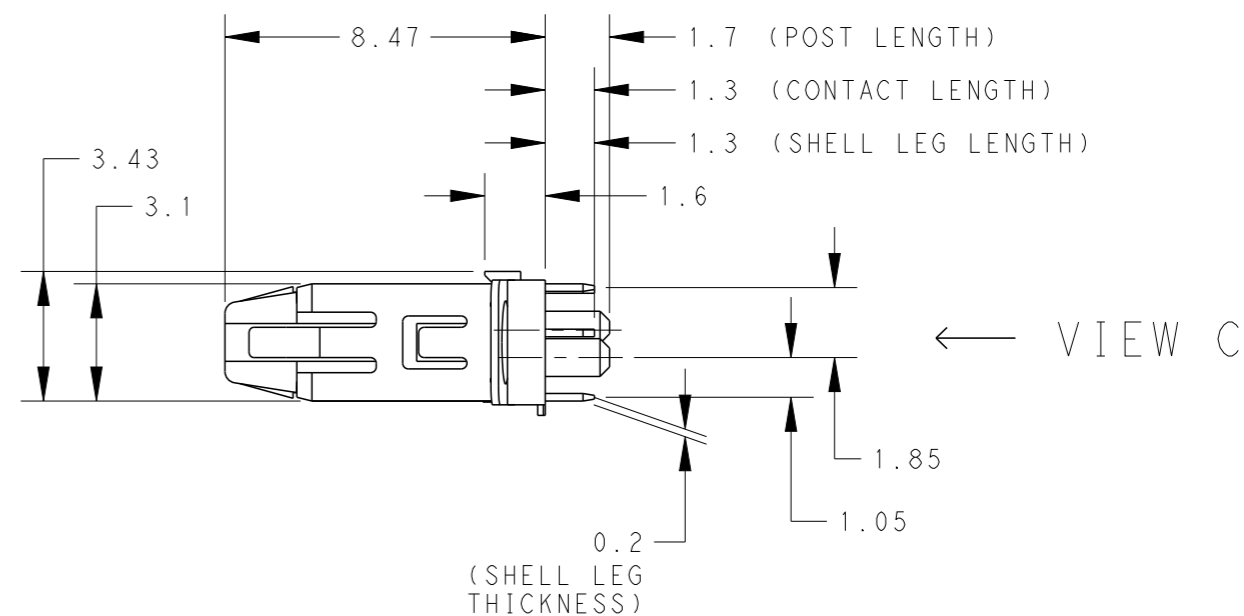
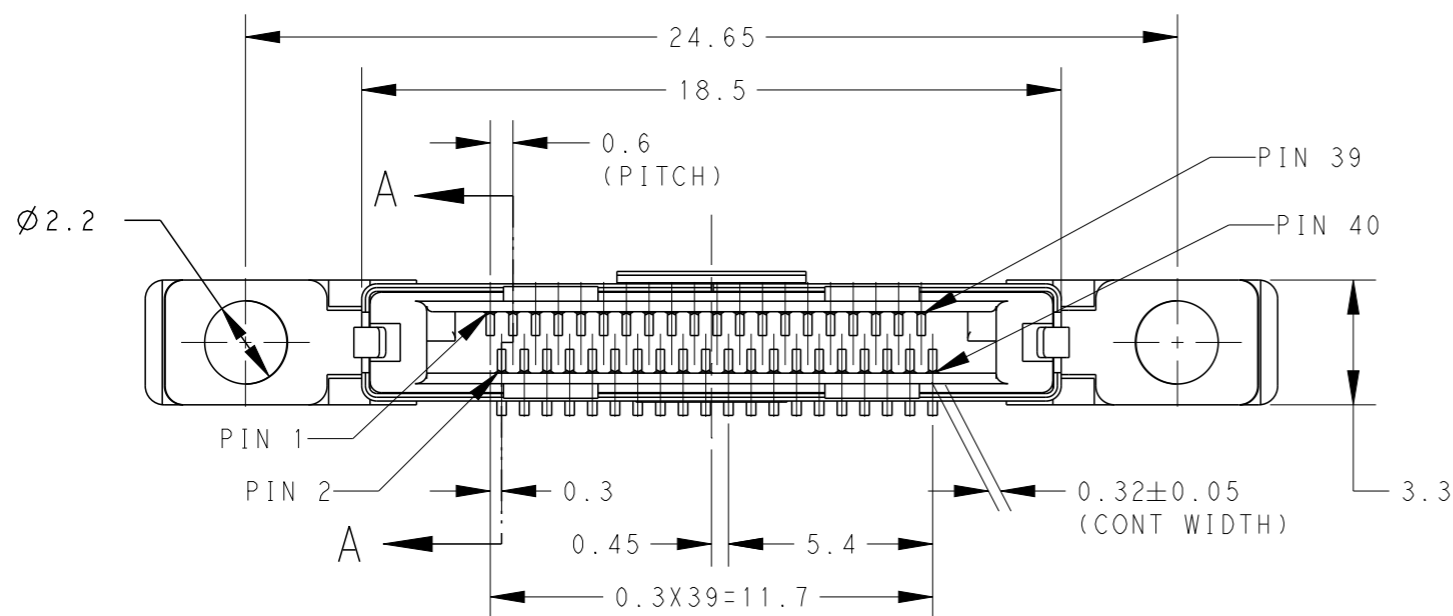
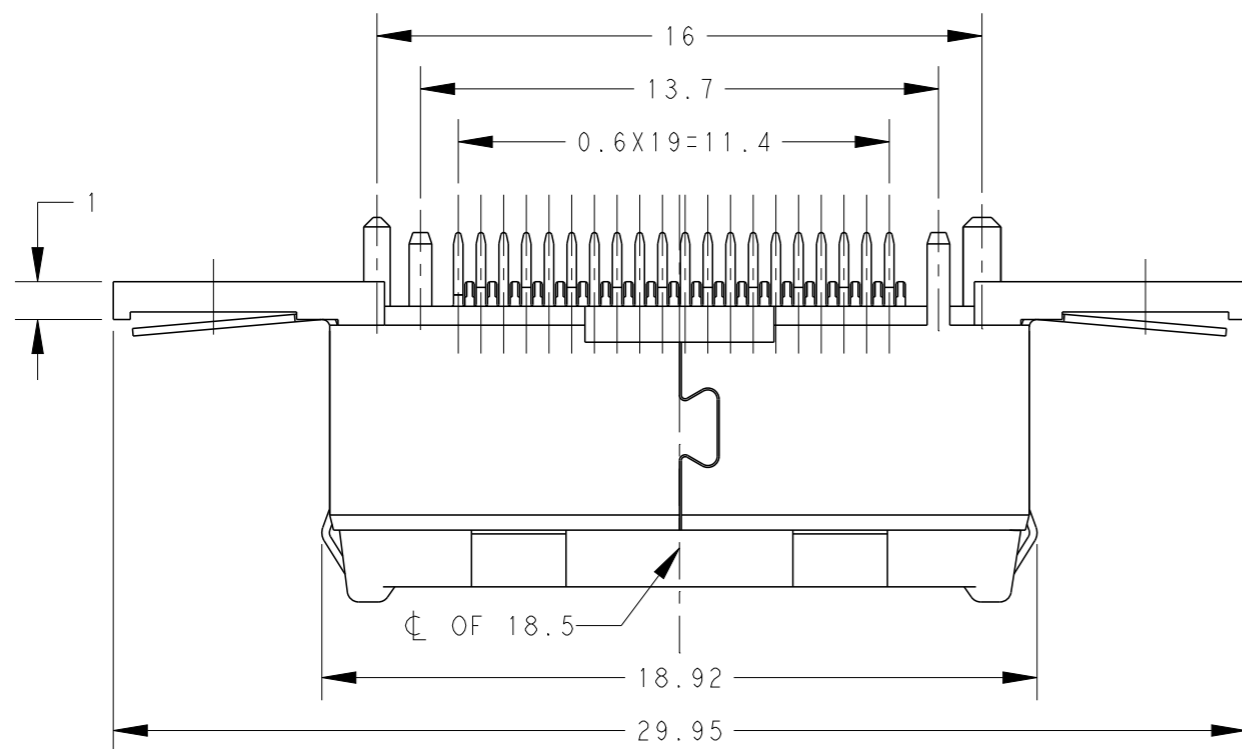
LOC DW DIST

REVISIONS

P	LTR	DESCRIPTION	DATE	DWN	APVD
		SEE SHEET 1			


2129261-1; AS SHOWN

W/O CAP CONDITION



VIEW B

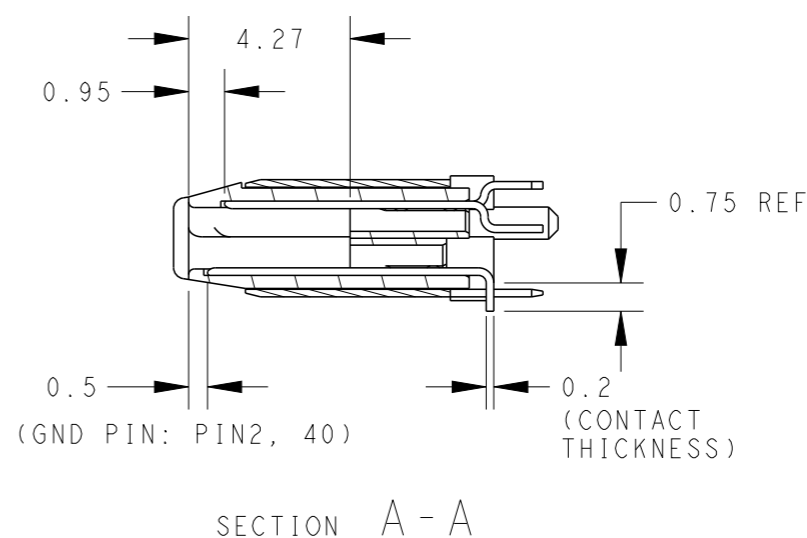
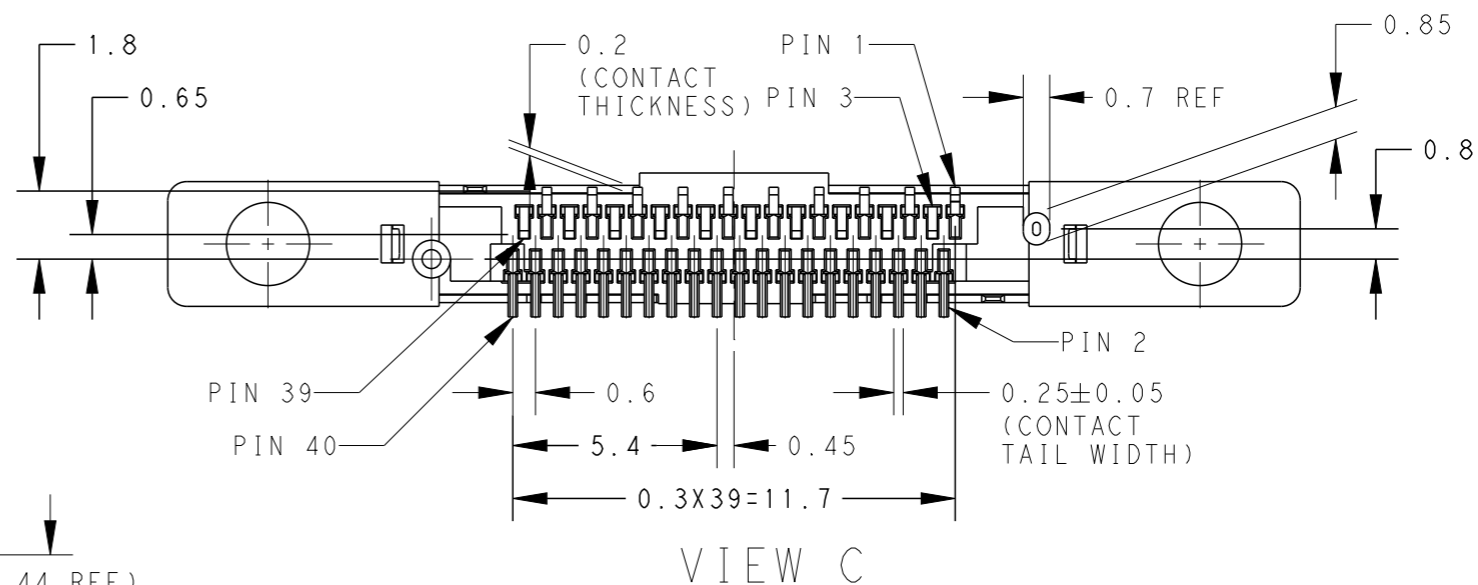
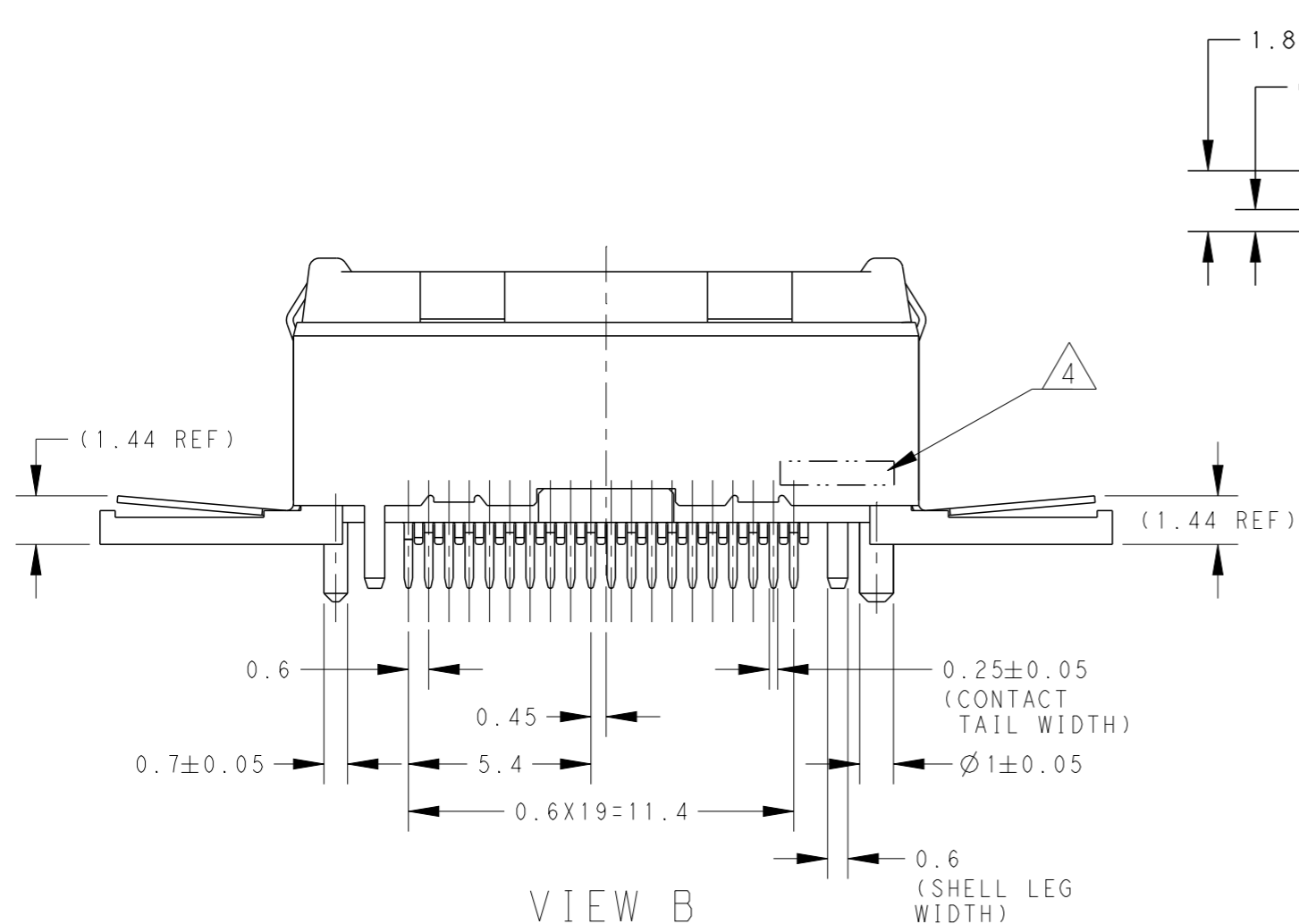
VIEW C

THIS DRAWING IS A CONTROLLED DOCUMENT.		DWN	-	 TE Connectivity	NAME PLUG ASSY, 0.6mm PITCH CHAMP DOCKING CONNECTOR, 40POS		
DIMENSIONS: mm		CHK	-				
TOLERANCES UNLESS OTHERWISE SPECIFIED:		APVD	-				
0 PLC ± 1 PLC ± ±0.25 2 PLC ± ±3° 3 PLC ± 4 PLC ± ANGLES ± FINISH -		PRODUCT SPEC	-				
MATERIAL		APPLICATION SPEC	-	SIZE	CAGE CODE	DRAWING NO	RESTRICTED TO
		WEIGHT	0.97g	A3	00779	C-2129261	-
		CUSTOMER DRAWING		SCALE	5:1	SHEET	2 OF 5
							REV D

LOC DW DIST

REVISIONS

P	LTR	DESCRIPTION	DATE	DWN	APVD
		SEE SHEET 1			



THIS DRAWING IS A CONTROLLED DOCUMENT.

DIMENSIONS: mm

TOLERANCES UNLESS OTHERWISE SPECIFIED:

0 PLC	±	±0.25
1 PLC	±	±0.25
2 PLC	±	±3°
3 PLC	±	±3°
4 PLC	±	±3°
ANGLES	±	±
FINISH	-	-

MATERIAL -

DWN	-
CHK	-
APVD	-
PRODUCT SPEC	-
APPLICATION SPEC	-
WEIGHT	-
CUSTOMER DRAWING	-

**STE** TE Connectivity

NAME: PLUG ASSY, 0.6mm PITCH CHAMP DOCKING CONNECTOR, 40POS

SIZE	CAGE CODE	DRAWING NO	RESTRICTED TO
A3	00779	C-2129261	-

SCALE: 5:1 SHEET 3 OF 5 REV D

4

3

2

1

THIS DRAWING IS UNPUBLISHED.

RELEASED FOR PUBLICATION

20

LOC

DIST

REVISIONS

© COPYRIGHT 20 BY -

ALL RIGHTS RESERVED.

DW

P

LTR

DESCRIPTION

DATE

DWN

APVD

SEE SHEET 1

CONNECTOR EDGE

REF 3.3

5

0.1 A B TYP(2) (NPTH)

0.05 B A TYP(20)

0.55 TYP(20)

0.05 A B TYP(20)

1 ± 0.03 (NPTH)

1.8

0.4

0.8

1.05

0.85 TYP(20)

P1

5.4

1.2

0.6

11.4

0.45 TYP(2)

1.5

0.05 B A TYP(2)

1 TYP(2)

0.5 TYP(2)

0.05 A B TYP(2)

1.85

0.65

-B-

0.23

1.6 TYP(20)

0.35 TYP(20)

0.05 B A TYP(20)

1.15 ± 0.03 (NPTH)

0.6

0.45

5.4

P3

P37

P39

P40

11.4

13.7

16

-A-

24.65

5

29.95 REF

RECOMMENDED P.C. BOARD LAYOUT  
(TOP VIEW)

5 CONNECTOR OUTLINE

THIS DRAWING IS A CONTROLLED DOCUMENT.

DIMENSIONS:

mm

TOLERANCES UNLESS OTHERWISE SPECIFIED:

0 PLC	±	±0.05
1 PLC	±	±0.05
2 PLC	±	±3°
3 PLC	±	±3°
4 PLC	±	±3°
ANGLES	±	±

MATERIAL

FINISH

DWN	-
CHK	-
APVD	-
PRODUCT SPEC	-
APPLICATION SPEC	-
WEIGHT	-

TE Connectivity

NAME

PLUG ASSY, 0.6mm PITCH  
CHAMP DOCKING CONNECTOR, 40POS

SIZE

CAGE CODE

DRAWING NO

RESTRICTED TO

A3

00779

C-2129261

-

CUSTOMER DRAWING

SCALE 8:1

SHEET 4 OF 5

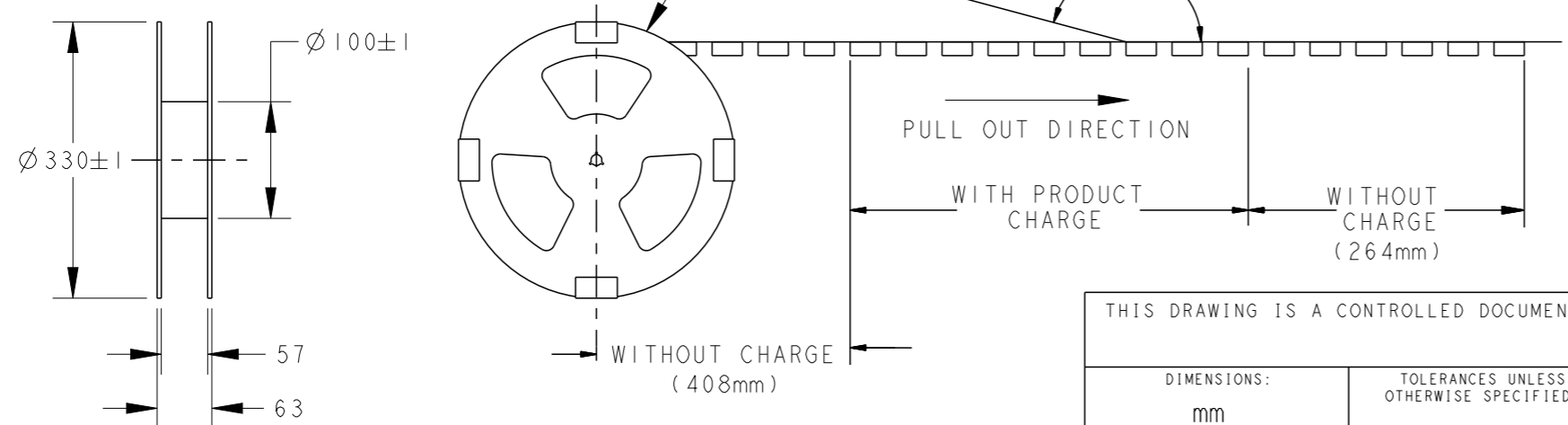
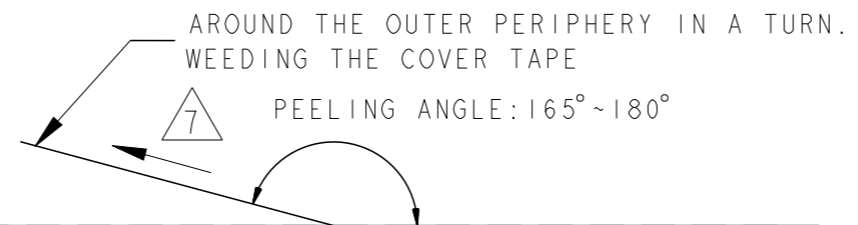
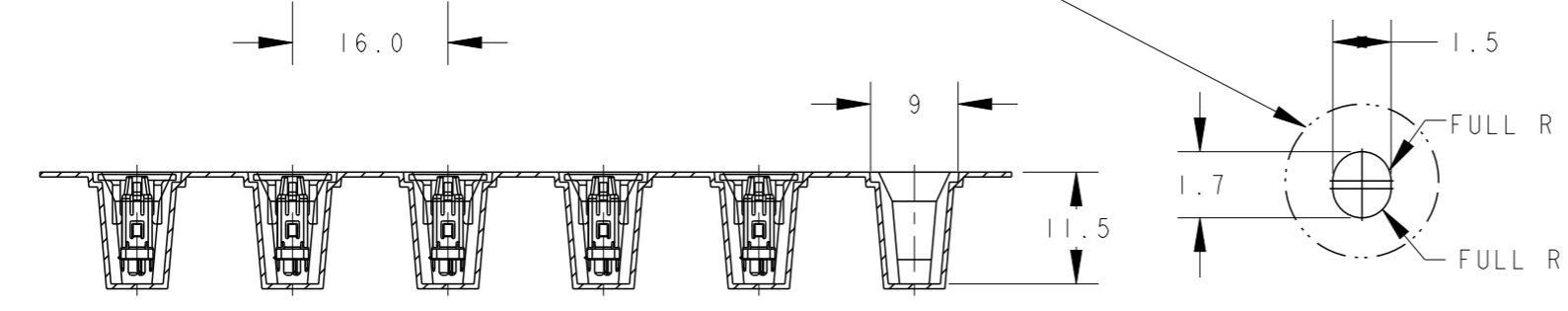
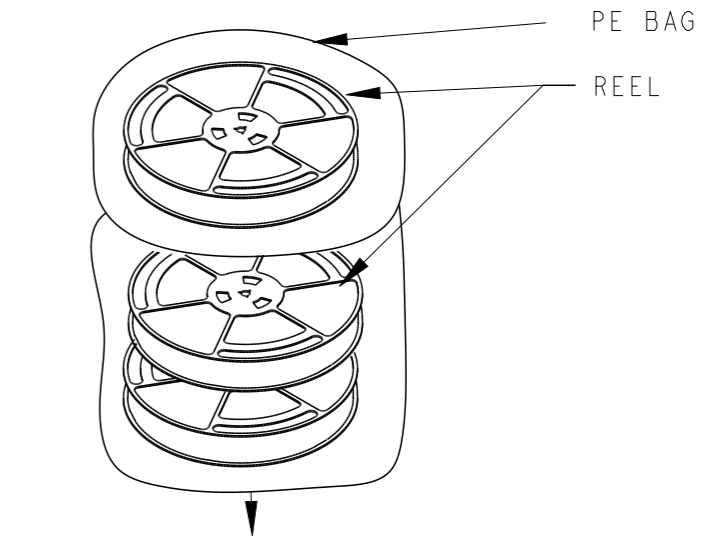
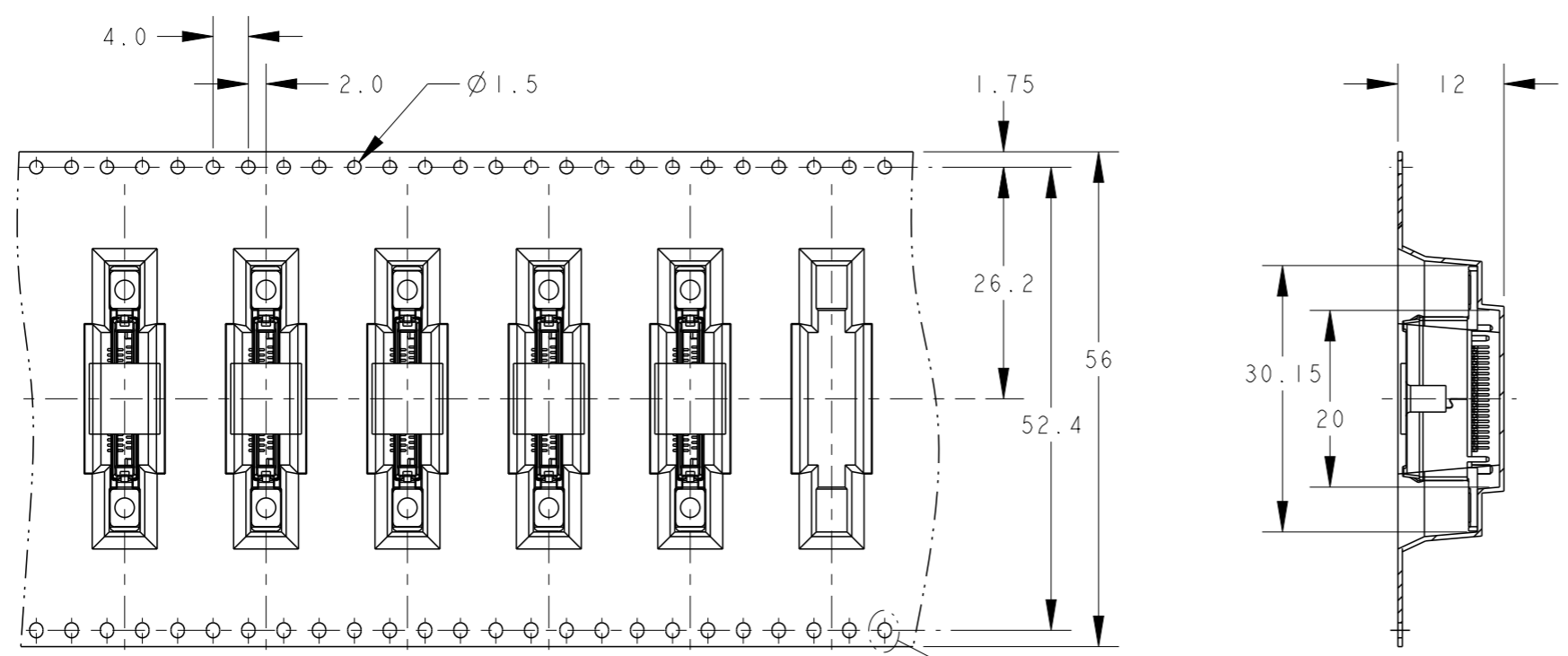
REV D

1470-19 (3/11)

THIS DRAWING IS UNPUBLISHED. RELEASED FOR PUBLICATION 20  
 © COPYRIGHT 20 BY - ALL RIGHTS RESERVED.

LOC DW DIST

REVISIONS				
P	LTR	DESCRIPTION	DATE	APVD
		SEE SHEET 1		



6. PACKING MATERIAL:  
 CARRY TAPE: PS; COLOR:BLACK.  
 COVER TAPE: PET; COLOR: CLEAR.  
 PEELING STRENGTH OF COVER TAPE: 0.2N~1.2N

300	3	900
PCS/ TAPE	REELS/ CARTON	TOTAL QUANTITY

THIS DRAWING IS A CONTROLLED DOCUMENT.		DWN	-	<b>STE</b> TE Connectivity
DIMENSIONS: mm		CHK	-	
TOLERANCES UNLESS OTHERWISE SPECIFIED:		APVD	-	
0 PLC ± 1 PLC ± ±0.5 2 PLC ± ±3° 3 PLC ± 4 PLC ± ANGLES ± FINISH -		PRODUCT SPEC	-	
MATERIAL -		APPLICATION SPEC	-	NAME PLUG ASSY, 0.6mm PITCH CHAMP DOCKING CONNECTOR, 40POS
		WEIGHT	-	SIZE A3
		CUSTOMER DRAWING	-	CAGE CODE 00779
			-	DRAWING NO C-2129261
			-	RESTRICTED TO
			-	SCALE 8:1
			-	SHEET 5 OF 5
			-	REV D