

4

3

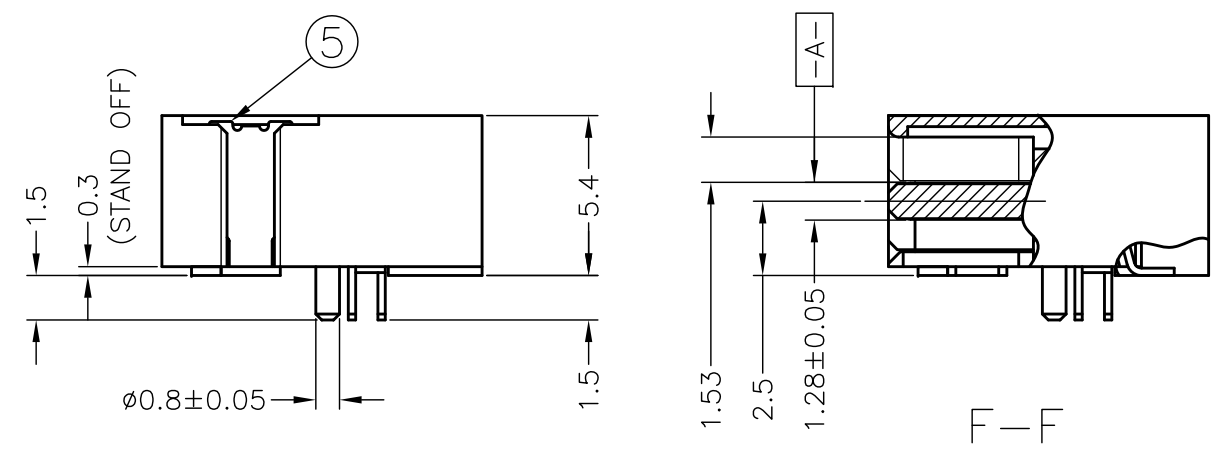
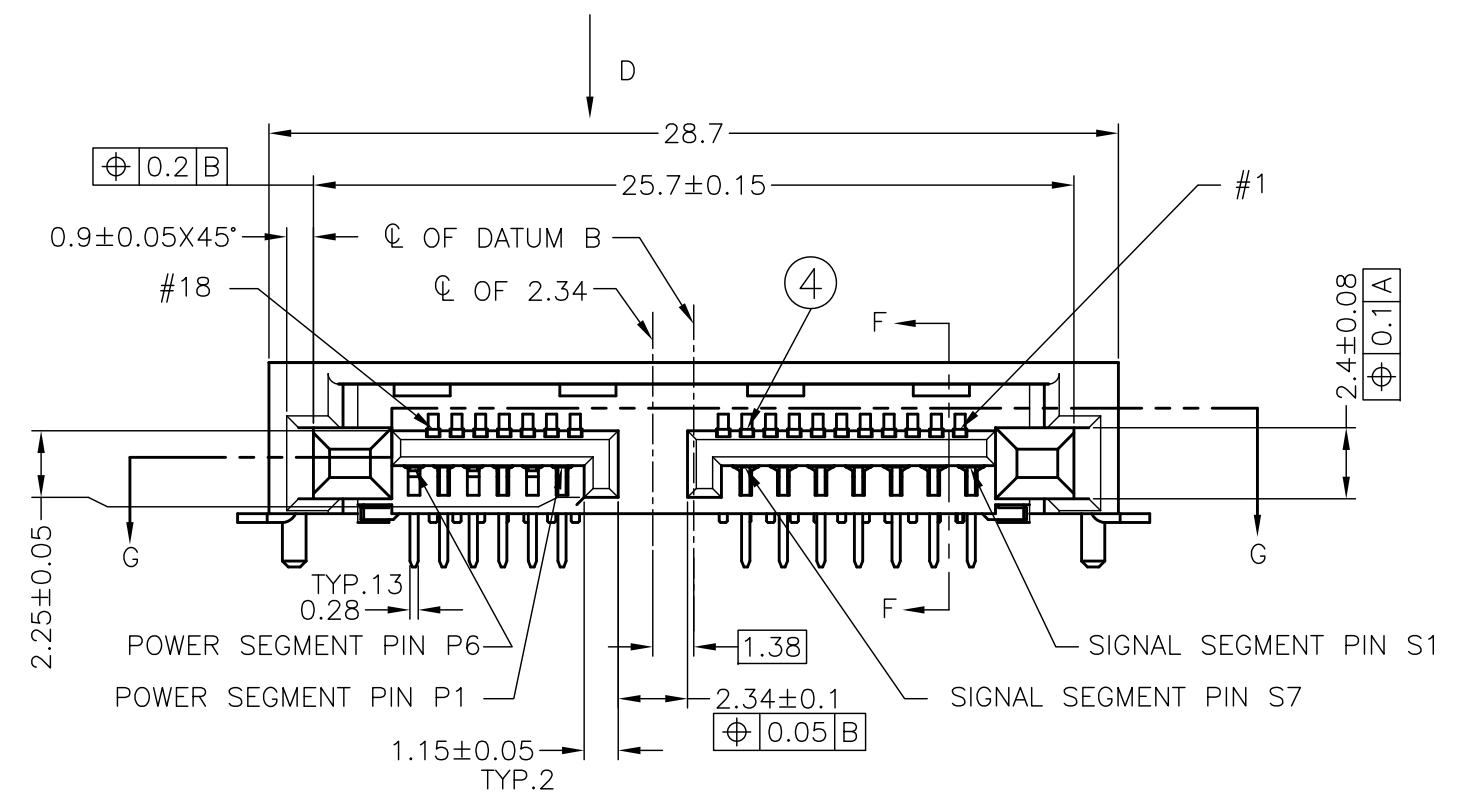
2

1

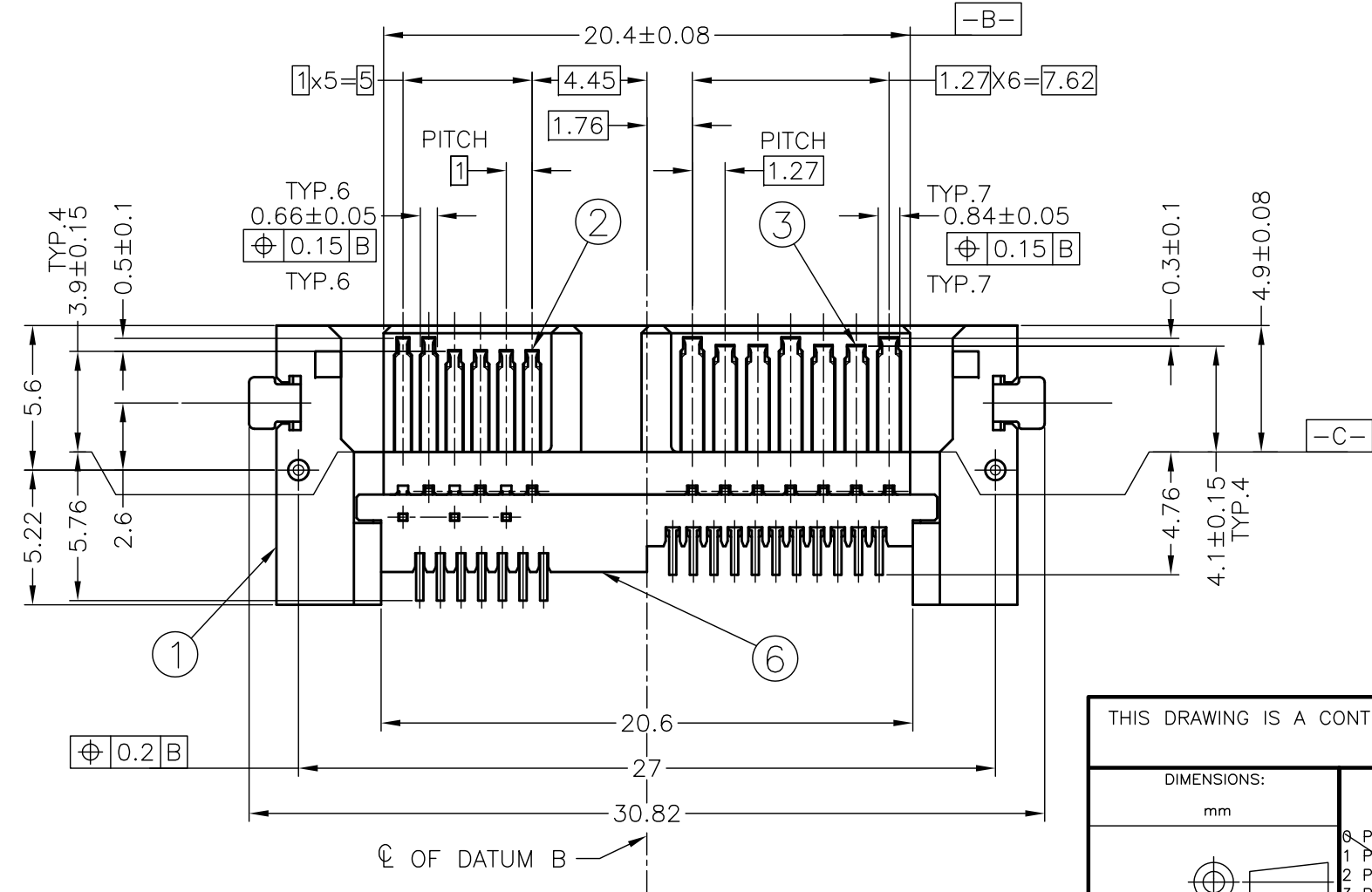
THIS DRAWING IS UNPUBLISHED. RELEASED FOR PUBLICATION
 © COPYRIGHT - By - ALL RIGHTS RESERVED.

LOC	DIST	REVISIONS					
DW		P	LTR	DESCRIPTION	DATE	DWN	APVD
		B1		RELEASED	07FEB2014	W.C	V.P

2129115-1; -3 : AS SHOWN



- △ MATERIAL;
 HOUSING: HIGH TEMPERATURE THERMO PLASTIC, UL94V-0, COLOR:BLACK
 TINE PLATE: HIGH TEMPERATURE THERMO PLASTIC, UL94V-0, COLOR:BLACK
 CONTACT: COPPER ALLOY
 SOLDER PEG: COPPER ALLOY
- △ FINISH;
 CONTACT: ALL OVER 1.27μm MIN NICKEL UNDER PLATING.
 CONTACT AREA: AU PLATING, SEE TABLE ON SHEET 2
 TINE AREA: 1.27μm MIN MATTE TIN PLATING
 SOLDER PEG: TINE AREA: 2.54μm MIN MATTE TIN PLATING
 ALL OVER 1.27μm MIN NICKEL UNDER PLATING.
- ④ PICK & PLACE VACUUM AREA
- ⑤ DATE CODE
- 6. NET WEIGHT: 3.685g
- 7. LOW HALOGEN SPECIFICATION
 CHLORINE(CI) : 900 ppm MAX.
 BROMINE(Br) : 900 ppm MAX.
 CHLORINE(CI) & BROMINE(Br) : 1500 ppm MAX.



QTY	NAME	ITEM NO.
1	TINE PLATE	⑥
2	SOLDER PEG	⑤
18	PLUS CONTACT	④
7	SIGNAL CONTACT	③
6	POWER CONTACT	②
1	HOUSING	①

PARTS LIST

THIS DRAWING IS A CONTROLLED DOCUMENT.		DWN U.CHUANG 12AUG2010	TE Connectivity	
DIMENSIONS: mm		CHK V.PENG 12AUG2010		
TOLERANCES UNLESS OTHERWISE SPECIFIED:		APVD W.KODAMA 12AUG2010	NAME	
6 PLC ± 1 PLC ± ±0.25 2 PLC ± ±3 3 PLC ± ± 4 PLC ± ± ANGLES ±		PRODUCT SPEC	PLUG ASSY	
MATERIAL		APPLICATION SPEC	SLIMLINE SATA PLUS	
FINISH		108-99030	SIZE	CAGE CODE
△ 1 △ 2		WEIGHT	A3	00779
		CUSTOMER DRAWING	DRAWING NO. C-2129115	
		SCALE	RESTRICTED TO	
		4:1	-	
		SHEET	REV	
		1 OF 4	B1	

4

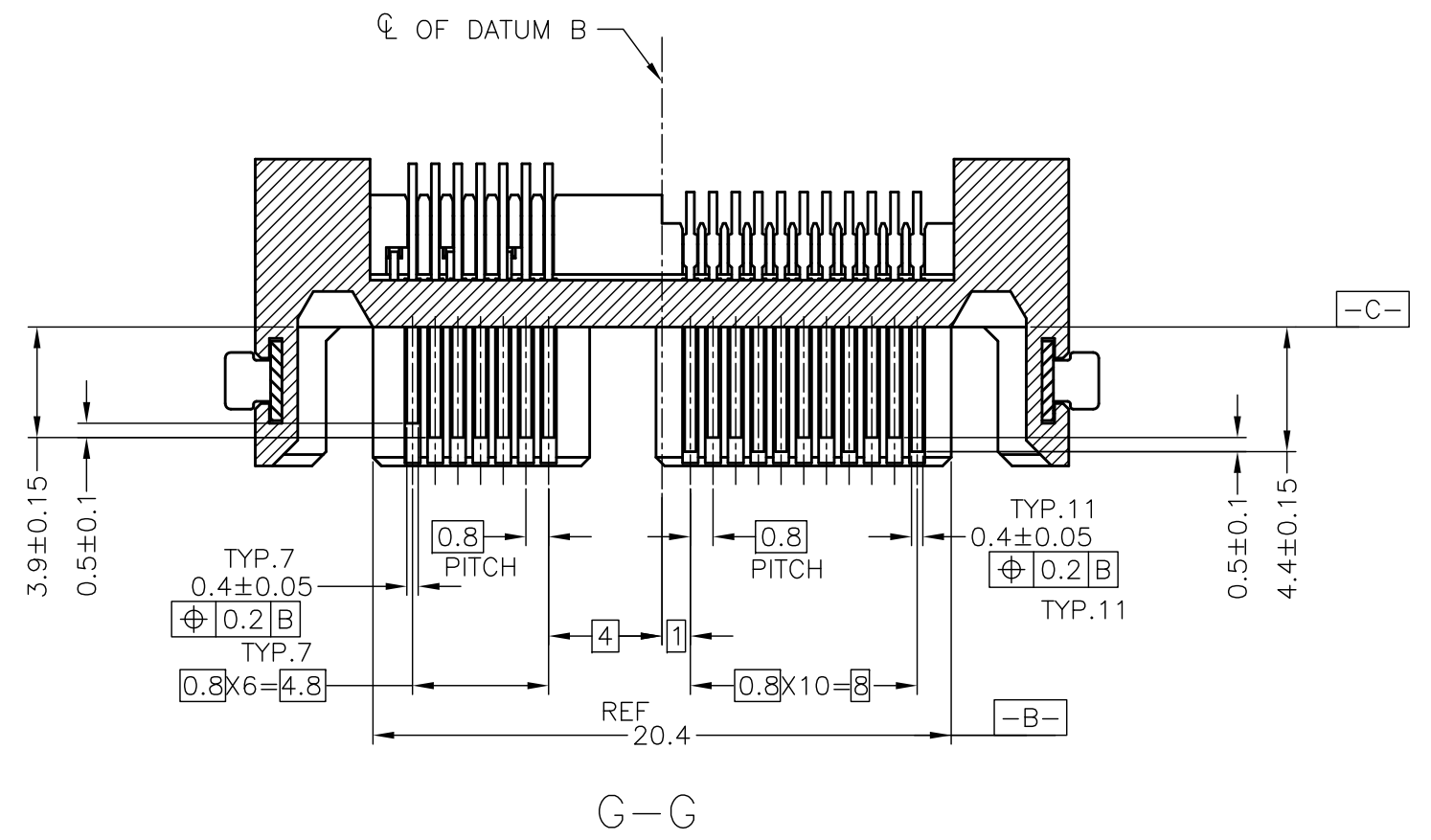
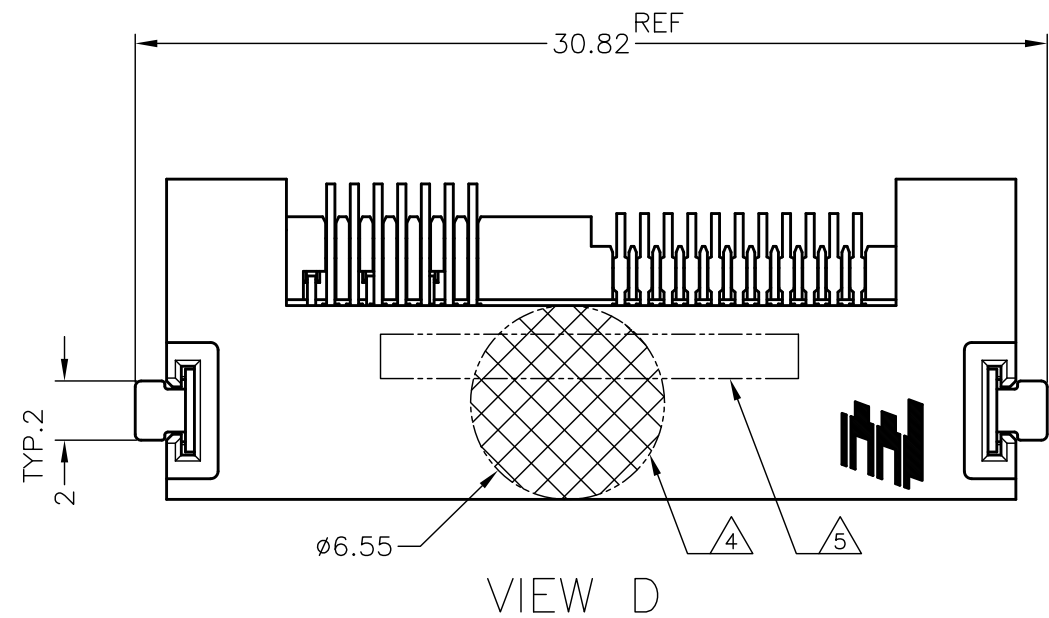
3

2

1

THIS DRAWING IS UNPUBLISHED. RELEASED FOR PUBLICATION
 © COPYRIGHT - By - ALL RIGHTS RESERVED.

LOC	DIST	REVISIONS			
P	LTR	DESCRIPTION	DATE	DWN	APVD
-	-	SEE SHEET 1	-	-	-



#18	HPD_PLUG_DETECT		
#17	SMB_CLK		
#16	SMB_DATA		
#15	PERST#		
#14	WAKE#		
#13	CLKREQ#	P6	GND
#12	+5V	P5	GND
#11	GND	P4	MANUFACTURING DIAGNOSTIC
#10	PERX-	P3	+5V
#9	PERX+	P2	+5V
#8	GND	P1	DEVICE PRESENT
#7	GND	S7	GND
#6	PETX-	S6	B+
#5	PETX+	S5	B-
#4	GND	S4	GND
#3	REFCLK-	S3	A-
#2	REFCLK+	S2	A+
#1	GND	S1	GND
PIN	DESCRIPTION	PIN	DESCRIPTION

G/F	2129115-3
	2129115-2
0.76µm	2129115-1
CONTACT	PART NUMBER
AU PLATING	

THIS DRAWING IS A CONTROLLED DOCUMENT.		DWN		TE Connectivity	
DIMENSIONS: mm		CHK			
TOLERANCES UNLESS OTHERWISE SPECIFIED:		APVD		NAME	
6 PLC ± 1 PLC ± ±0.25 2 PLC ± ±3° 3 PLC ± ± 4 PLC ± ± ANGLES ± ±		PRODUCT SPEC		PLUG ASSY SLIMLINE SATA PLUS	
MATERIAL		FINISH		APPLICATION SPEC	
				RESTRICTED TO	
		WEIGHT		SIZE CAGE CODE DRAWING NO	
		CUSTOMER DRAWING		A3 00779 C-2129115	
		SCALE 4:1		SHEET 2 OF 4	
				REV B1	

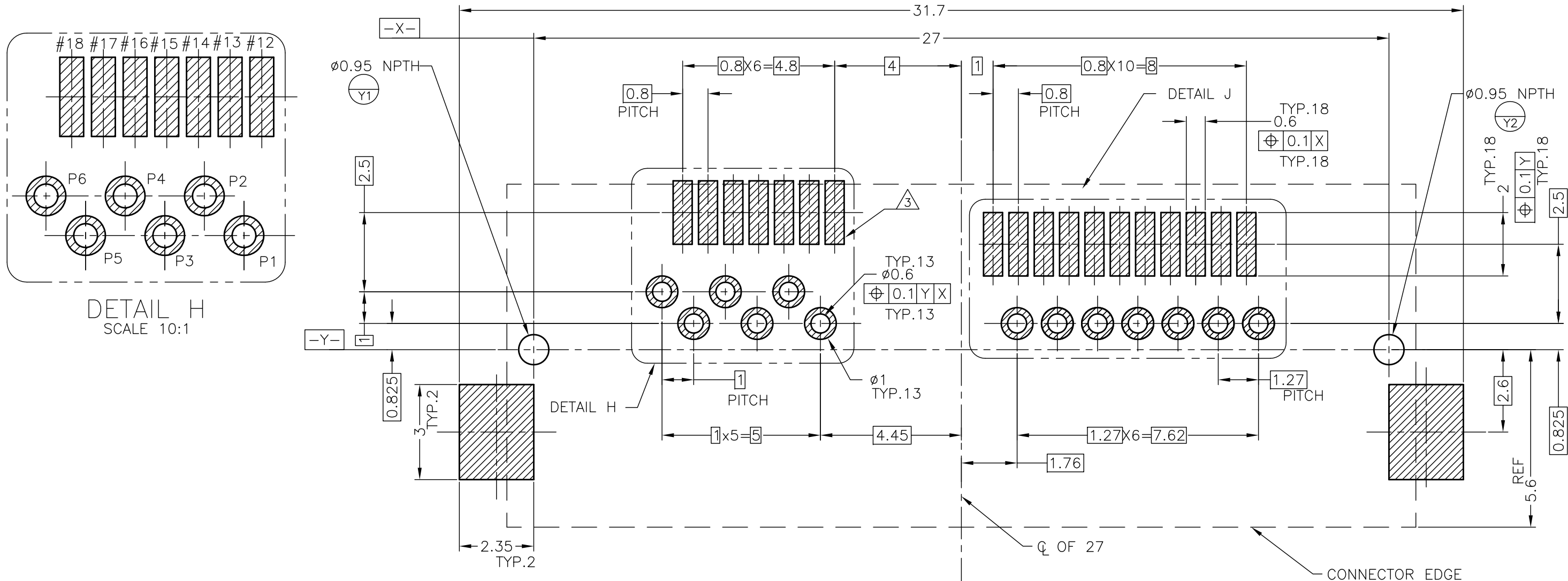
THIS DRAWING IS UNPUBLISHED.

RELEASED FOR PUBLICATION

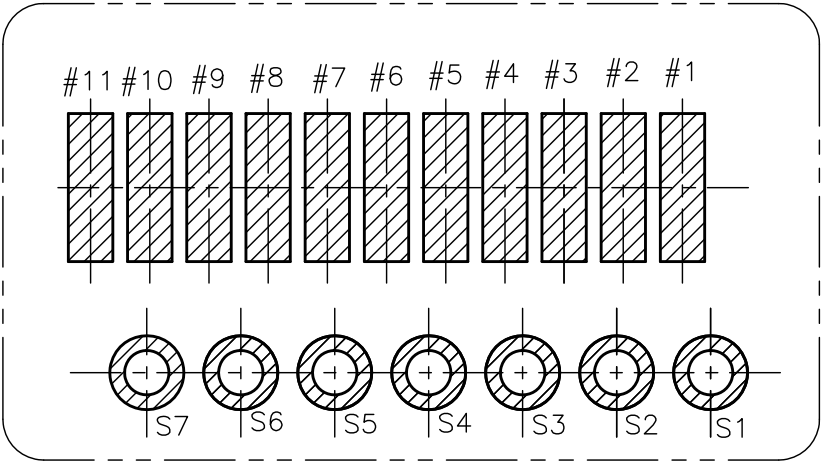
ALL RIGHTS RESERVED.

© COPYRIGHT - By -

LOC	DIST	REVISIONS			
P	LTR	DESCRIPTION	DATE	DWN	APVD
DW		SEE SHEET 1	-	-	-



RECOMMENDED PCB LAYOUT (THICKNESS=1.0±0.1)
MOUNTING SIDE



DETAIL J
SCALE 10:1

△ PAD AREA

THIS DRAWING IS A CONTROLLED DOCUMENT.		DWN		TE Connectivity	
DIMENSIONS: mm		CHK			
TOLERANCES UNLESS OTHERWISE SPECIFIED:		APVD		NAME	
6 PLC ± 1 PLC ± ±0.05 2 PLC ± ±1° 3 PLC ± ± 4 PLC ± ± ANGLES ± ±		PRODUCT SPEC		PLUG ASSY SLIMLINE SATA PLUS	
MATERIAL		FINISH		APPLICATION SPEC	
		WEIGHT		RESTRICTED TO	
CUSTOMER DRAWING		SCALE 8:1		SHEET 3 OF 4	
		REV B1		SIZE A3 CAGE CODE 00779 DRAWING NO. 2129115	

4

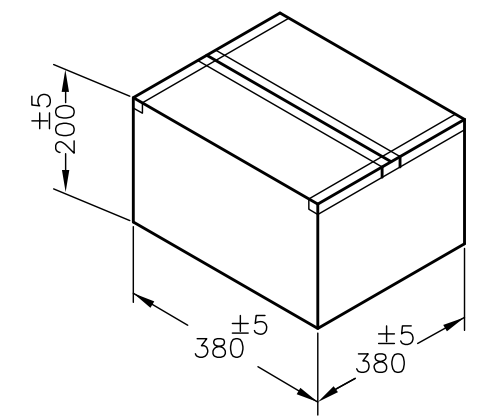
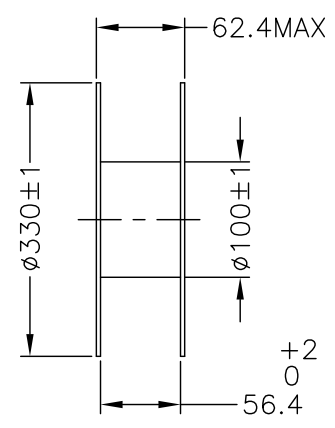
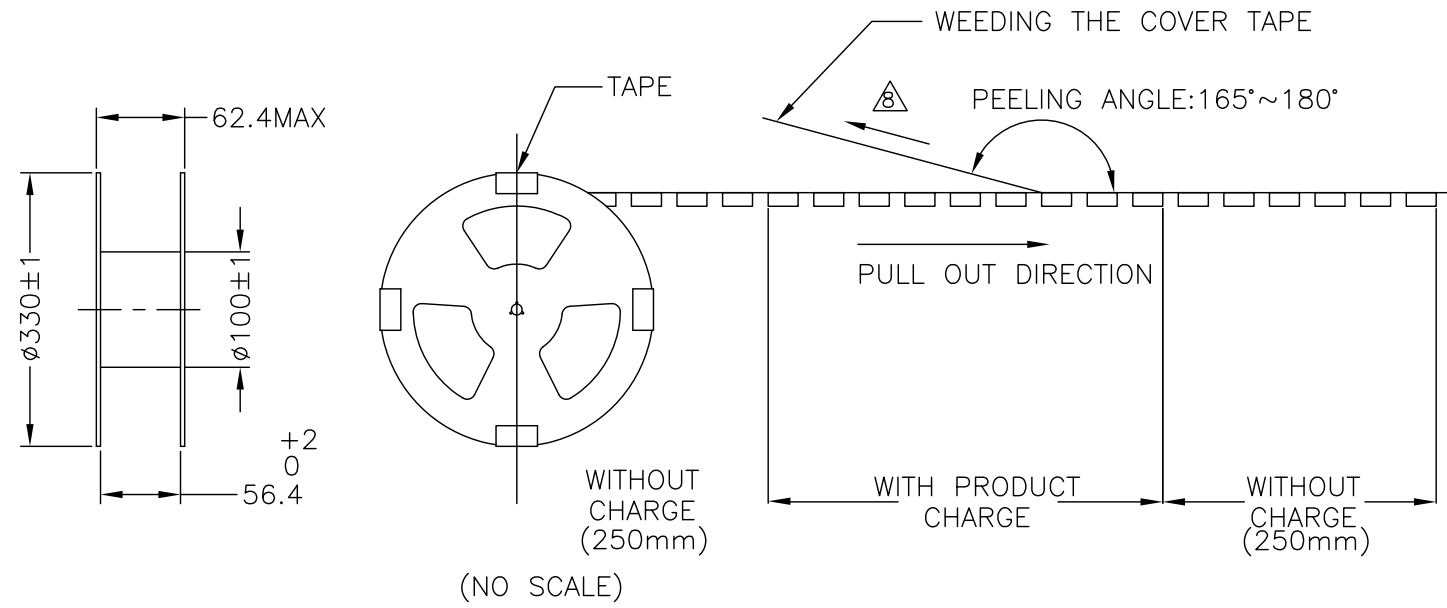
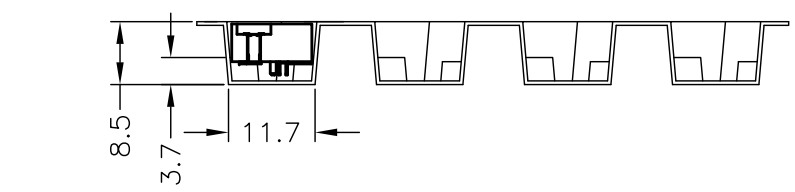
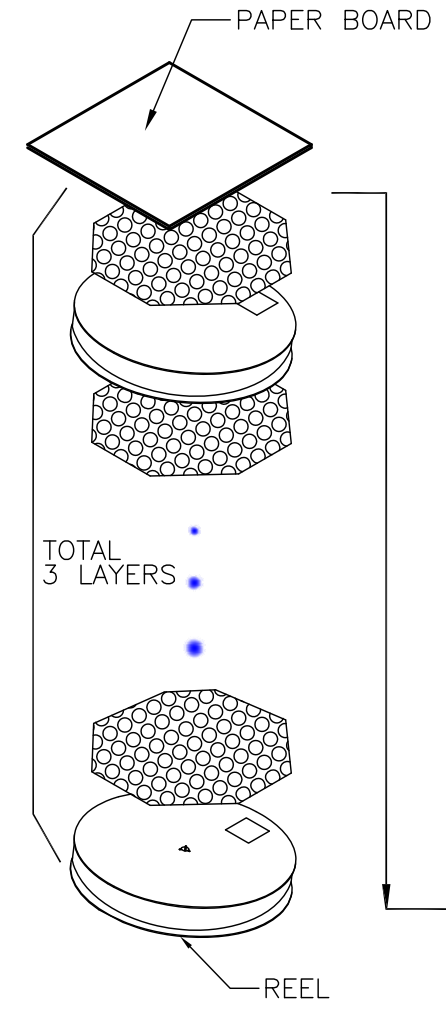
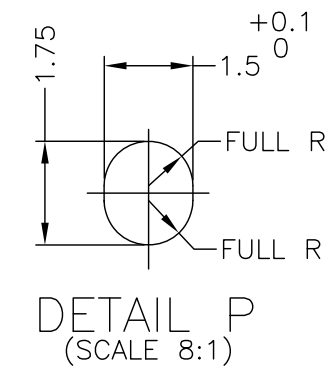
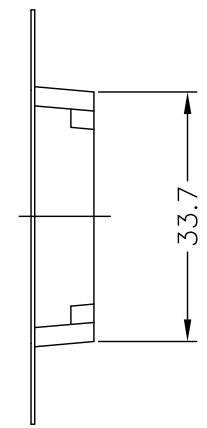
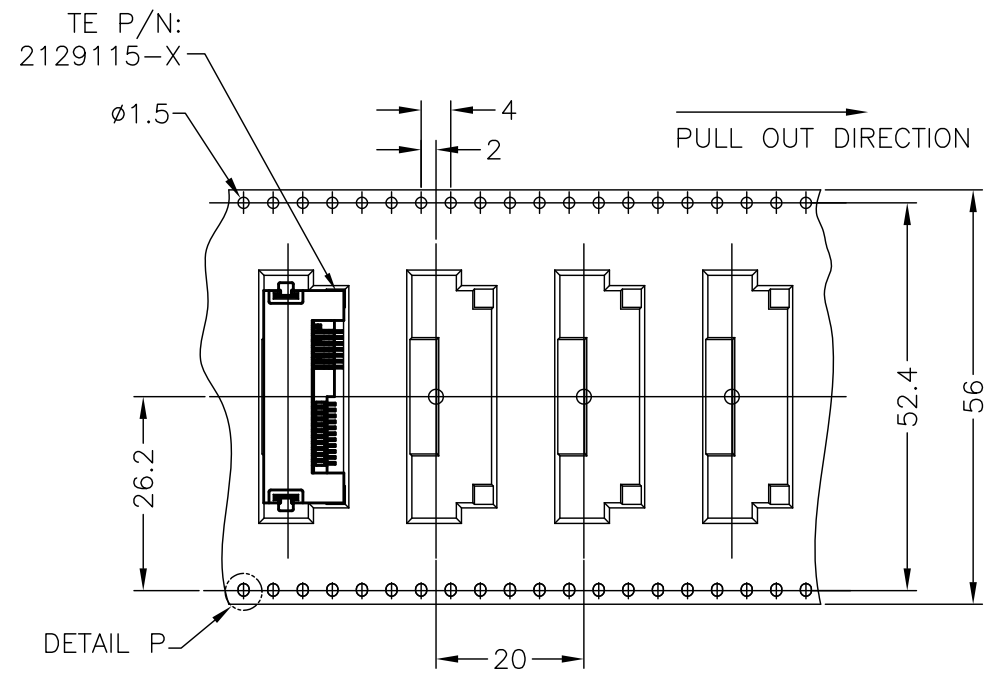
3

2

1

THIS DRAWING IS UNPUBLISHED. RELEASED FOR PUBLICATION
 © COPYRIGHT - By - ALL RIGHTS RESERVED.

LOC	DIST	REVISIONS			
P	LTR	DESCRIPTION	DATE	DWN	APVD
-	-	SEE SHEET 1	-	-	-



- 9. PEELING STRENGTH OF COVER TAPE: 0.2N ~1.2N
 9. PACKING MATERIAL: CARRY TAPE:HIPS;COLOR:CLEAR
 COVER TAPE:PET;COLOR:CLEAR
- 10. QUANTITY :
 10.1 PRIMARY PACKING: 350 PCS/REEL
 10.2 SECONDARY PACKING: 3 REELS(1050 PCS)/CARTON

THIS DRAWING IS A CONTROLLED DOCUMENT.		DWN		TE Connectivity NAME PLUG ASSY SLIMLINE SATA PLUS	
DIMENSIONS: mm		TOLERANCES UNLESS OTHERWISE SPECIFIED:			
		8 PLC ± 1 PLC ± ±0.5 2 PLC ± ±3° 3 PLC ± ± 4 PLC ± ± ANGLES ± ±		PRODUCT SPEC APPLICATION SPEC WEIGHT	
MATERIAL		FINISH		SIZE A3 CAGE CODE 00779 DRAWING NO. 2129115 RESTRICTED TO	
CUSTOMER DRAWING				SCALE 8:1 SHEET 4 OF 4 REV B1	