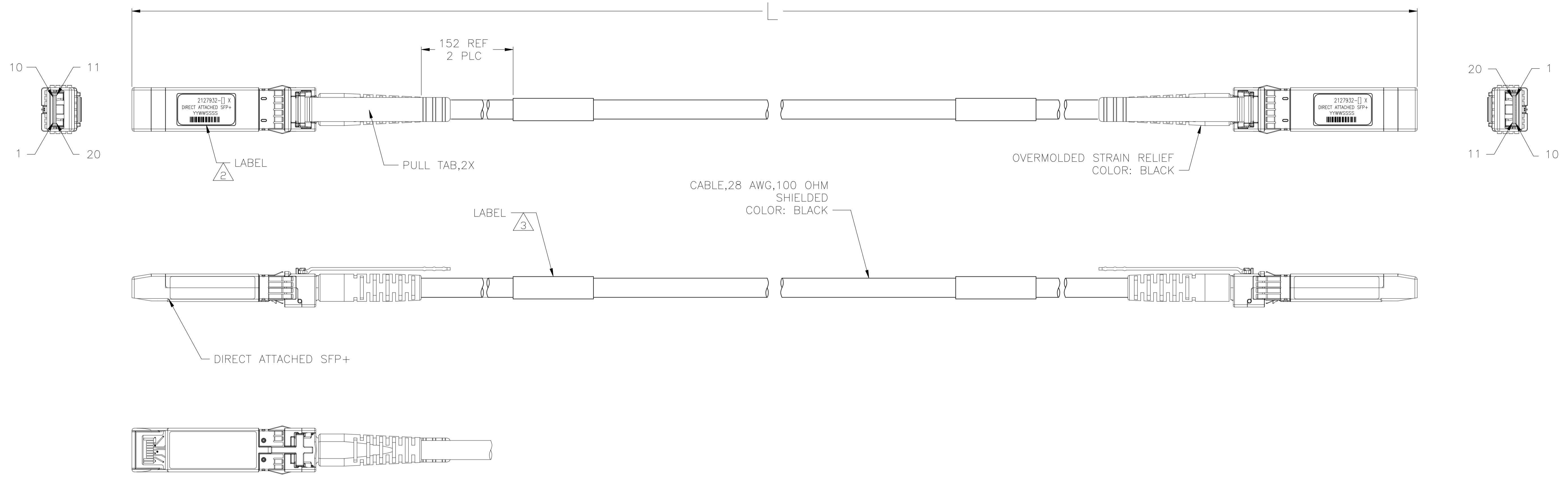
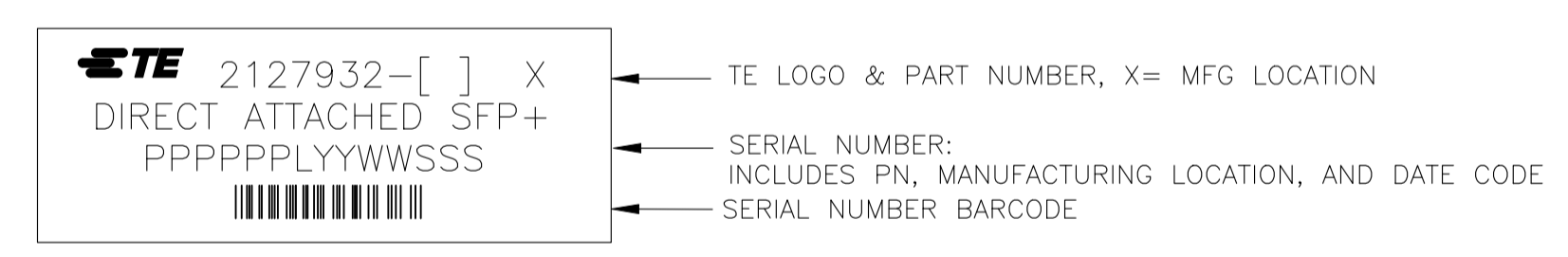


REVISIONS				
REV	DESCRIPTION	DATE	BY	APP'D
E	REVISED AS PER ECN-22-161279	27JUN2022	KK	AK

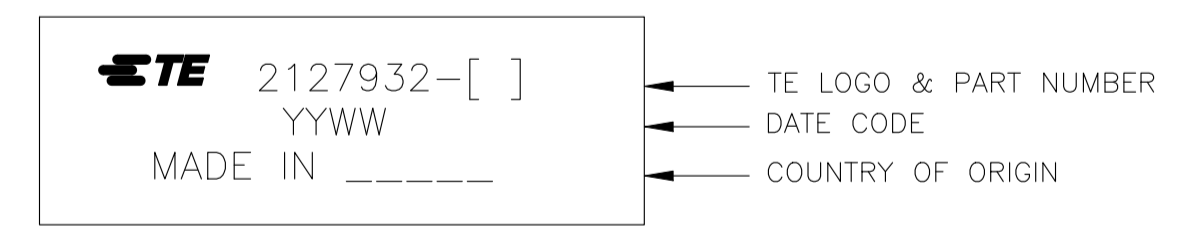


1. CHARACTERISTIC IMPEDANCE: 100±10 OHMS (MEASURED DIFFERENTIALLY).

2 LABEL INFORMATION:



3 LABEL INFORMATION:



4. SEE SHEET 2 FOR WIRING SCHEMATIC.

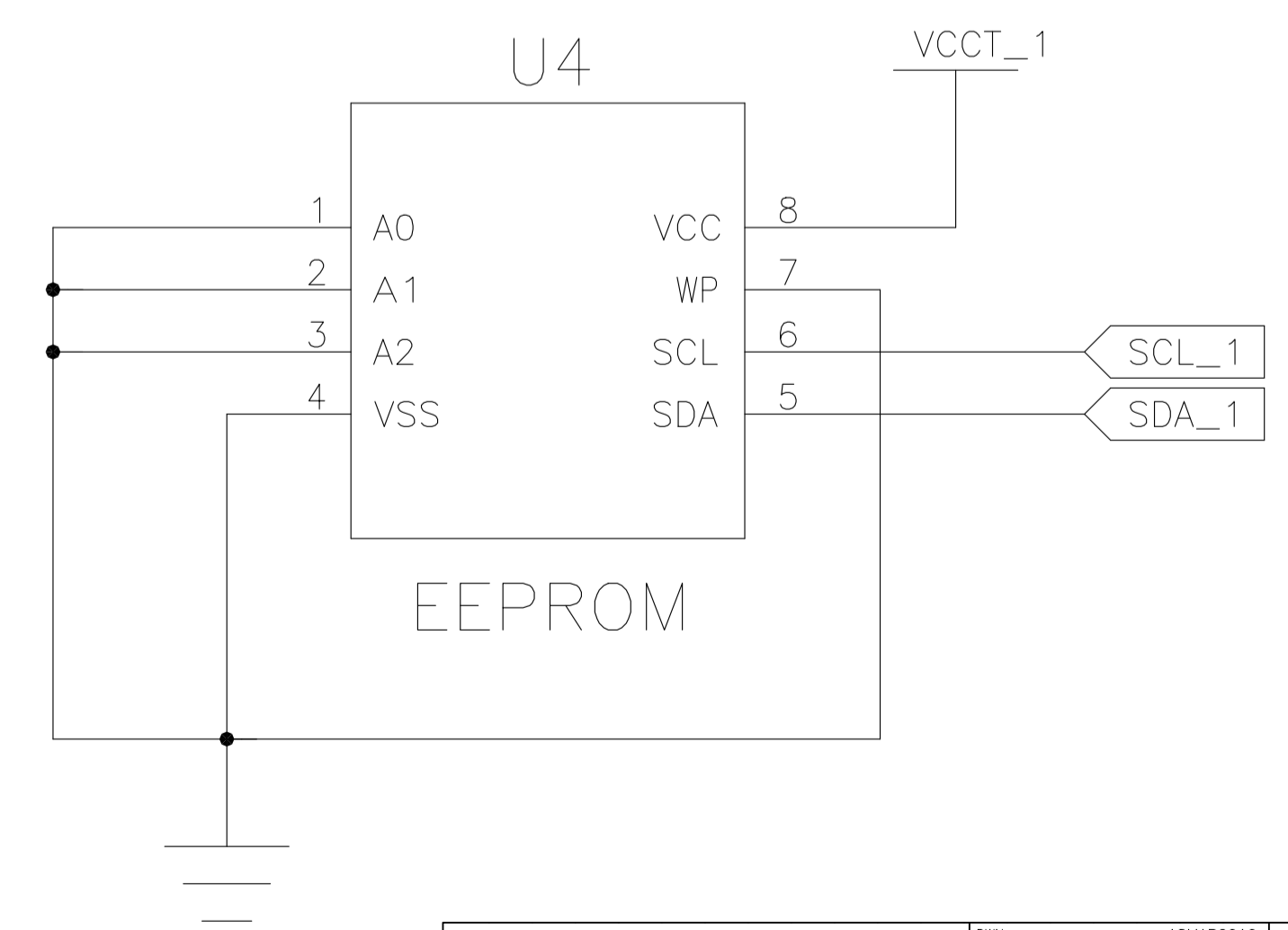
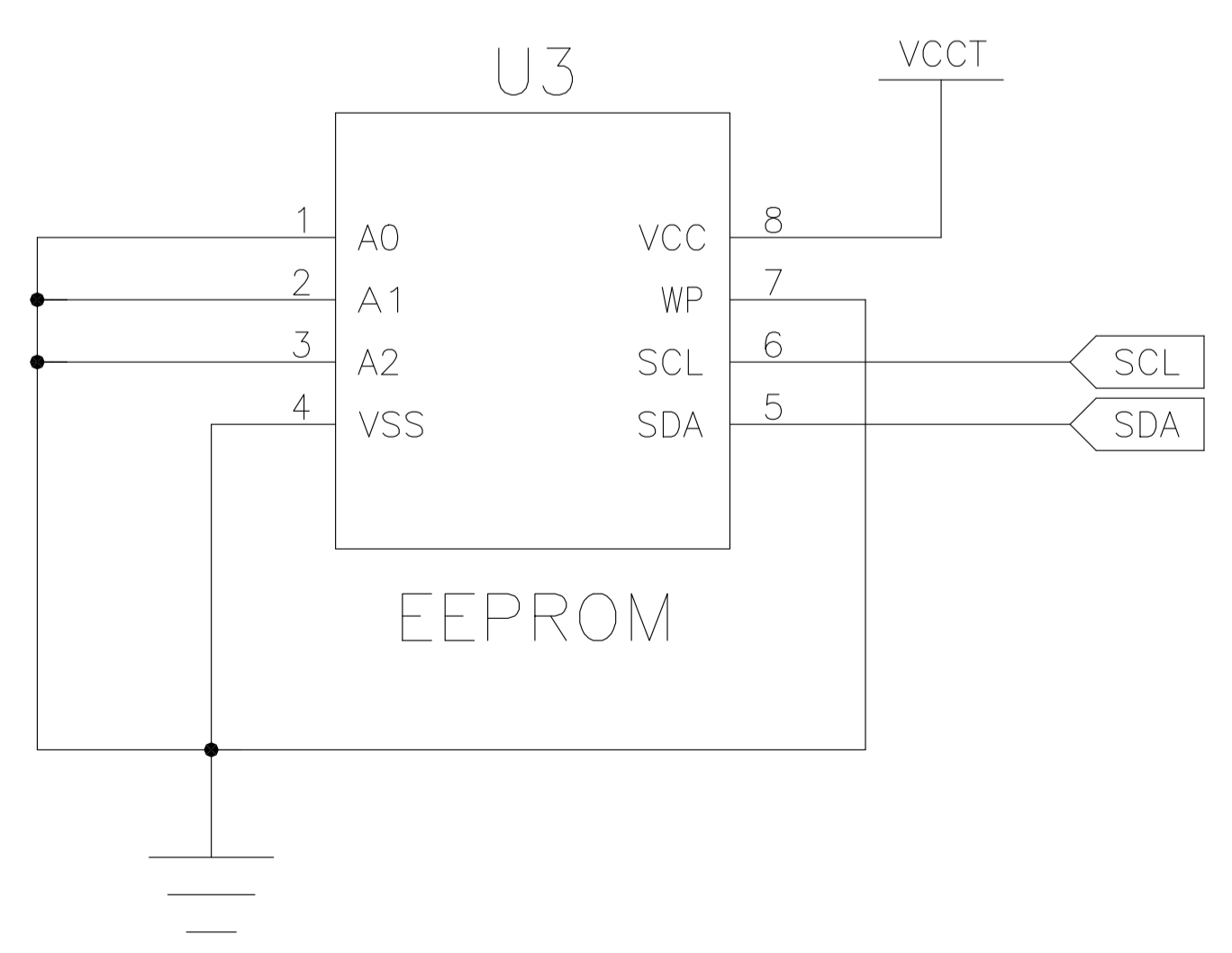
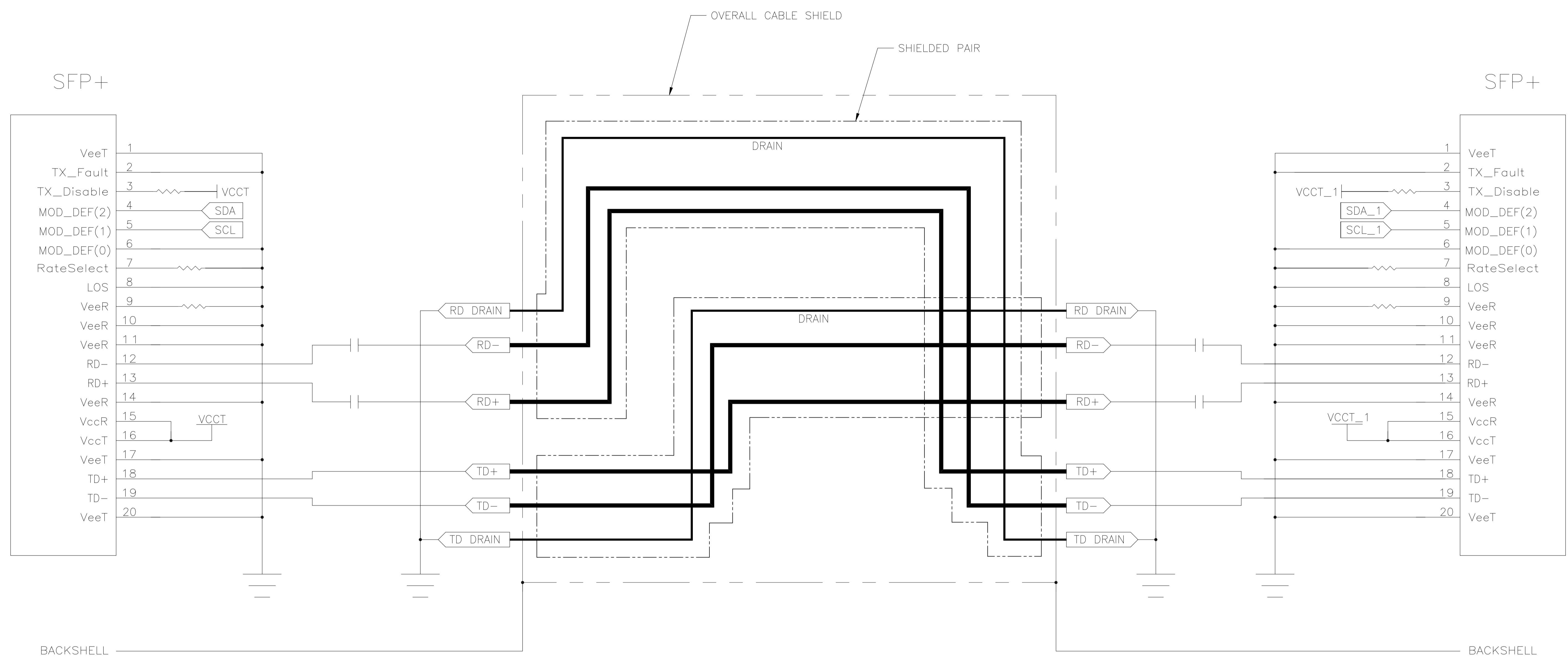
5. ROHS COMPLIANCE: PRODUCT AND PROCESSING MEETS REQUIREMENTS OF TE SPECIFICATION TEC-138-702.

3.5 ^{+0.08} ₋₀ METERS	2127932-7
5 ^{+0.1} ₋₀ METERS	2127932-6
4 ^{+0.08} ₋₀ METERS	2127932-5
3 ^{+0.08} ₋₀ METERS	2127932-4
2 ^{+0.08} ₋₀ METERS	2127932-3
1 ^{+0.05} ₋₀ METERS	2127932-2
0.5 ^{+0.05} ₋₀ METERS	2127932-1
L	PART NO

THIS DRAWING IS A CONTROLLED DOCUMENT.

DIMENSIONS: mm	TOLERANCES UNLESS OTHERWISE SPECIFIED:	DIN T.SMITH 18MAR2010	TE Connectivity Ltd.
0 PLC ± -	1 PLC ± -	CHK C.ADAMS 18MAR2010	CABLE ASSY, 28 AWG, SFP+ TO SFP+ NI_PLATED
2 PLC ± -	3 PLC ± -	APP'D G.ADAMS 18MAR2010	
4 PLC ± -	ANGLES ± -	NAME	SIZE: A1
MATERIAL	FINISH	APPLICATION SPEC	SCALE: 1:1
		WEIGHT	SHEET 1 of 2
		CUSTOMER DRAWING	REV E

REVISIONS					
REV	DATE	DESCRIPTION	BY	CHK	APPD
-	-	SEE SHEET 1	-	-	-



THIS DRAWING IS A CONTROLLED DOCUMENT.		DIN T.SMITH 18MAR2010	TE Connectivity Ltd.
DIMENSIONS: mm		CHK C.ADAMS 18MAR2010	
TOLERANCES UNLESS OTHERWISE SPECIFIED: 0. PLC ± . 1. PLC ± . 2. PLC ± . 3. PLC ± . 4. PLC ± . ANGLES ± .		APPD C.ADAMS 18MAR2010	NAME CABLE ASSY,28 AWG,SFP+ TO SFP+ NI_PLATED
MATERIAL		WEIGHT	RESTRICTED TO
FINISH		SIZE A1	CAGE CODE 00779
		DRAWING NO 2127932	SCALE 1:1
		CUSTOMER DRAWING	SHEET 2 OF 2