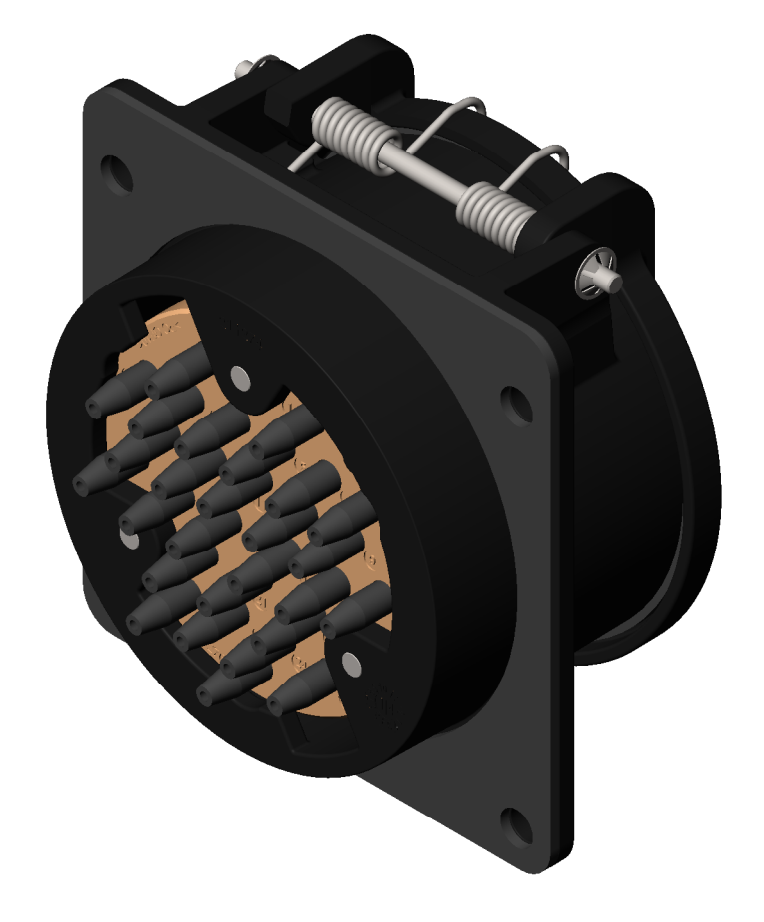


Project NR		REVISIONS			
P	LTV	DESCRIPTION	DATE	BY	APPV
C		Diffusion N°331170	07.JUL.2015	MB	MV
D		Change of material for AWG12 contacts	07.JUL.2015	MB	MV
E		Change of material for AWG10 contacts	07.JUL.2015	MB	MV

Isometric view - Scale 1/2



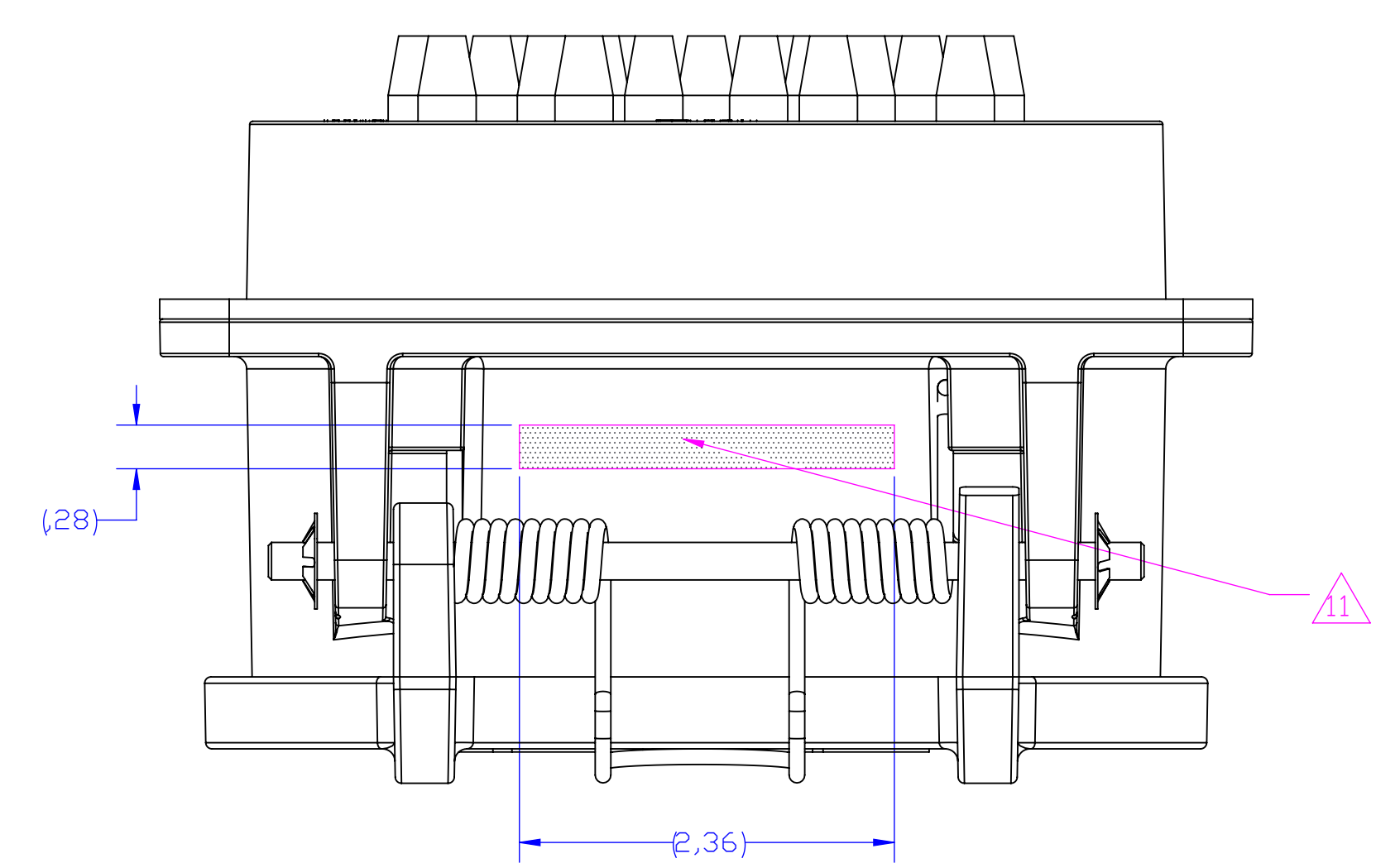
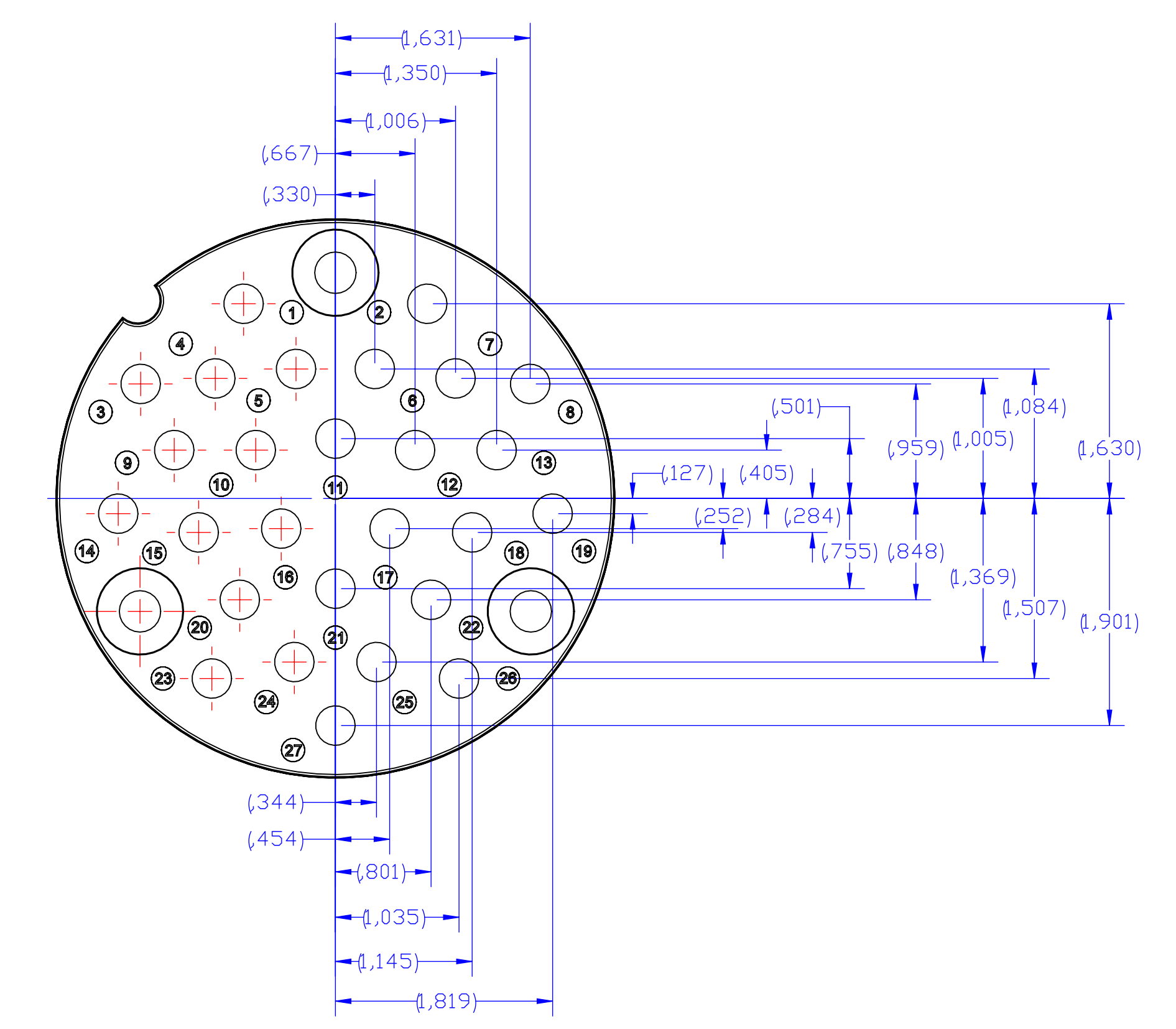
Isometric view - Scale 1/2



Item	Qty	Part number	Designation	Material	Weight (g)	Material	Weight (g)	Qty	Part number	Designation	Item
	5	1	YSPEC-408-157000-1	Paper				1	YSPEC-408-157000-1	Mounting instruction	18
	1.50	1	0206-0329AS					1	0206-0329AS	Dehydrating bag	17
	0.50	2	0158-0001-X	Plastic				2	0158-0001-X	Collar	16
	88.14	1	0206-0105AS	Carton				1	0206-0105AS	Box	15
	376.47	1	YG-UC-211287A-JG7A	Aluminium				1	YG-UC-211287A-JG7A	Cover	14
	1.15	3	W-08-1	Stainless steel				3	W-08-1	Washer	13
	17.24	3	CHCM08x25-1	Stainless steel				3	CHCM08x25-1	Screw CHC M8x25	12
	43.14	1	YS-UC-211946A-AA1A	Brass				1	YS-UC-211946A-AA1A	Kit with 3 Male contacts 10 AWG	11
	349.15	1	YS-UC-211945A-AA1A	Brass				1	YS-UC-211945A-AA1A	Kit with 24 Male contactst AWG 12 and 14	10
	162.78	1	YK-UC-211275A-QK00	Polycarbonate				1	YK-UC-211275A-QK00	Male insulator	9
	1.91	27	YK-UC-211315A-VP00	Neoprene				27	YK-UC-211315A-VP00	Sleeve	8
	124.80	1	YK-UC-211276A-QK00	Polycarbonate				1	YK-UC-211276A-QK00	Mixed insulator	7
	0.41	2	Y0000000-7105-06-I	Stainless Steel				2	Y0000000-7105-06-I	Self locking ring	6
	52.30	1	YA-UC-211297A-VN00	Neoprene				1	YA-UC-211297A-VN00	Gasket	5
	13.14	1	1504-0019A4	Neoprene				1	1504-0019A4	Gasket	4
	4.31	1	1504-0005A4	Stainless steel				1	1504-0005A4	Spring	3
	3.95	1	1504-0018A4	Stainless steel				1	1504-0018A4	Axis	2
	1070.45	1	YG-UC-211281A-JG7A	Aluminium				1	YG-UC-211281A-JG7A	Receptacle body - position 0	1

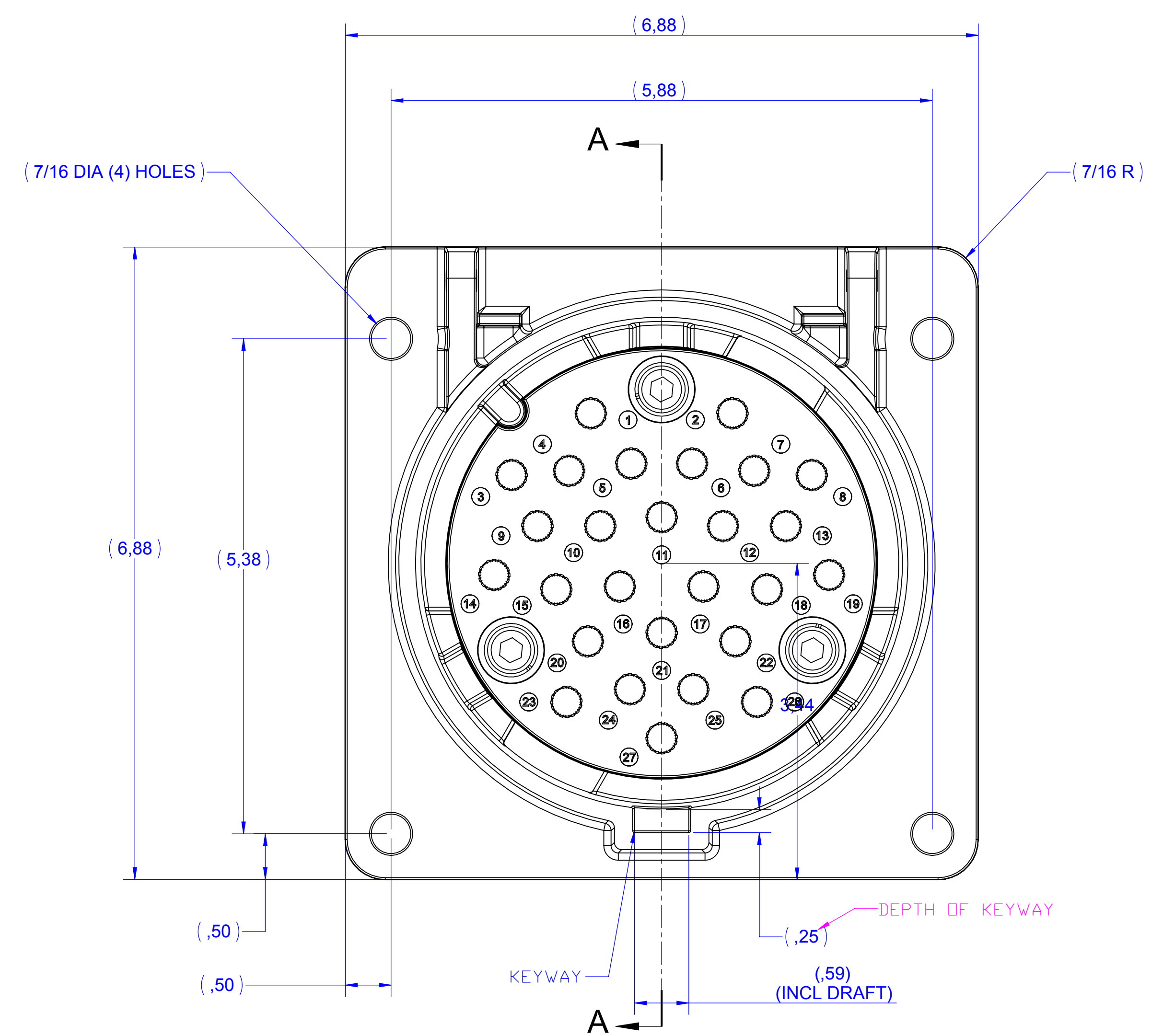
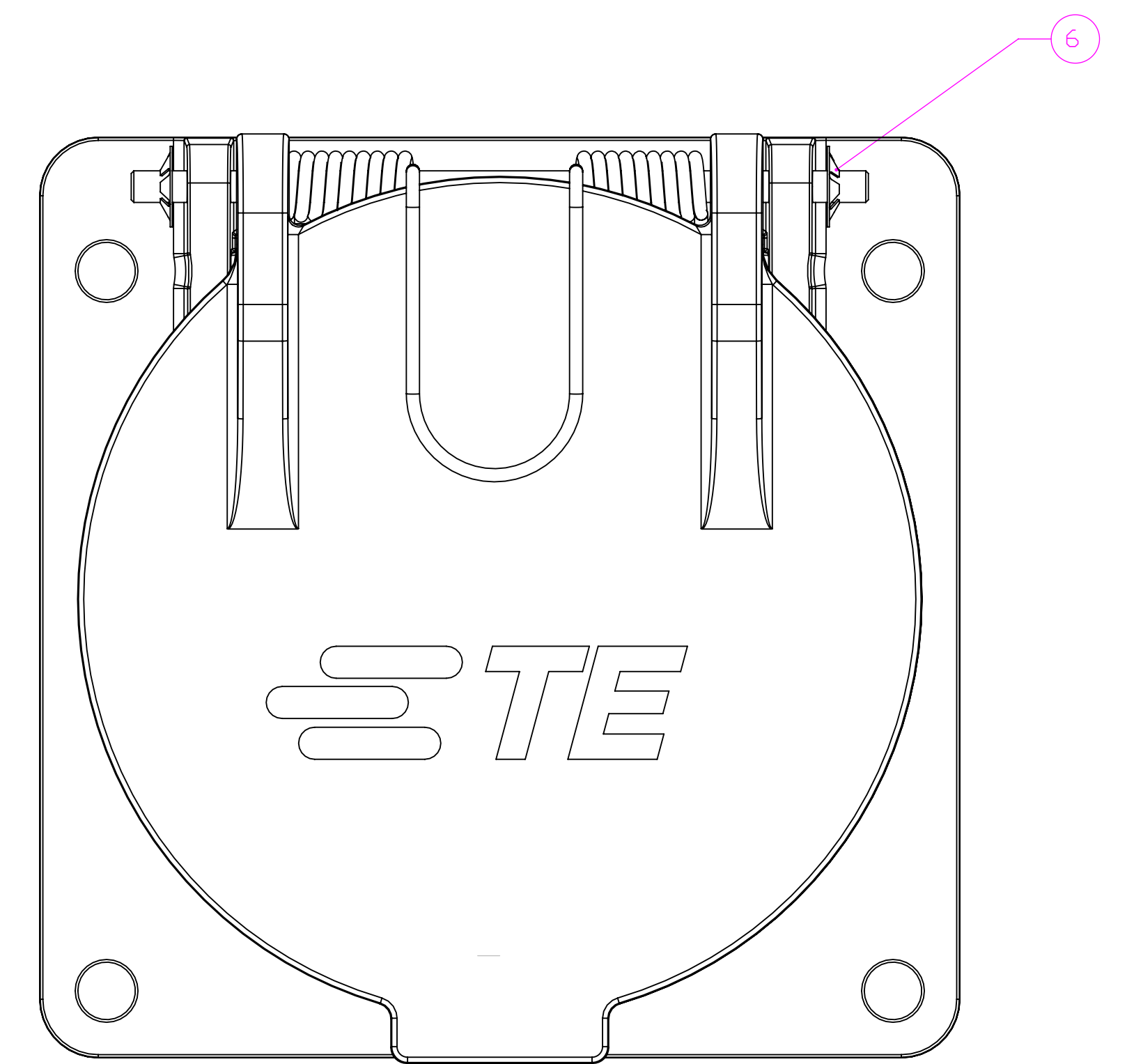
- 1 () : cotes pour information / dimensions for information
 () : cotes de controle / inspection dimensions
- 2 Instructions de mise en oeuvre à appliquer par le client
 Customer instructions to be applied by the customer
- Ref. YS-UC-211946A-AA1A is a KIT with 3 contacts AWG10
 Ref. YS-UC-211945A-AA1A is a KIT with 24 contacts AWG12/14
- Receptacle gasket is sold tied on the receptacle
- Black point
- 8 Work instruction according to 118-157000-1
- Diameter of panel mounting hole : 5,86±0.005
- Tightening torque = 10Nm
- Lasering marking :
 TE + Commercial reference + Year-Week
- Daniels manual crimping tool :
 - Hand crimper HX4
 - Die Y543
- Daniels pneumatic crimping tool :
 - Pneumatic pump HX23
 - Die Y543
- Groove made to differentiate contacts
- Sleeves packaging separately and identified
- A label with the commercial reference and the complete BOM is glued on the cardboard
- Standards :
 AAR 5-S12, APTA RP-E-019-99
- 17 Packaging Specification 107-157003

INSULATOR VIEW
SCALE 1/4

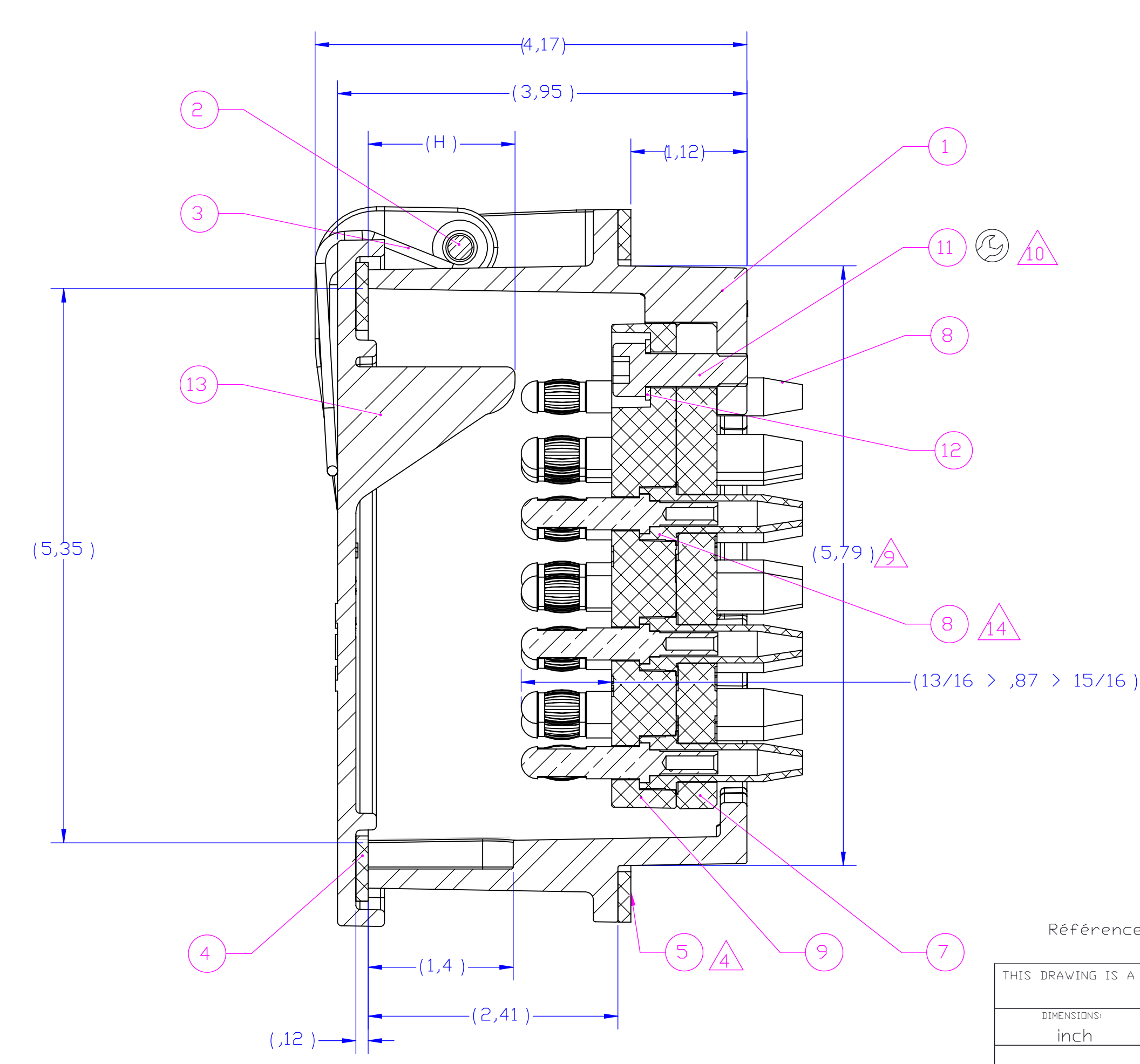


VIEW WITH COVER CLOSED

VIEW WITH COVER REMOVED



A-A VIEW



Référence commerciale / Commercial reference : 27P-REC-1-01

YE-UC-211942A-0000
PART ND

THIS DRAWING IS A CONTROLLED DOCUMENT. DATE: 07.JUL.2015
 OF: GALIPAUD 07.JUL.2015
 BY: VIMARD 07.JUL.2015

STE
TE Connectivity

MU RECEPTACLE CONTROL

PRODUCT SPEC: 108-157001
 APPLICATION SPEC: 408-157000-1
 WEIGHT: 5.057 pound

CUSTOMER DRAWING

SCALE: 1/1
 SHEET: 1 OF 1
 REV: E