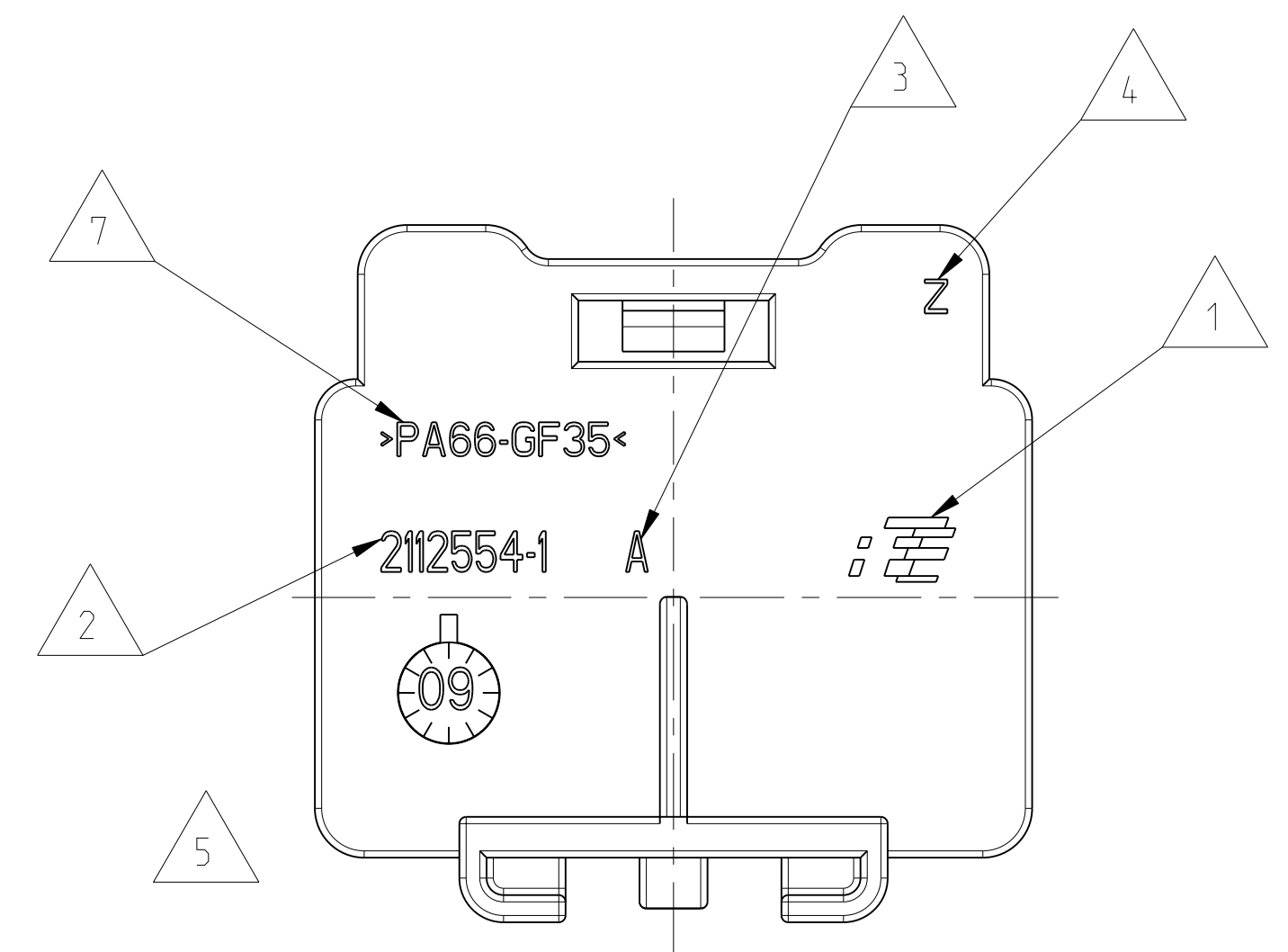
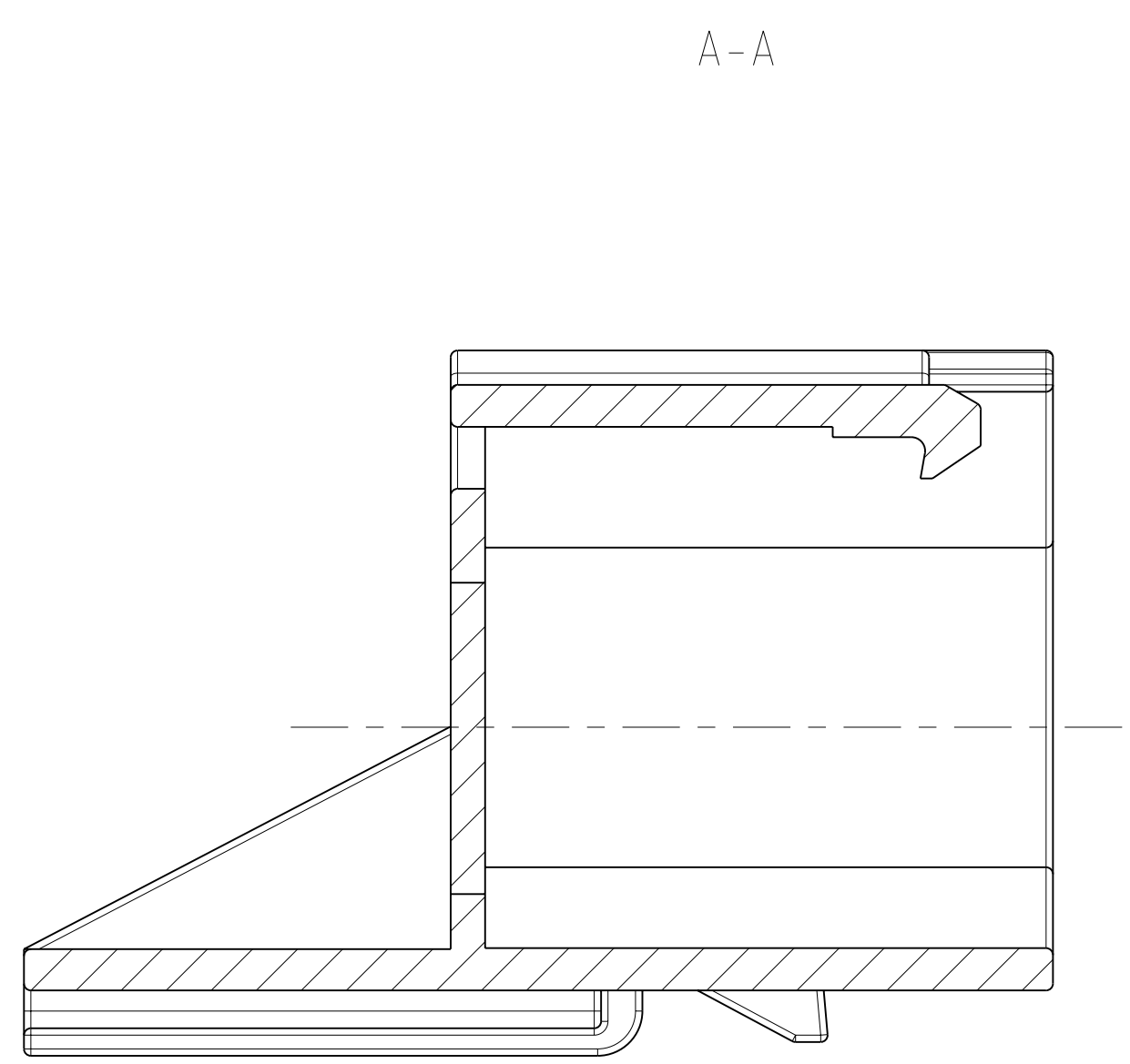
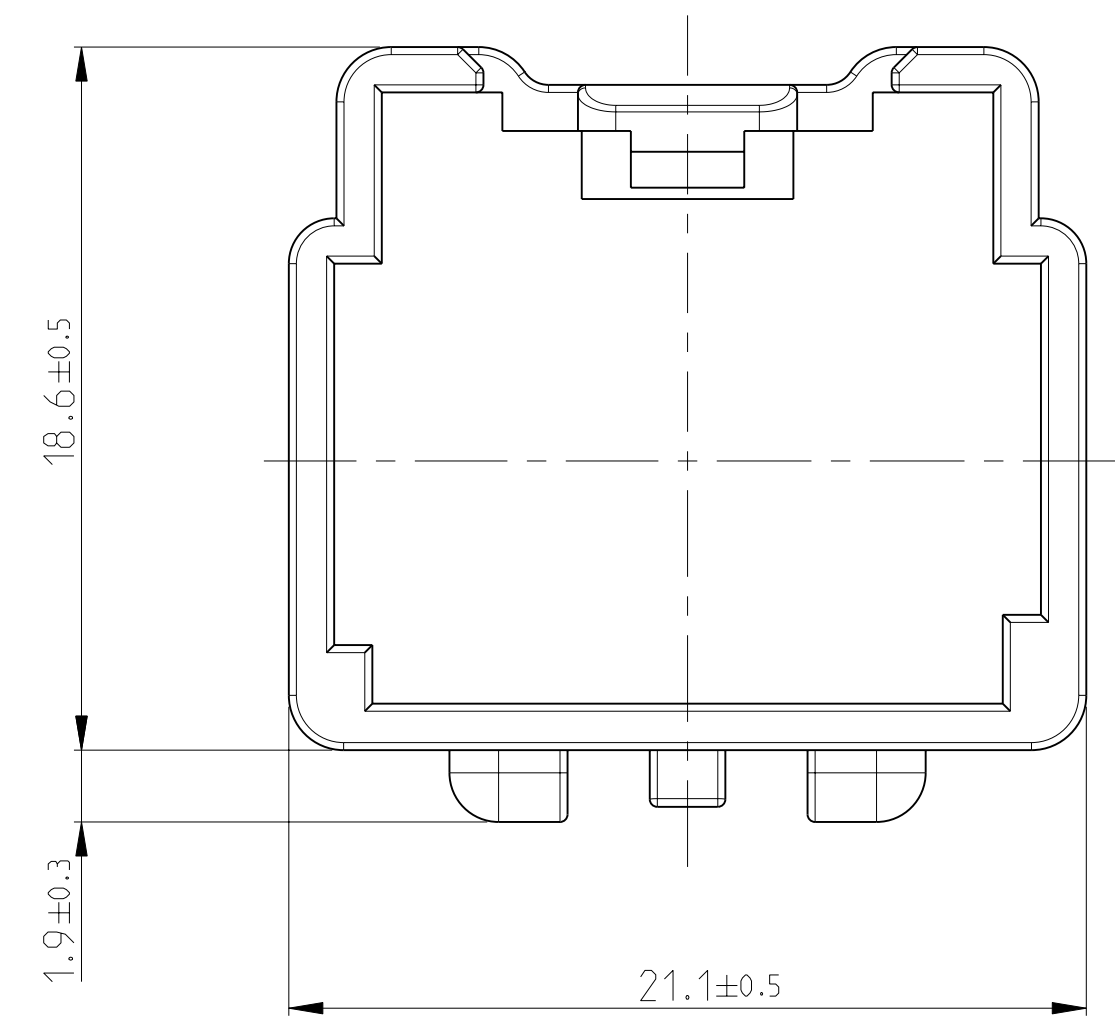
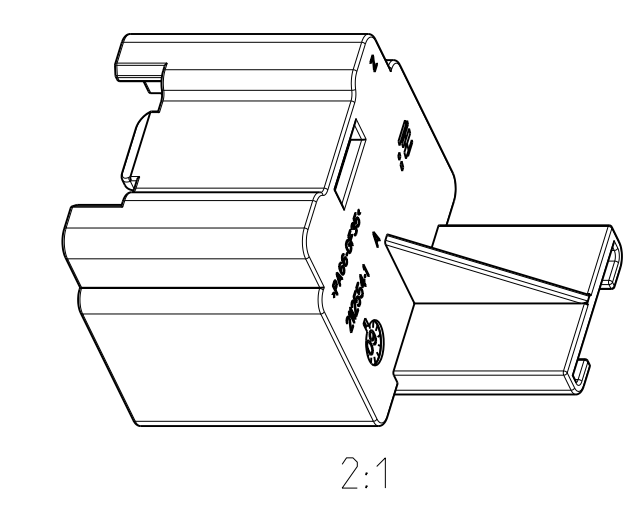
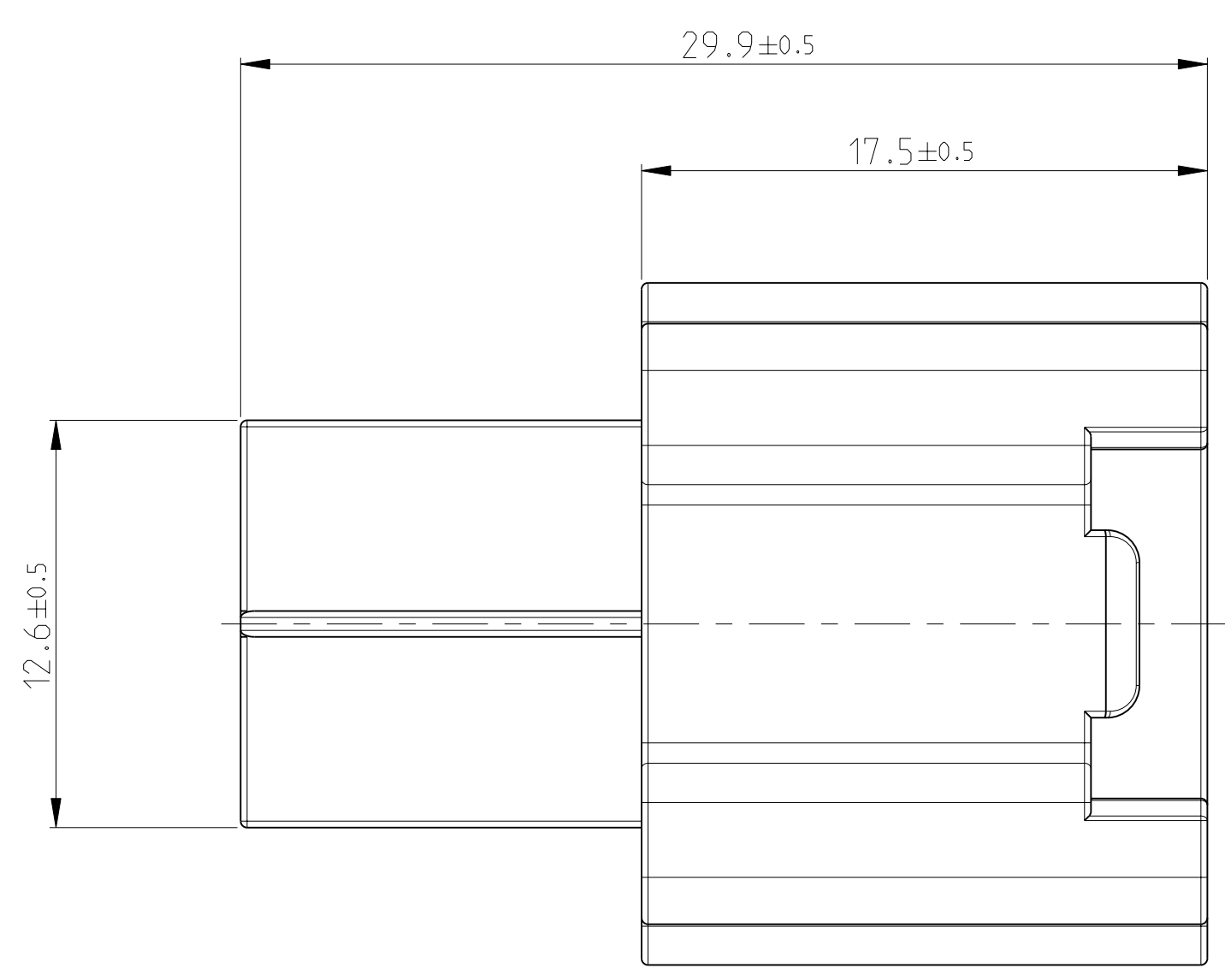


LOC	DIST	REV	DATE	DWN	APVD
A1	-	A	24NOV2009	HM	GS



NOTES

- Bemerkungen
- 1 TE-LOGO
TE-Logo
 - 2 TE-ORDER-NUMBER
TE-Bestell-Nummer
 - 3 REVISIONS-NUMBER
Werkzeugaenderungsindex
 - 4 TOOL CAVITY MARKING
Nestmarkierung
 - 5 PRODUCTION-DATE WITH DATE
Produktionsdatum mit Datumsuhr
 - 6 PACKAGING: LOOSE PIECES IN CARDBOARD BOX
Verpackung: Schuetzgut in Karton
 - 7 MATERIAL MARKING
Werkstoffkennzeichnung
 - 8 MATING PART: 2x6POS. GET FEMALE HOUSING.
ALL CODINGS SHOWN ON
CUSTOMER DRAWING 1452015



TE-PART NO	REV	QTY	DESCRIPTION	MATERIAL	COLOR	ITEM NO
2112554-1	A	1	STORAGE CAP	PA66-GF35	BLACK	1

DIMENSIONS:		TOLERANCES UNLESS OTHERWISE SPECIFIED:		DWN		APVD	
mm	9 PLC ±	PLC ±	PLC ±	H.Meinhardt	24NOV2009	G.Steinbach	30NOV2009
	1 PLC ±	PLC ±	PLC ±	Tyco Electronics Tyco Electronics AMP GmbH			
	2 PLC ±	PLC ±	PLC ±	64625 Bensheim (Germany)			
	3 PLC ±	PLC ±	PLC ±	NAME PROTEC. COVER GET 0.64			
	4 PLC ±	PLC ±	PLC ±	SIZE CAGE CODE DRAWING NO RESTRICTED TO			
	ANGLES ±2°	FINISH	FINISH	A1 00779 C=2112554			
MATERIAL		FINISH		WEIGHT		CUSTOMER DRAWING	
				SCALE		SHEET 1 OF 1 REV A	