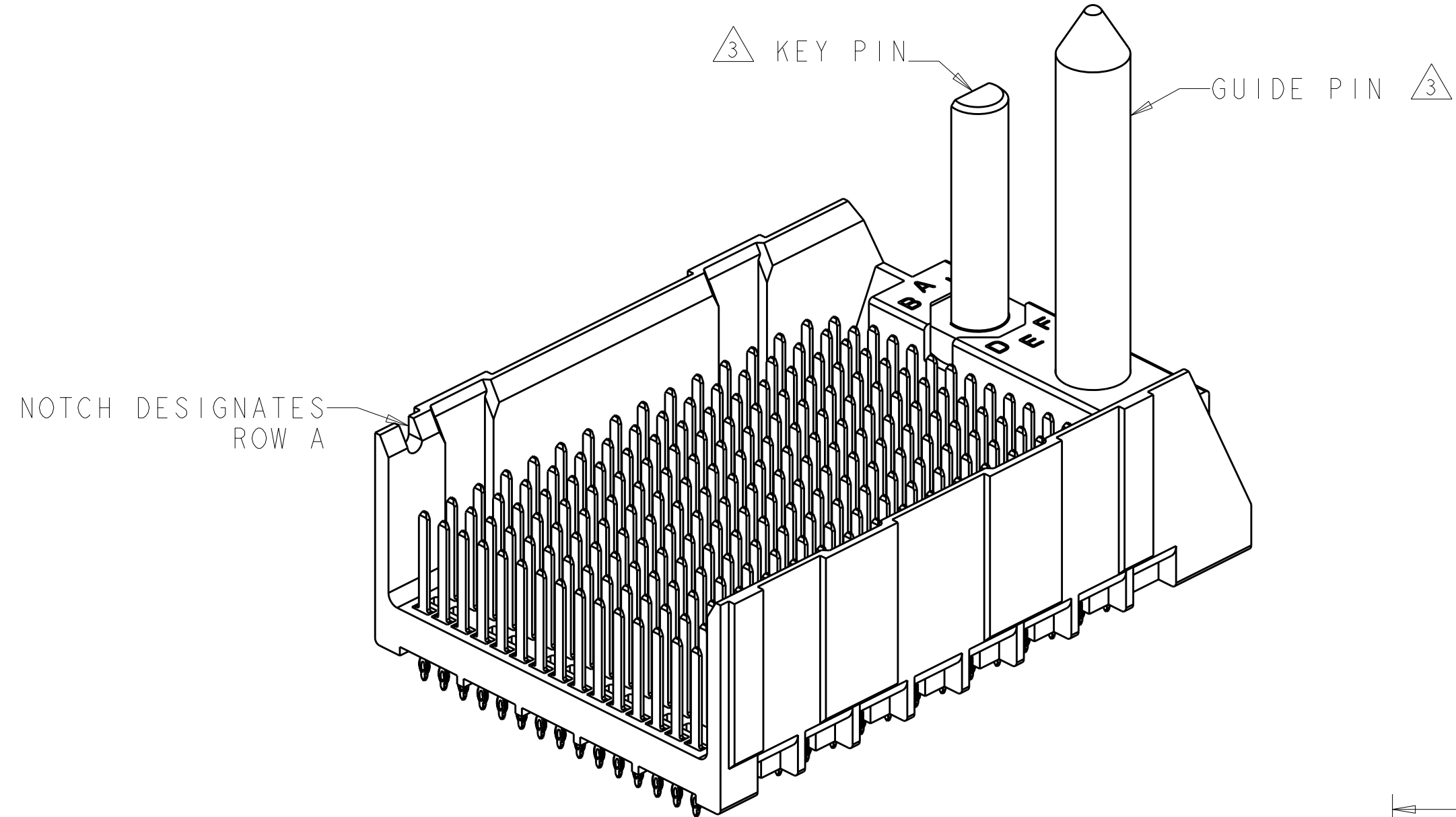
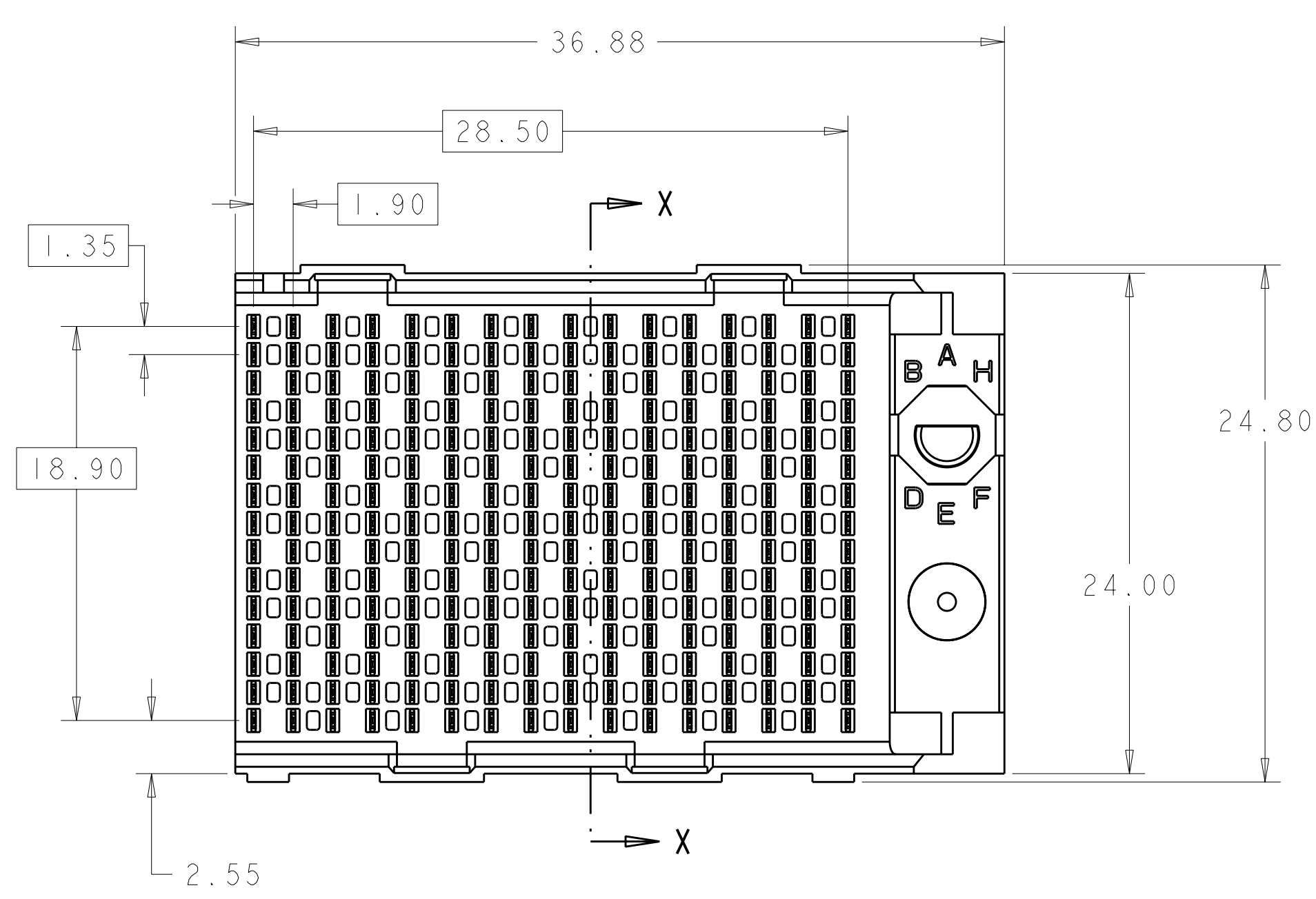
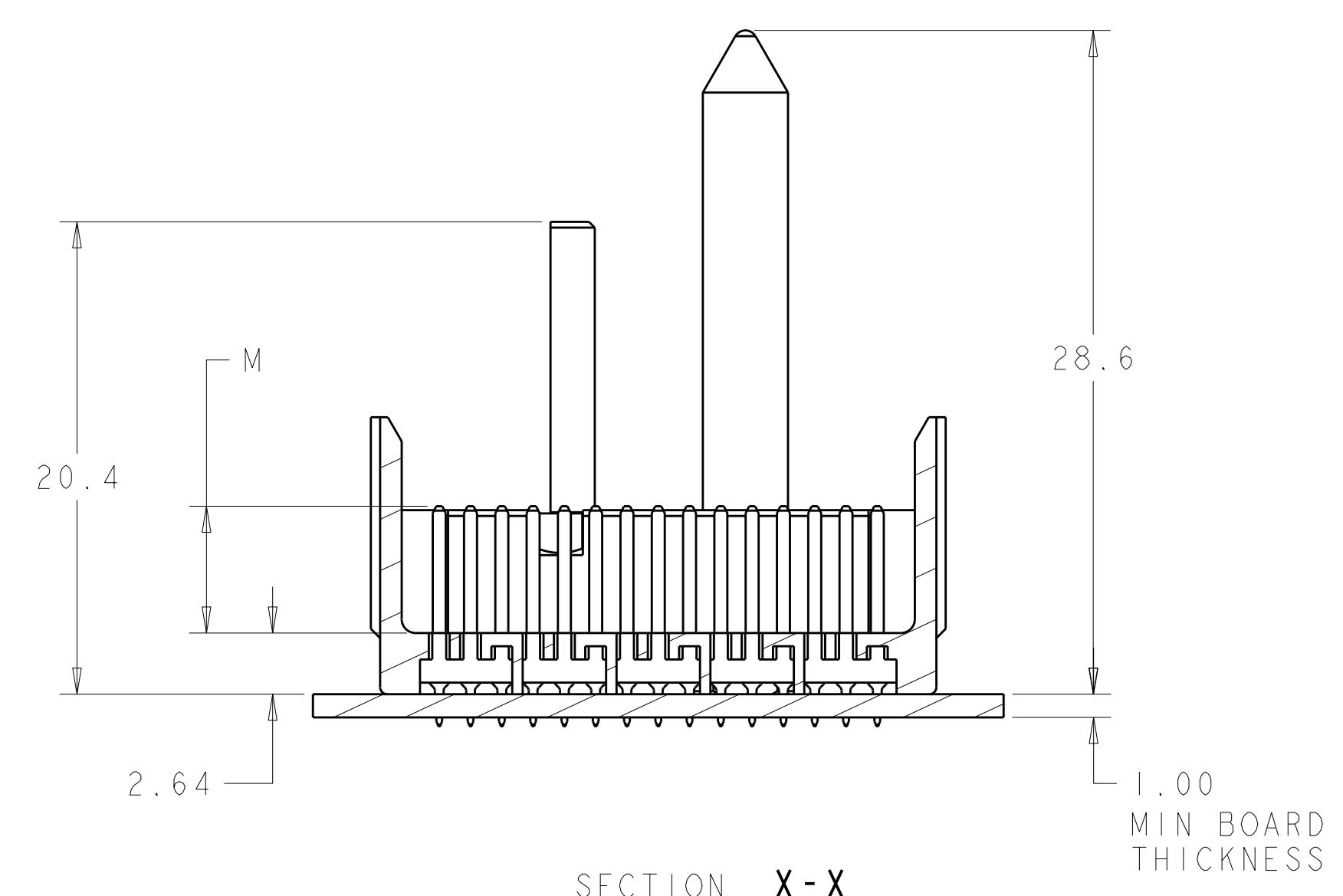
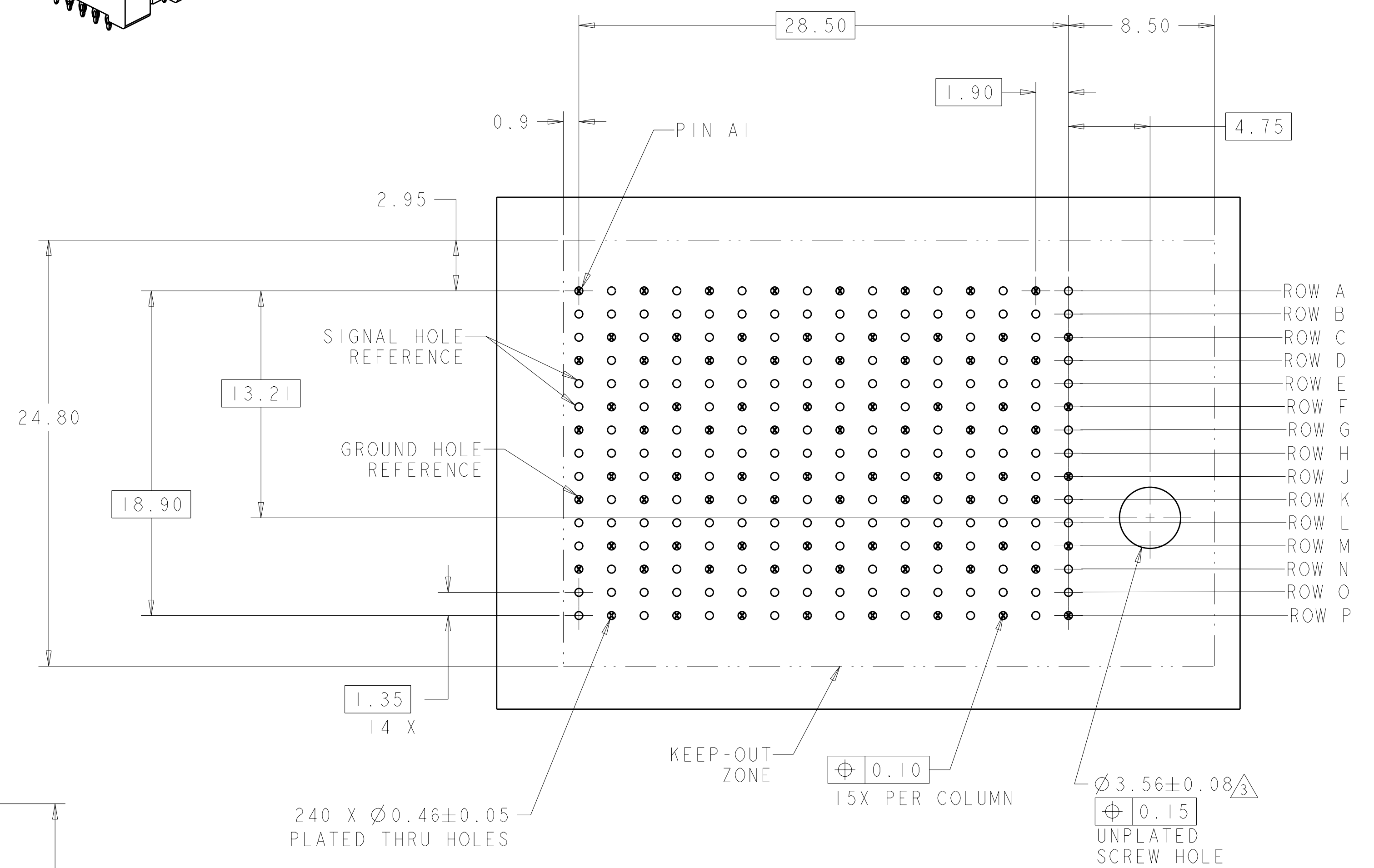
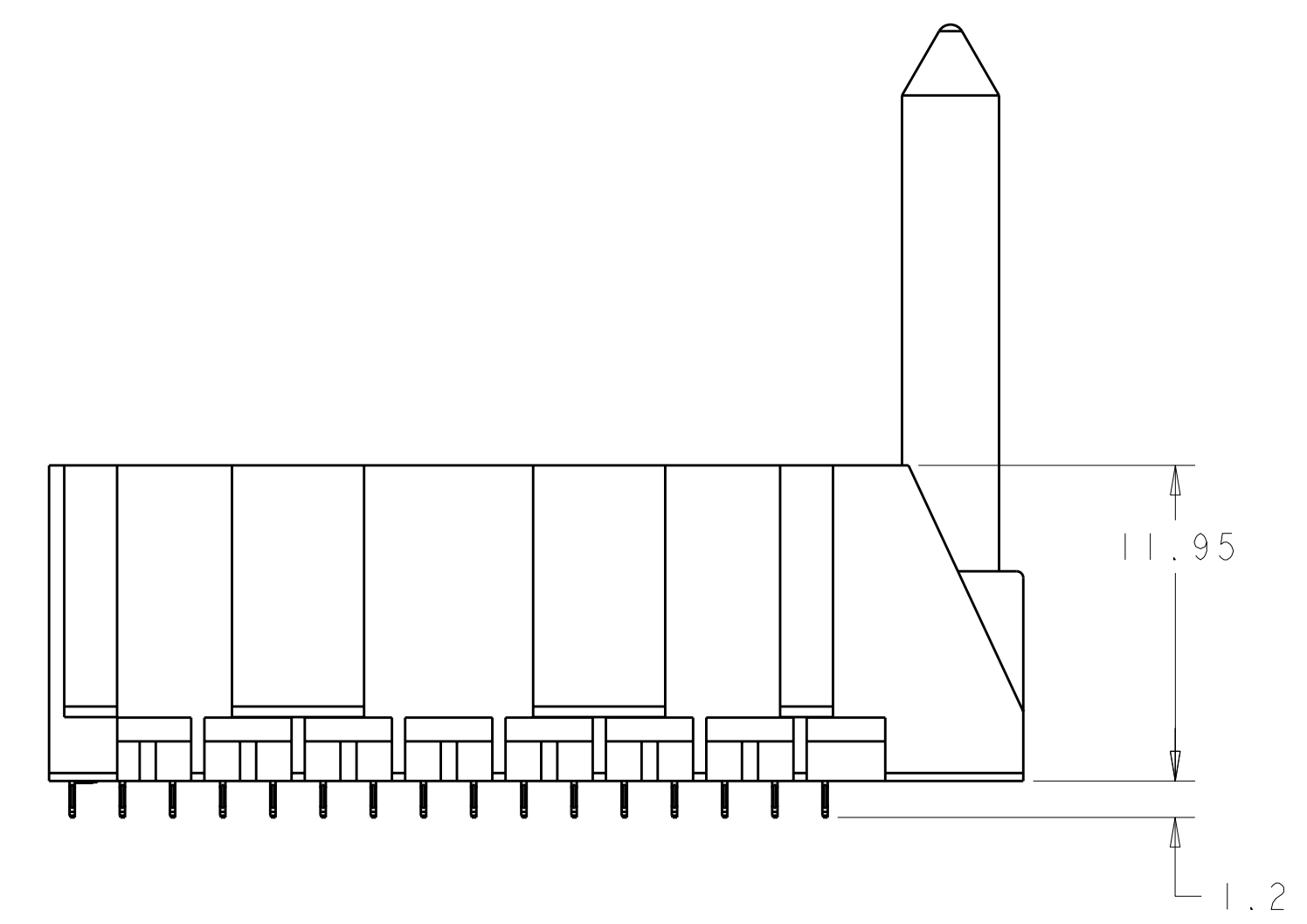


LOC	DIST	REV	DATE	BY	APPD
-	-	1	23JUN2009	JKS	JE



- 1 MATERIAL:
HOUSING: LCP GLASS FILLED UL94V-0
TERMINALS: HIGH PERFORMANCE COPPER ALLOY
- 2 FINISH:
30 u" MIN GOLD IN CONTACT AREA
SELECTIVE TIN ON PCB TAILS.
NICKEL OVERALL.
- 3 OPTIONAL DEPENDING ON PART NUMBER

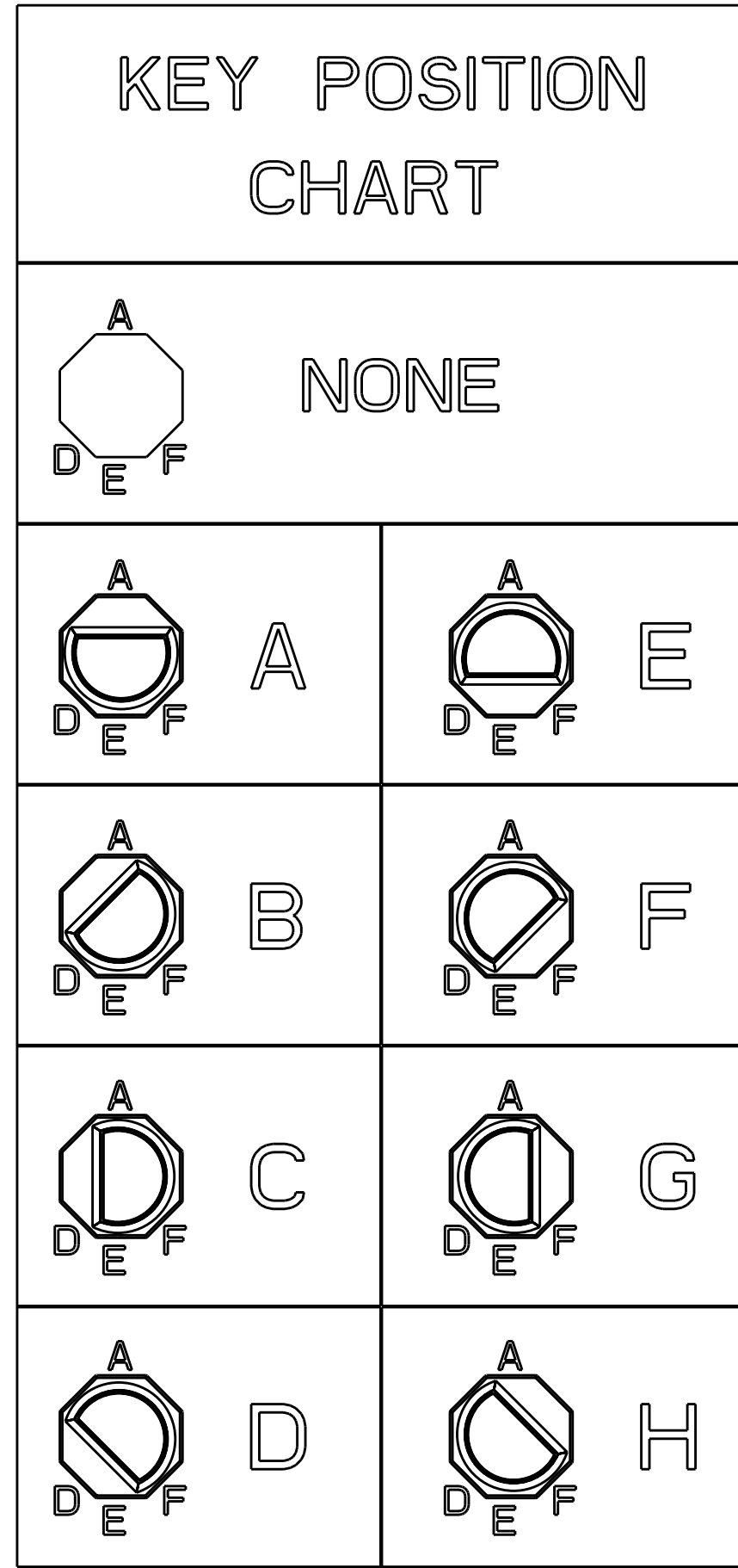
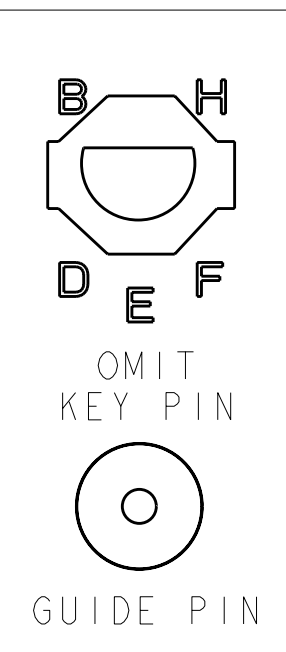


THIS PRINT IS
PRELIMINARY
 UNQUALIFIED PRODUCT
 CONTACT PRODUCT ENGINEERING
 BEFORE USING THIS PRINT

DIMENSIONS: mm 		TOLERANCES UNLESS OTHERWISE SPECIFIED: 9 PLC ± 1 PLC ±0.25 2 PLC ±0.13 3 PLC ± 4 PLC ± ANGLES ±40° 30°		DWN J. K. SHOBER 23JUN2009 CHK J. EARY 23JUN2009 APPD J. EARY 23JUN2009 PRODUCT SPEC APPLICATION SPEC WEIGHT CUSTOMER DRAWING		Tyco Electronics Harrisburg, PA 17105-3608 NAME IMPACT, 5 PAIR HEADER, 16 COLUMN, RIGHT GUIDED ASSEMBLY 0.46 PTH SIZE CAGE CODE DRAWING NO RESTRICTED TO A1100779C=2110302 SCALE 4:1 SHEET 1 OF 2 REV 1	
-----------------------	--	--	--	---	--	---	--

LOC	DIST	REV	DATE	BY	APP'D
-	-	1			
-	-	2			

2110302-1		△														
PART NUMBER		FINISH														
CONTACT LAYOUT																
A = 4.5mm (DIM M)																
B = 4.9mm (DIM M)																
C = 5.5mm (DIM M)																
COLUMNS																
	1	2	3	4	5	6	7	8	9	10	11	12	13	14	15	16
A	C	C	C	C	C	C	C	C	C	C	C	C	C	C	C	B
B	C	C	C	C	C	C	C	C	C	C	C	C	C	C	C	B
C	C	C	C	C	C	C	C	C	C	C	C	C	C	C	C	C
D	C	C	C	C	C	C	C	C	C	C	C	C	C	C	C	C
E	C	C	C	C	C	C	C	C	C	C	C	C	C	C	C	C
F	C	C	C	C	C	C	C	C	C	C	C	C	C	C	C	C
G	C	C	C	C	C	C	C	C	C	C	C	C	C	C	C	C
H	C	C	C	C	C	C	C	C	C	C	C	C	C	C	C	C
J	C	C	C	C	C	C	C	C	C	C	C	C	C	C	C	C
K	C	C	C	C	C	C	C	C	C	C	C	C	C	C	C	C
L	C	C	C	C	C	C	C	C	C	C	C	C	C	C	C	C
M	C	C	C	C	C	C	C	C	C	C	C	C	C	C	C	C
N	C	C	C	C	C	C	C	C	C	C	C	C	C	C	C	C
O	C	C	C	C	C	C	C	C	C	C	C	C	C	C	C	C
P	C	C	C	C	C	C	C	C	C	C	C	C	C	C	C	C



SCALE 4:1

THIS PRINT IS
PRELIMINARY
 UNQUALIFIED PRODUCT
 CONTACT PRODUCT ENGINEERING
 BEFORE USING THIS PRINT

DIMENSIONS: mm TOLERANCES UNLESS OTHERWISE SPECIFIED: 0 PLC ± 1 PLC ±0.25 2 PLC ±0.13 3 PLC ± 4 PLC ± ANGLES ±40° 30'		FINISH: SEE TABLE		DWN: J. K. SHOBER 23JUN2009 CHK: J. EARY 23JUN2009 APVD: J. EARY 23JUN2009	Tyco Electronics Harrisburg, PA 17105-3608
MATERIAL:		WEIGHT:		NAME: IMPACT, 5 PAIR HEADER, 16 COLUMN, RIGHT GUIDED ASSEMBLY 0.46 PTH	
CUSTOMER DRAWING		SIZE: A 00779 C=2110302		RESTRICTED TO:	
SCALE: 4:1		SHEET: 2 OF 2		REV: 1	