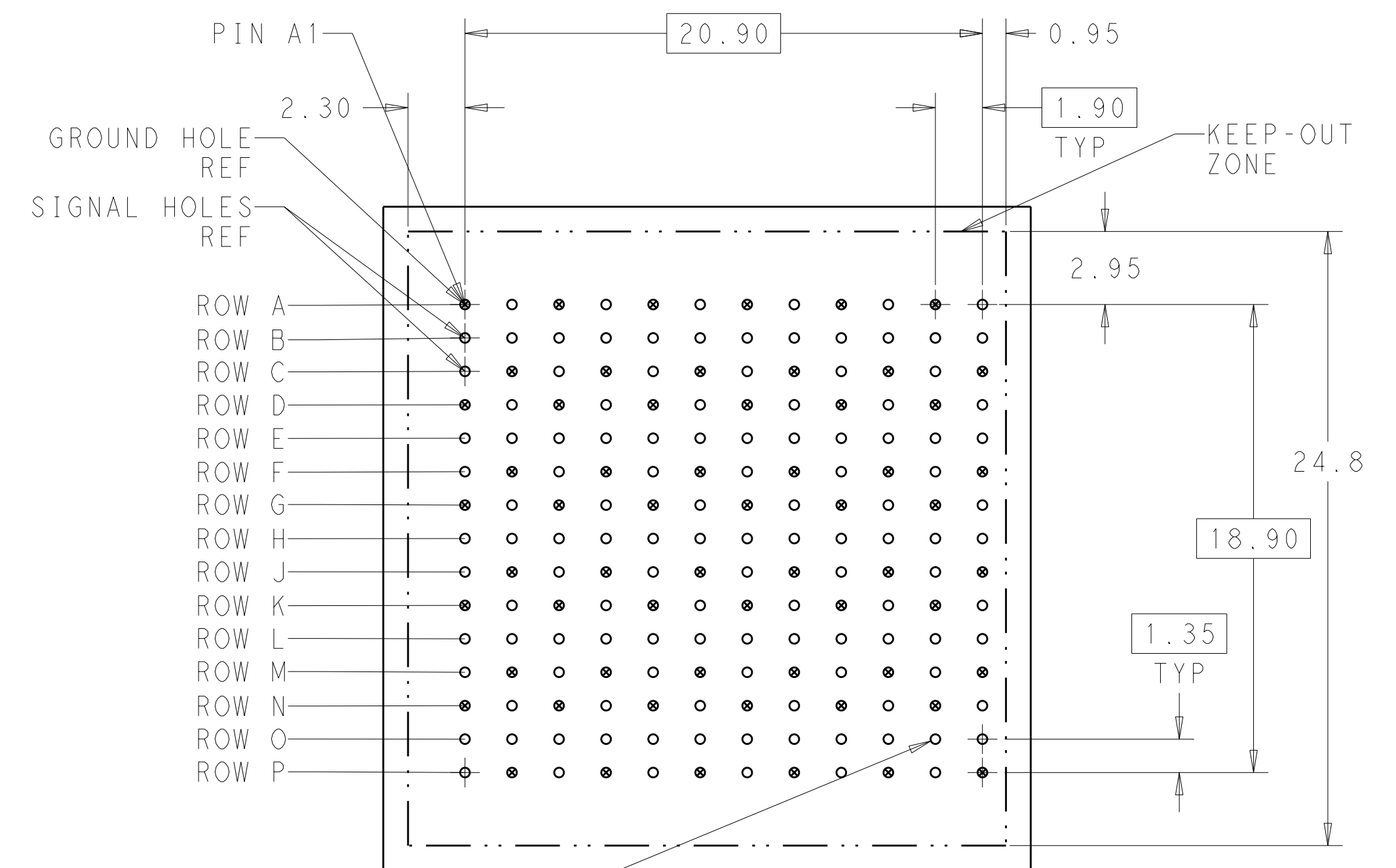
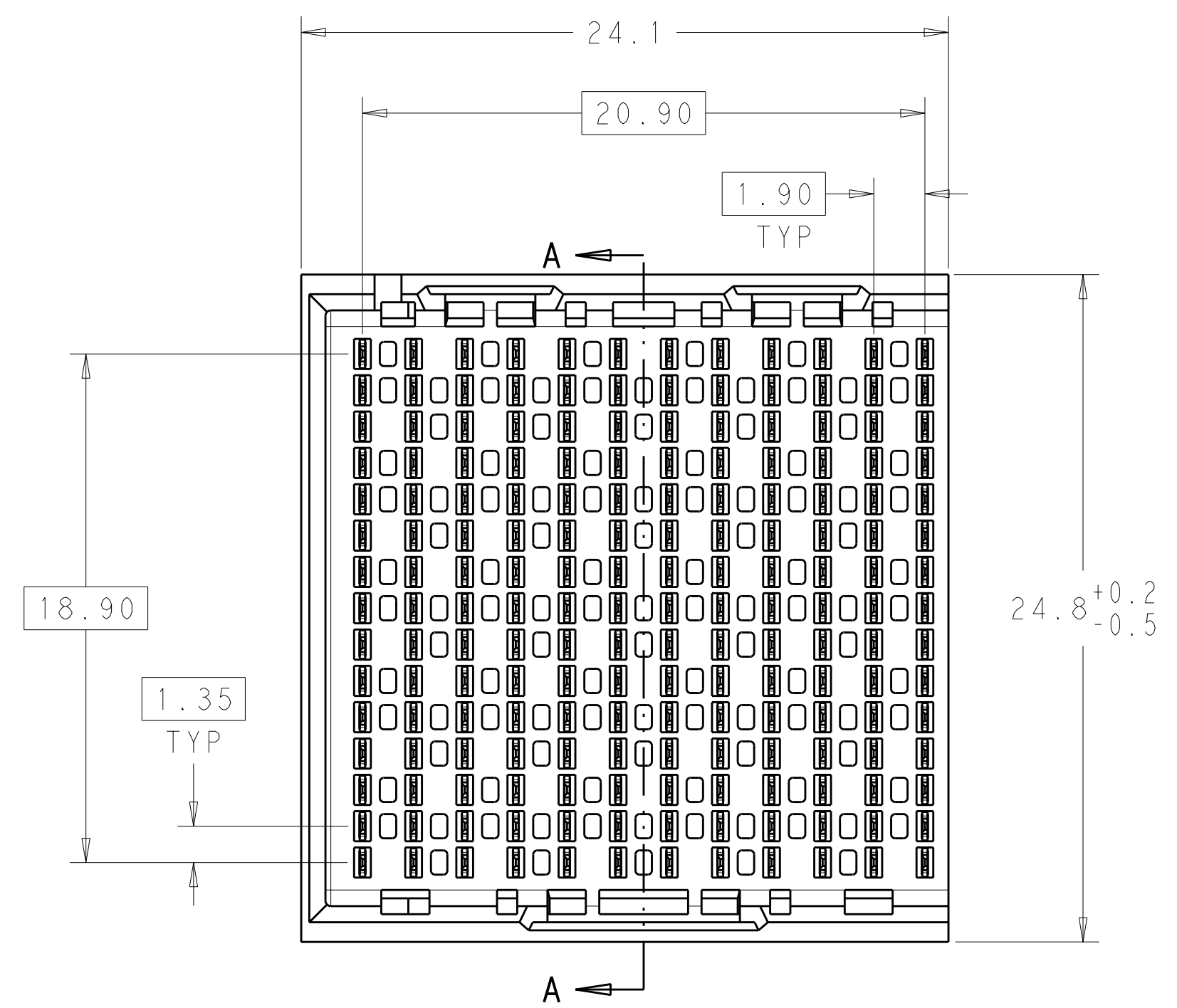
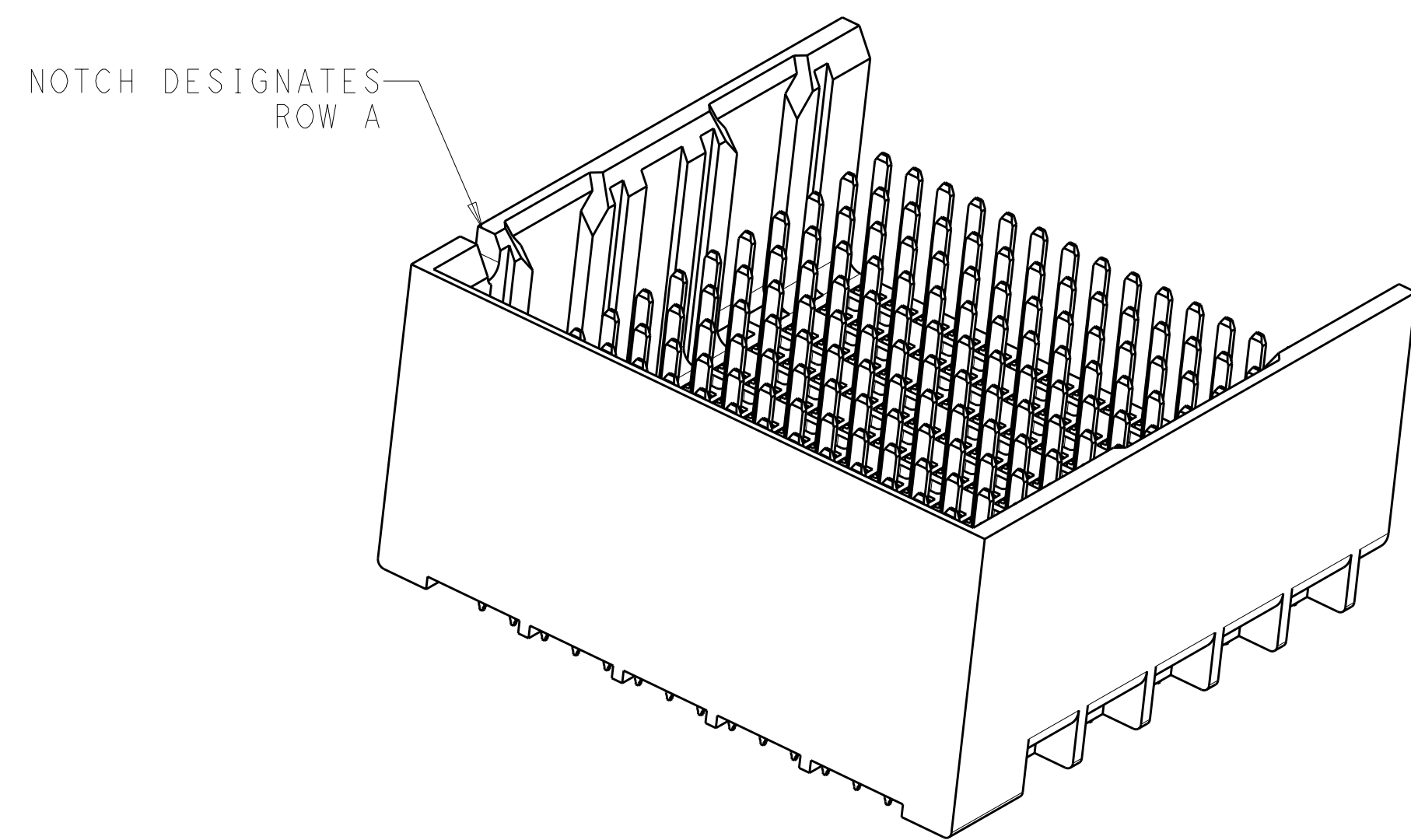


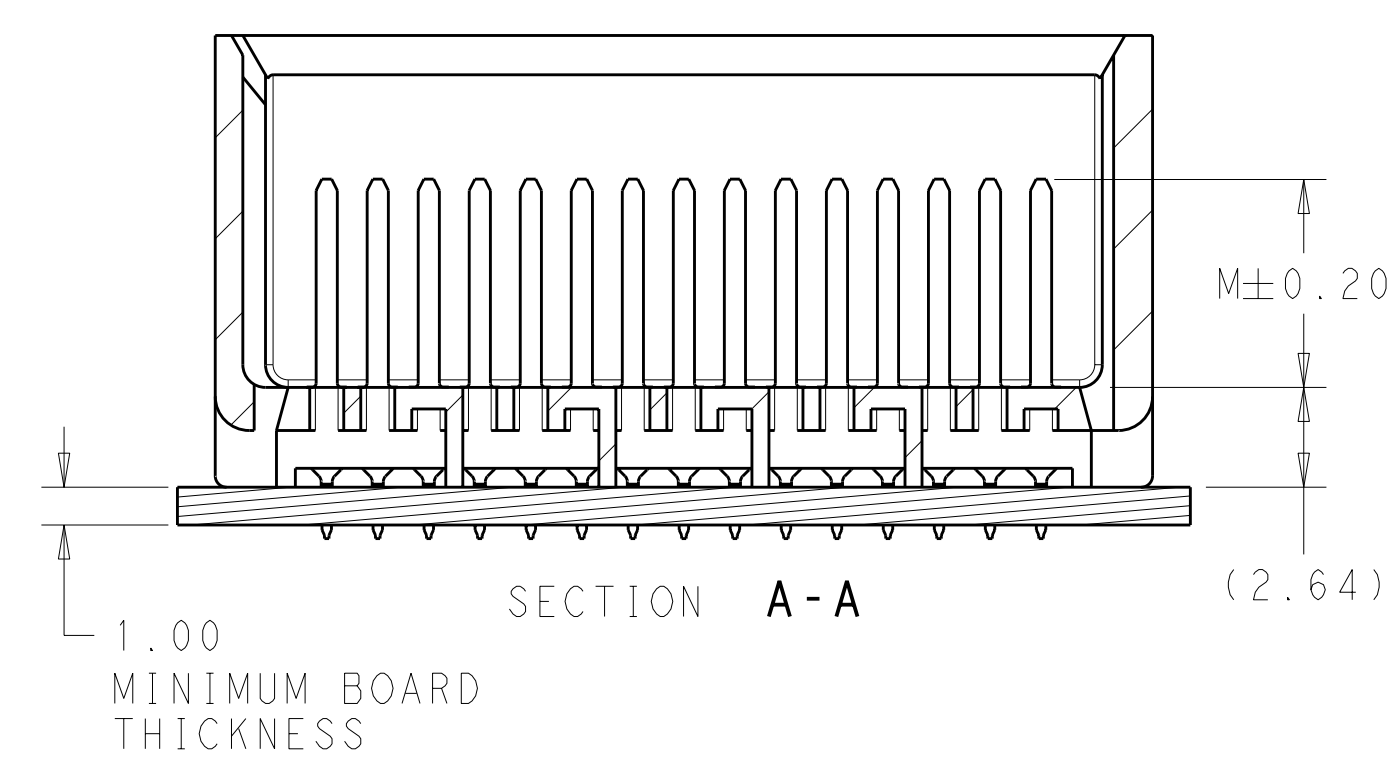
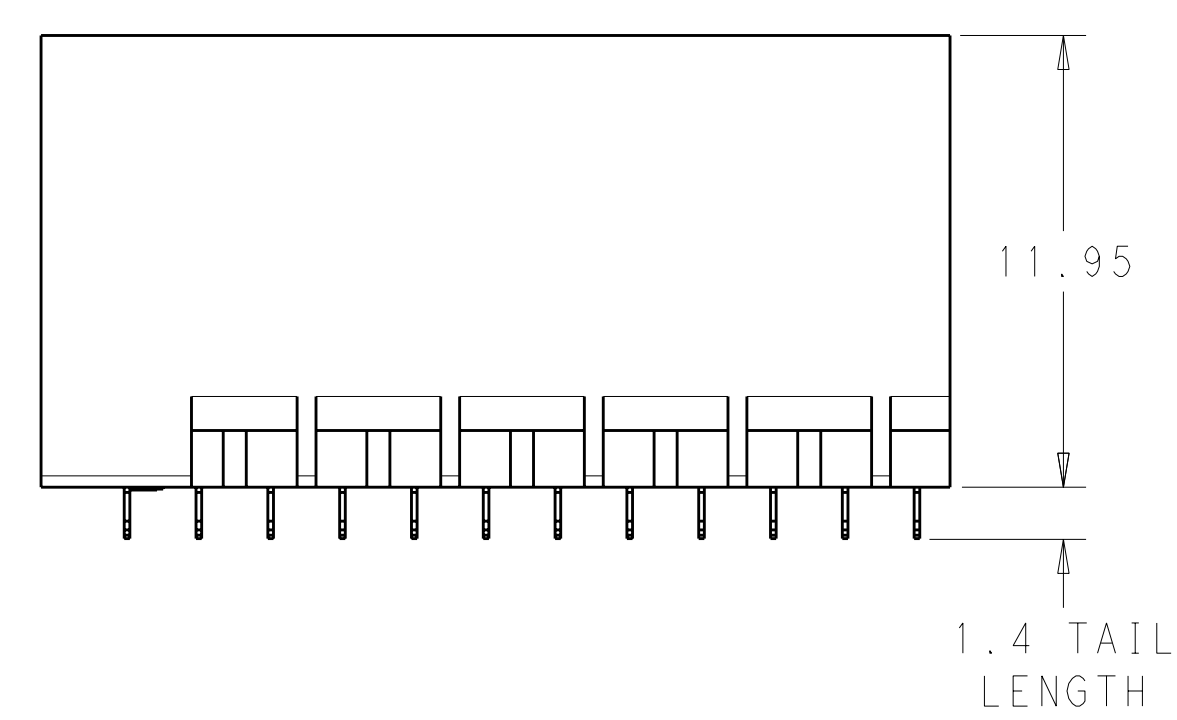
LOC	DIST	REV	DATE	BY	APPD
AD	00	A	09MAY2011	RKC	JE

- 1 MATERIAL:
HOUSING: LCP, GLASS FILLED, UL94V-0.
TERMINALS: HIGH PERFORMANCE COPPER ALLOY.
- 2 FINISH:
30μ" MIN GOLD IN CONTACT AREA. SELECTIVE TIN
ON PCB TAILS, NICKEL OVERALL.
- 3 FINISH:
30μ" MIN GOLD IN CONTACT AREA. SELECTIVE TIN-LEAD
ON PCB TAILS, NICKEL OVERALL.



180X $\varnothing 0.39 \pm 0.05$
 $\varnothing 0.10$
 PLATED THRU HOLE

UNGUIDED
 BACKPLANE HOLE PATTERN
 (CONNECTOR SIDE)




THIS DRAWING IS A CONTROLLED DOCUMENT.		OWN: RKC 06MAY2011	TE Connectivity
DIMENSIONS: mm		CHK: J. EABY 06MAY2011	
TOLERANCES UNLESS OTHERWISE SPECIFIED:		APPD: J. EABY 06MAY2011	NAME: IMPACT, 5 PAIR, 12 COLUMN, HEADER
0 PLC ±	1 PLC ±0.25	PRODUCT SPEC	UNGUIDED, LEFT END WALL
2 PLC ±0.13	3 PLC ±	APPLICATION SPEC	SIGNAL MODULE, 0.39 PTH
4 PLC ±	ANGLES ±	WEIGHT	SIZE: CAGE CODE: DRAWING NO: RESTRICTED TO
MATERIAL: SEE TABLE	FINISH: SEE TABLE	CUSTOMER DRAWING	A1100779C=2110192
		SCALE: 5:1	SHEET 1 OF 2 REV A

THIS DRAWING IS UNPUBLISHED. RELEASED FOR PUBLICATION 20
 © COPYRIGHT 20 BY . ALL RIGHTS RESERVED.

LOC	DIST	REVISIONS				
AD	00	P	LTG	DATE	DWN	APVD
		-	-	SEE SHEET 1	-	-

FINISH	DIM M	PART NUMBER
\triangle_3	5.5	2110192-6
\triangle_3	4.9	2110192-5
\triangle_3	4.5	2110192-4
\triangle_2	5.5	2110192-3
\triangle_2	4.9	2110192-2
\triangle_2	4.5	2110192-1

REFER TO WWW.TE.COM
 FOR PRODUCT AVAILABILITY

THIS DRAWING IS A CONTROLLED DOCUMENT.		DWN BKC	06MAY2011	 TE Connectivity
DIMENSIONS: mm		CHK J. EABY	06MAY2011	
TOLERANCES UNLESS OTHERWISE SPECIFIED: 9 PLC ± 7 PLC ±0.25 5 PLC ±0.13 4 PLC ± ANGLES ±		APVD J. EABY	06MAY2011	NAME IMPACT, 5 PAIR, 12 COLUMN, HEADER UNGUIDED, LEFT END WALL SIGNAL MODULE, 0.39 PTH
MATERIAL -		FINISH SEE TABLE	WEIGHT -	SIZE CAGE CODE DRAWING NO A100779C=2110192
CUSTOMER DRAWING			SCALE 5:1	SHEET 2 OF 2 REV A