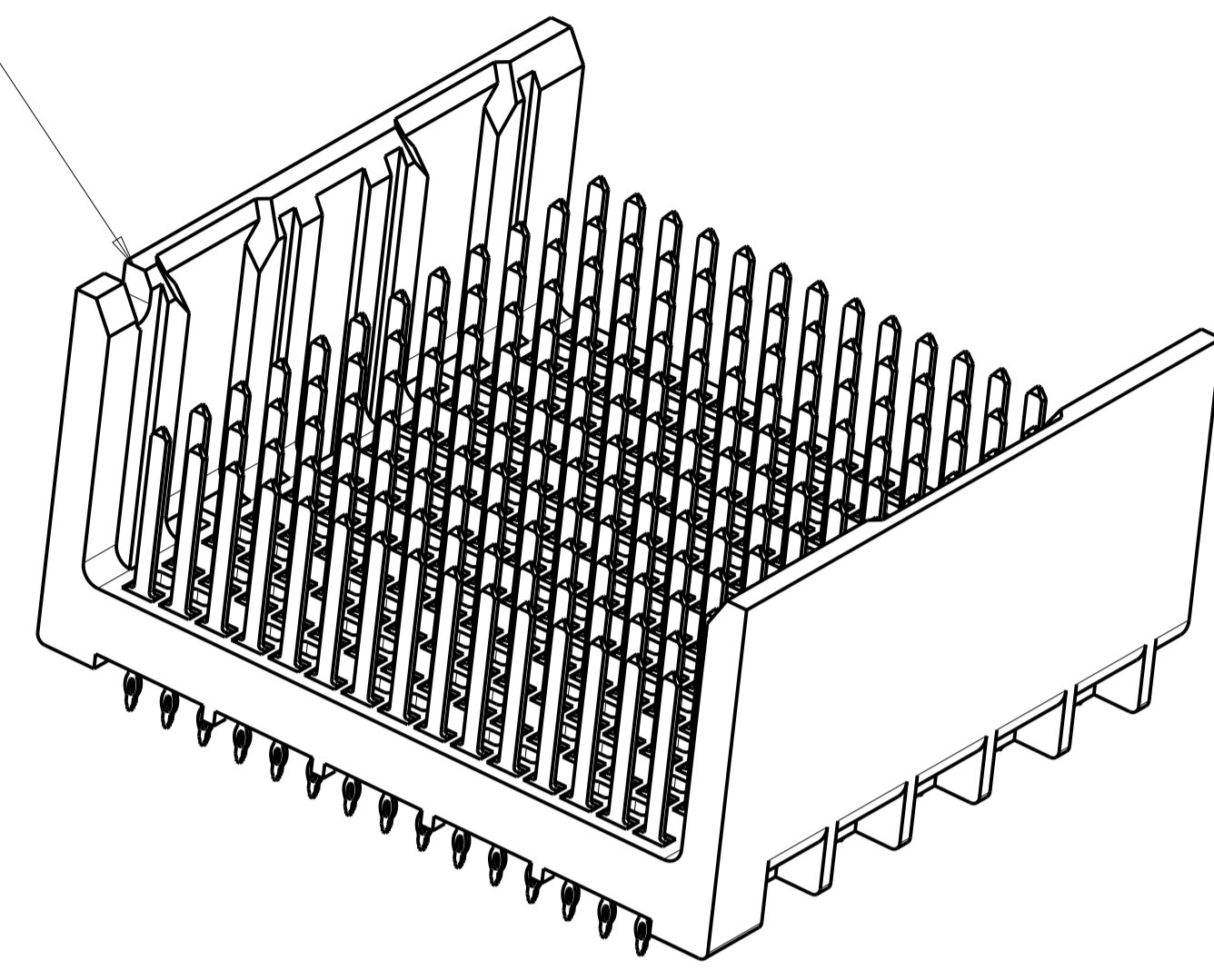
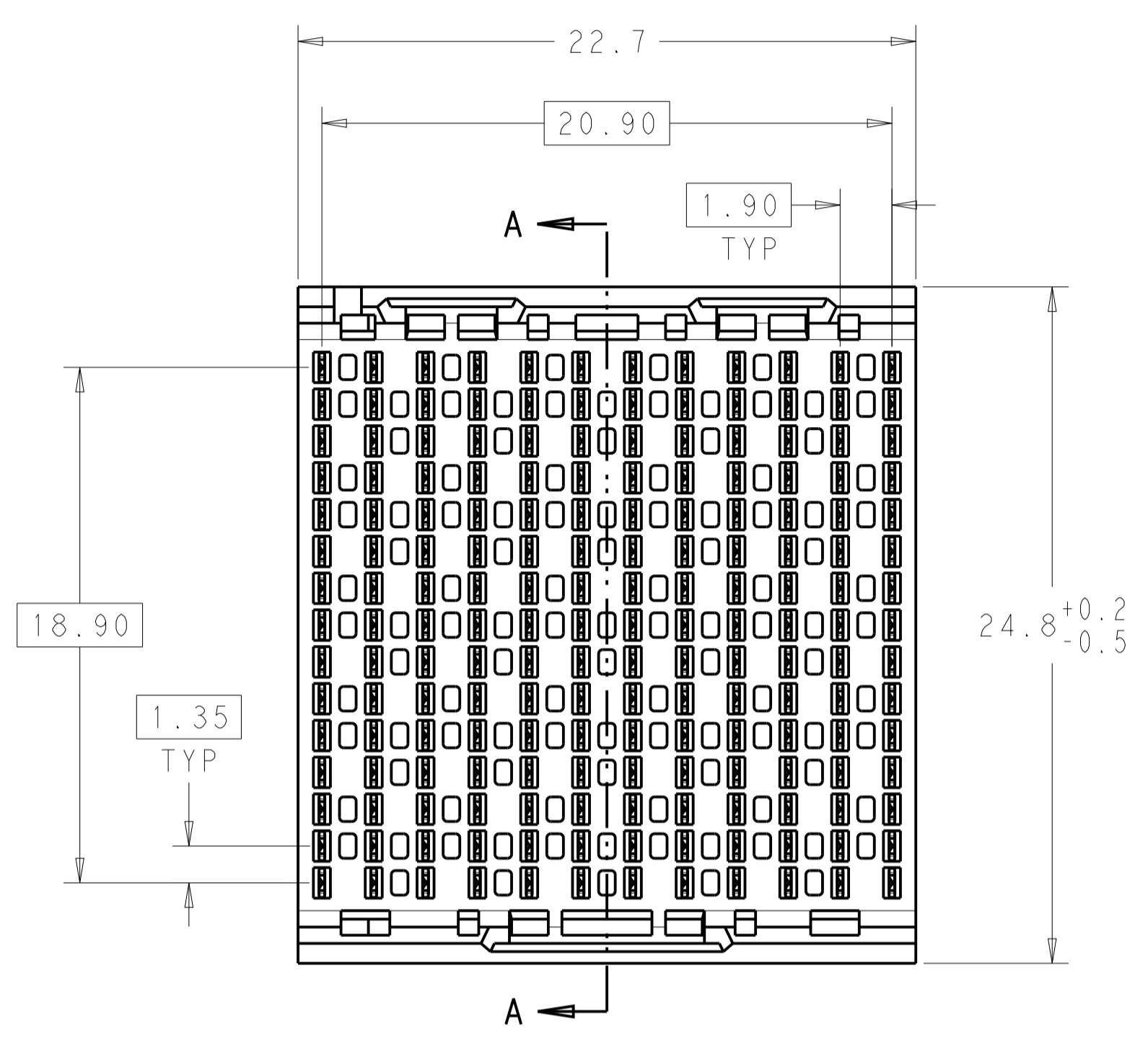
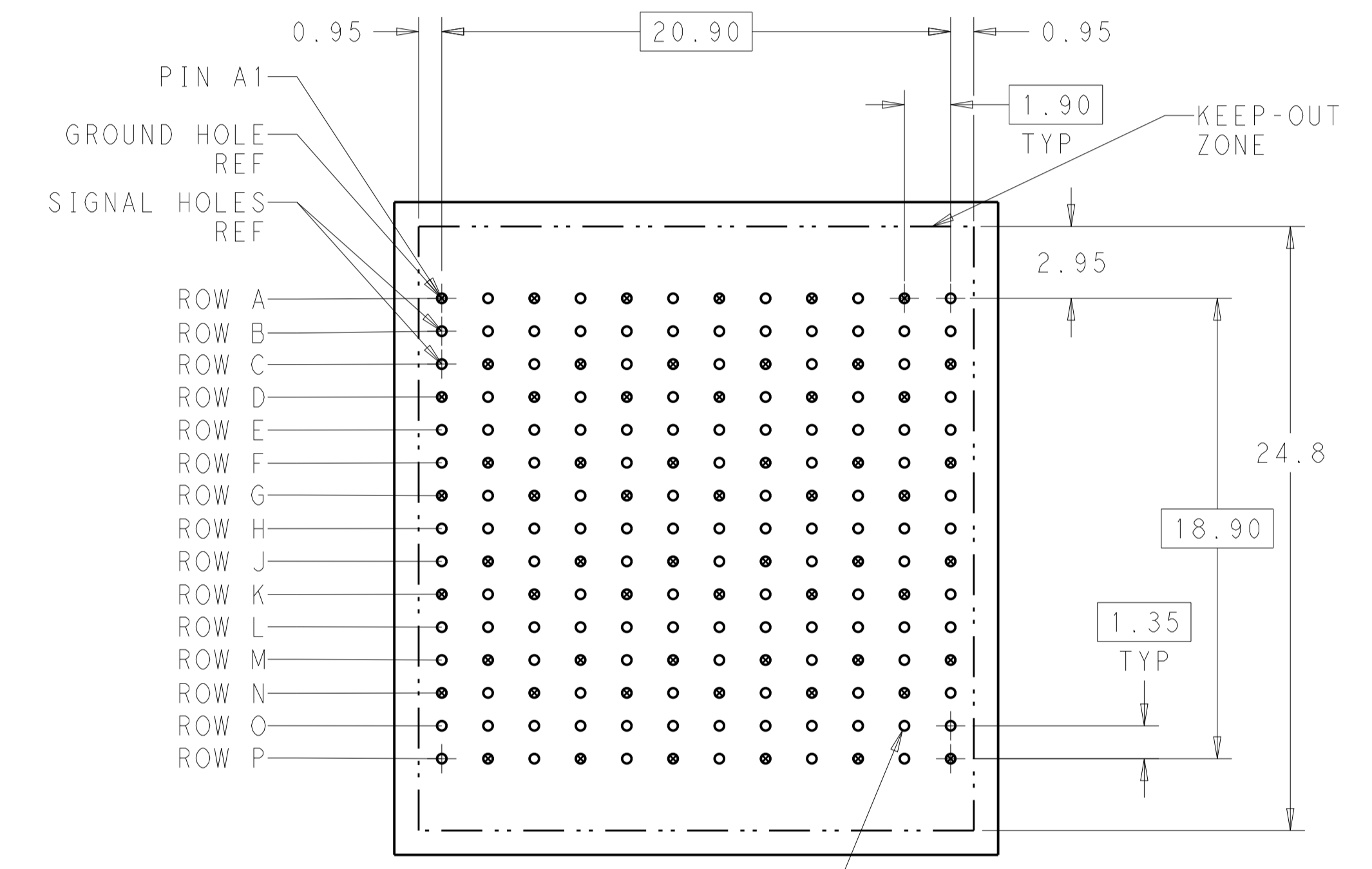


REVISIONS				
P.	LTN	DESCRIPTION	DATE	APVD
B		REVISED PER ECO-14-000933	29JAN2014	AP DD

NOTCH DESIGNATES ROW A

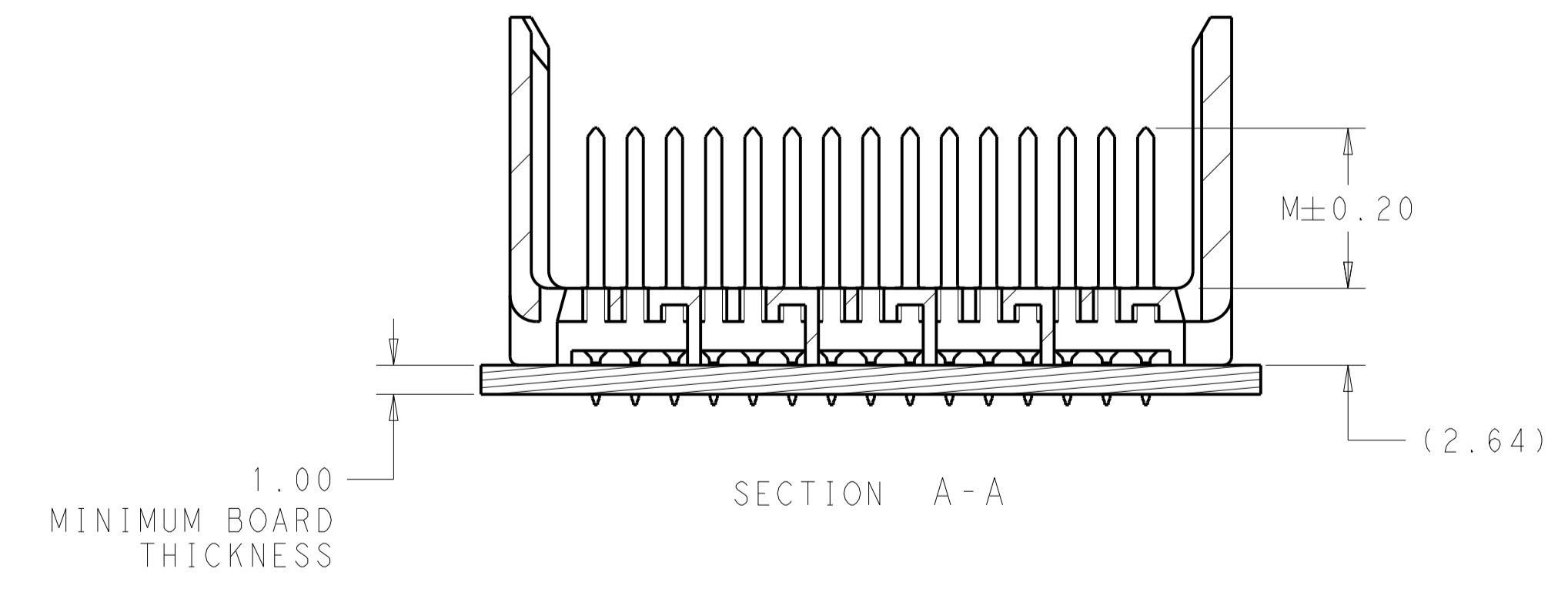
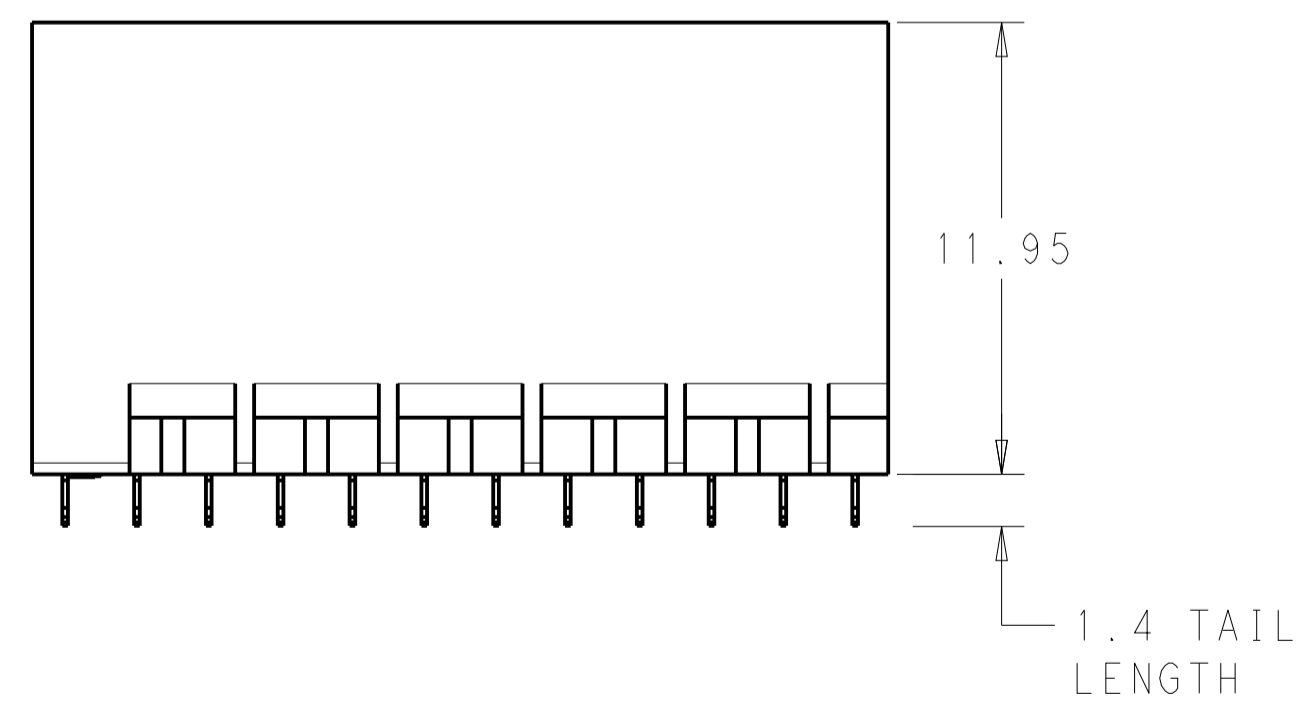


- 1 MATERIAL:
HOUSING: LCP, GLASS FILLED, UL94V-0.
TERMINALS: HIGH PERFORMANCE COPPER ALLOY.
- 2 FINISH:
30μ" MIN GOLD IN CONTACT AREA. SELECTIVE TIN ON PCB TAILS, NICKEL OVERALL.
- 3 FINISH:
30μ" MIN GOLD IN CONTACT AREA. SELECTIVE TIN-LEAD ON PCB TAILS, NICKEL OVERALL.



180X $\varnothing 0.39 \pm 0.05$
 $\varnothing 0.10$
PLATED THRU HOLE

UNGUIDED BACKPLANE HOLE PATTERN (CONNECTOR SIDE)



THIS DRAWING IS A CONTROLLED DOCUMENT.		OWN: RKC 09MAY2011	STE TE Connectivity
DIMENSIONS: mm		CHK: J. EARY 09MAY2011	
TOLERANCES UNLESS OTHERWISE SPECIFIED:		APVD: J. EARY 09MAY2011	NAME: IMPACT, 5 PAIR, 12 COLUMN, HEADER
0 PLC	±	PRODUCT SPEC	UNGUIDED, OPEN END WALL
1 PLC	±0.25	APPLICATION SPEC	SIGNAL MODULE, 0.39 PTH
2 PLC	±0.13	SIZE	A100779C=2110191
3 PLC	±	WEIGHT	RESTRICTED TO
4 PLC	±	CUSTOMER DRAWING	SCALE 5:1 SHEET 1 OF 2 REV B
ANGLES	±		
FINISH	SEE TABLE		

THIS DRAWING IS UNPUBLISHED. RELEASED FOR PUBLICATION 20
 © COPYRIGHT 20 BY - ALL RIGHTS RESERVED.

REVISIONS				
P.	LTN	DESCRIPTION	DATE	DMN
-	-	SEE SHEET 1	-	-

FINISH	DIM M	PART NUMBER
△3	5.5	2110191-6
△3	4.9	2110191-5
△3	4.5	2110191-4
△2	5.5	2110191-3
△2	4.9	2110191-2
△2	4.5	2110191-1

REFER TO WWW.TE.COM
FOR PRODUCT AVAILABILITY

THIS DRAWING IS A CONTROLLED DOCUMENT.		DMN RKC	09MAY2011	
DIMENSIONS: mm		CHK J. EARY	09MAY2011	
TOLERANCES UNLESS OTHERWISE SPECIFIED: 0 PLC ± 1 PLC ±0.25 2 PLC ±0.13 3 PLC ± 4 PLC ±		APVD J. EARY	09MAY2011	NAME
ANGLES FINISH		PRODUCT SPEC		IMPACT, 5 PAIR, 12 COLUMN, HEADER UNGUIDED, OPEN END WALL SIGNAL MODULE, 0.39 PTH
MATERIAL		APPLICATION SPEC		SIZE
SEE TABLE		WEIGHT		A100779C=2110191
CUSTOMER DRAWING		SCALE		RESTRICTED TO
		5:1		SHEET 2 OF 2 REV B