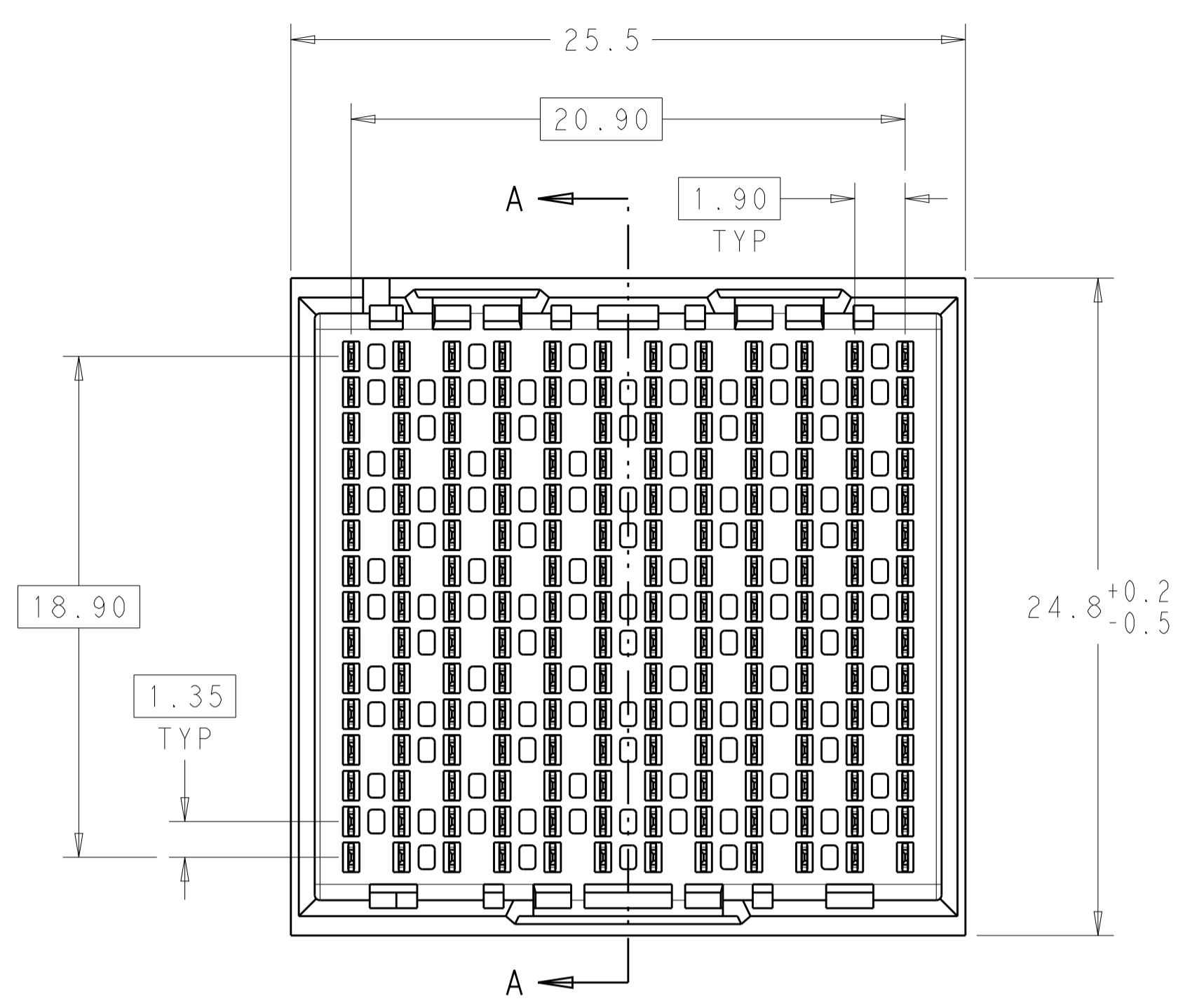
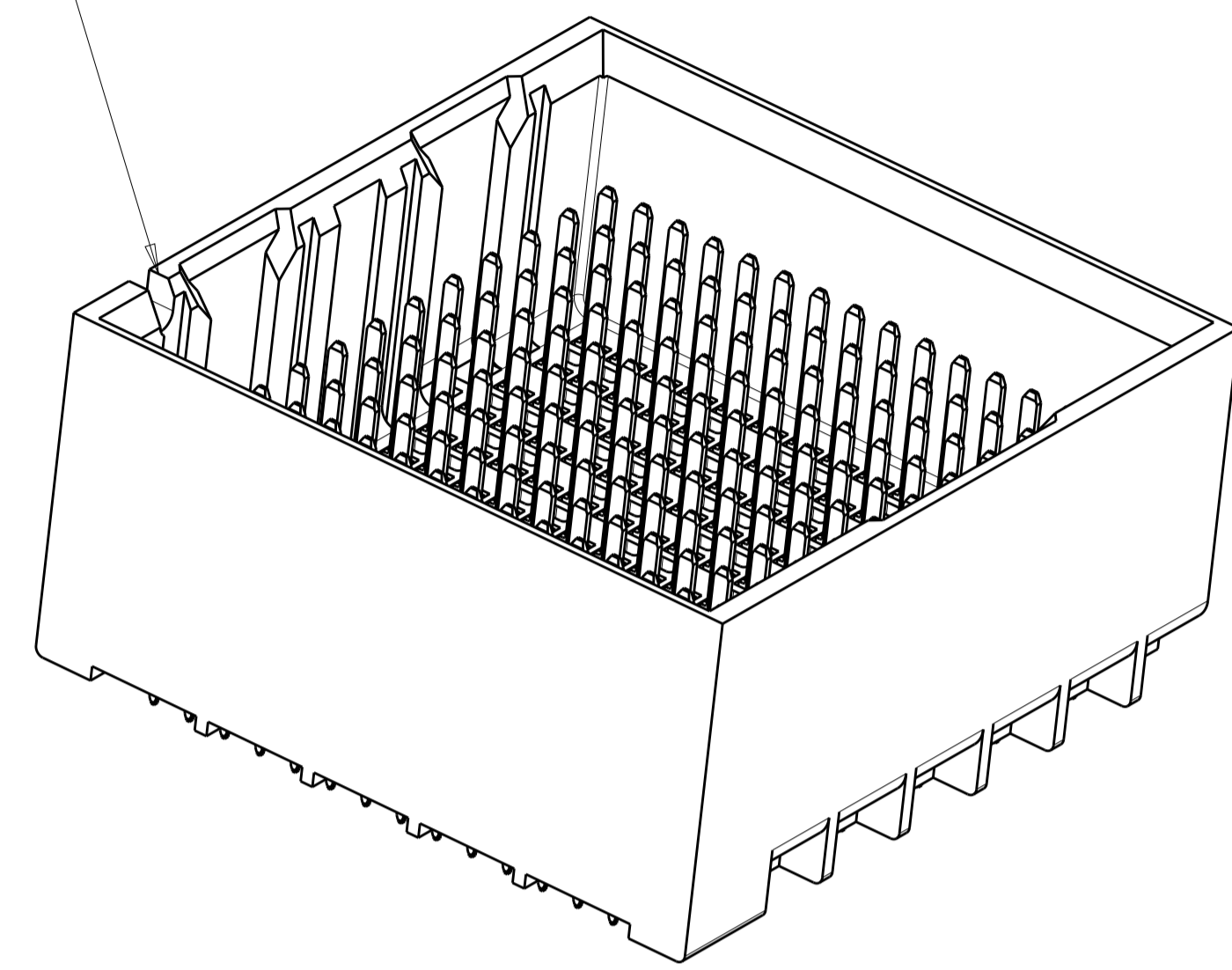


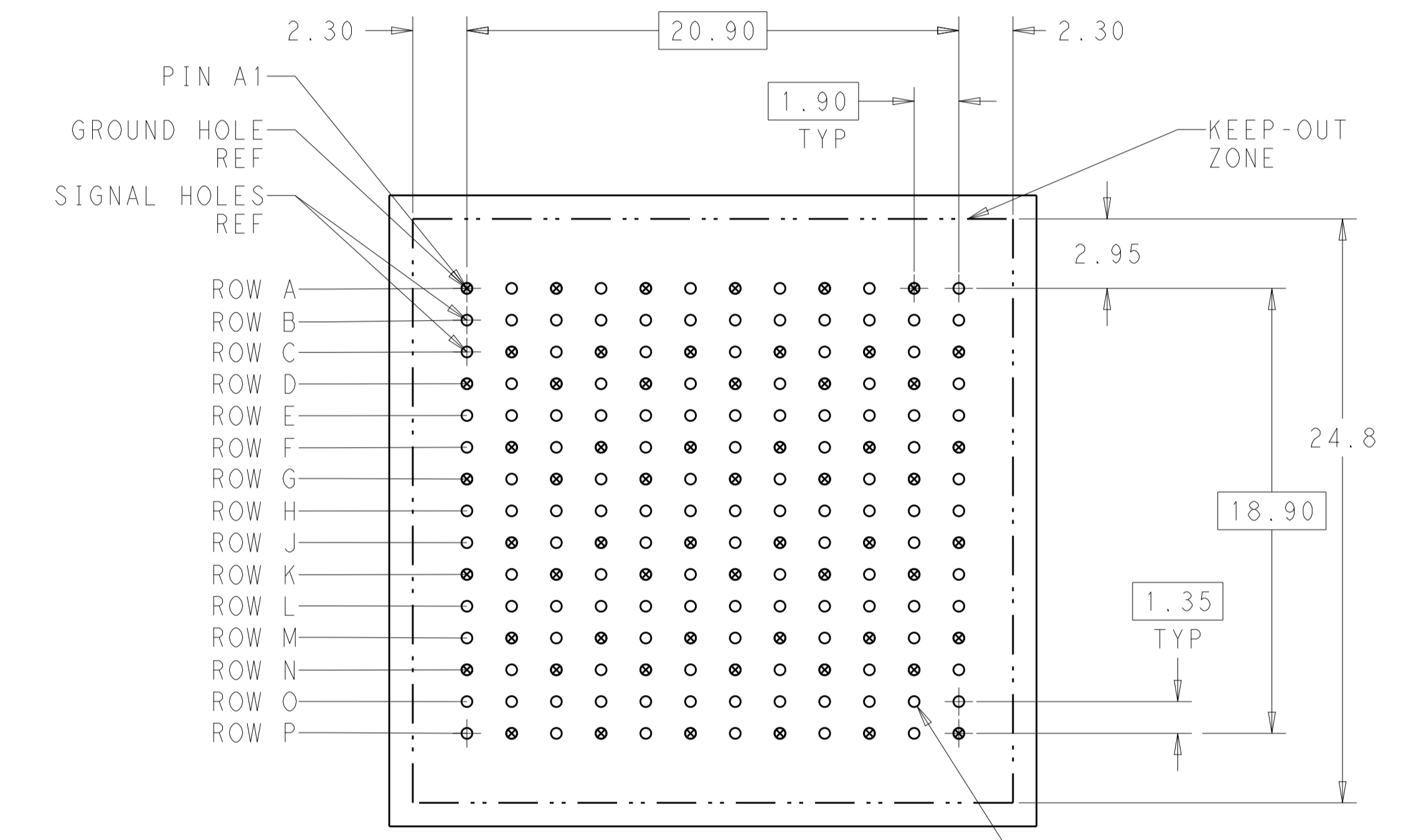
LOC		DIST		REVISIONS			
AD	00	P	LTN	DESCRIPTION	DATE	DWN	APVD
		A		CREATED BY AUTOMATION PROGRAM	09MAY2011	RKC	JE



NOTCH DESIGNATES ROW A



- 1 MATERIAL:
HOUSING: LCP, GLASS FILLED, UL94V-0.
TERMINALS: HIGH PERFORMANCE COPPER ALLOY.
- 2 FINISH:
30μ" MIN GOLD IN CONTACT AREA. SELECTIVE TIN ON PCB TAILS, NICKEL OVERALL.
- 3 FINISH:
30μ" MIN GOLD IN CONTACT AREA. SELECTIVE TIN-LEAD ON PCB TAILS, NICKEL OVERALL.

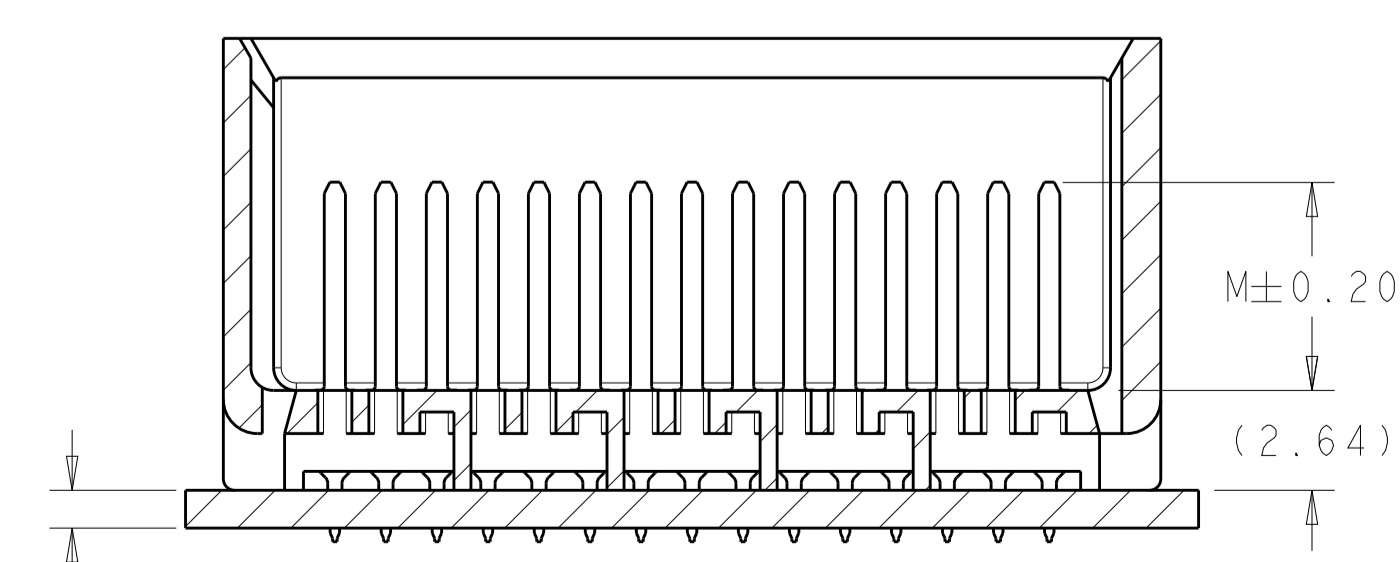
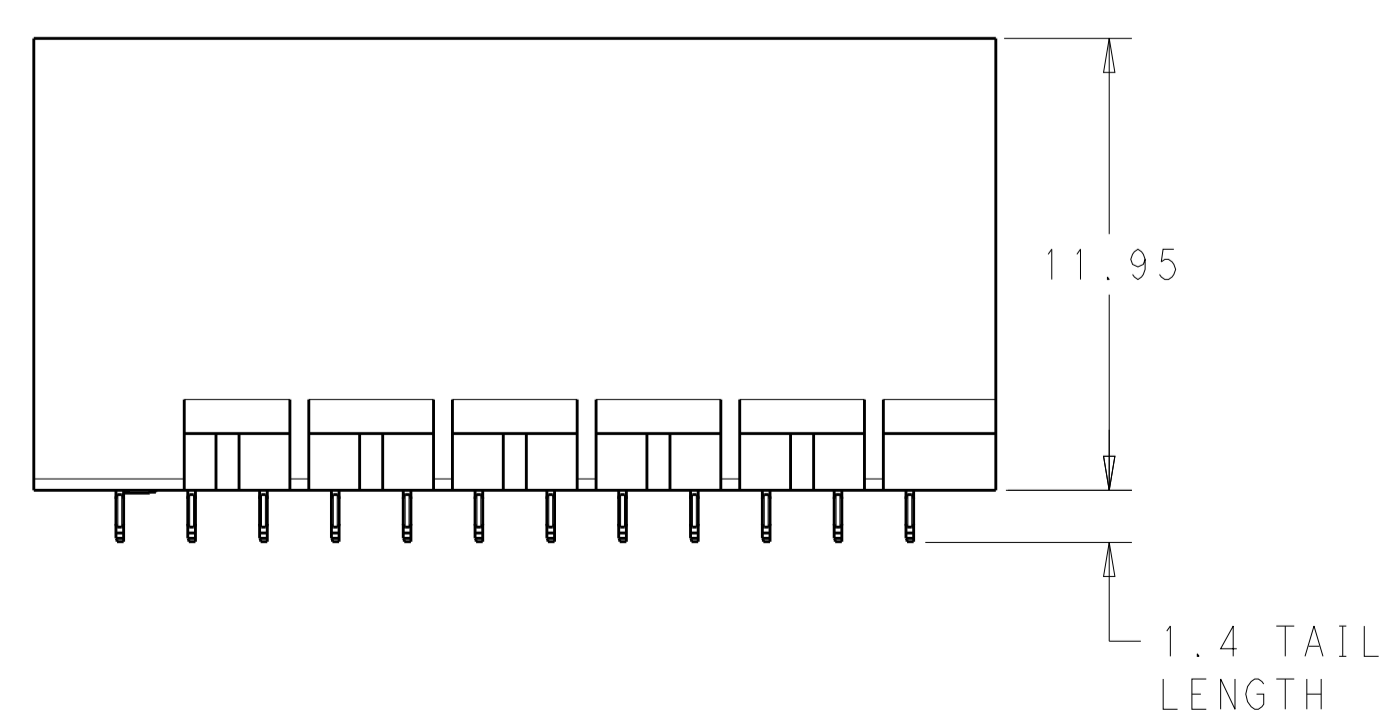


PIN A1
GROUND HOLE REF
SIGNAL HOLES REF
ROW A
ROW B
ROW C
ROW D
ROW E
ROW F
ROW G
ROW H
ROW J
ROW K
ROW L
ROW M
ROW N
ROW O
ROW P

180X Ø0.46±0.05
⊕ Ø0.10
PLATED THRU HOLE

180X Ø0.55±0.013
⊕ Ø0.10
DRILL HOLE

UNGUIDED BACKPLANE HOLE PATTERN (CONNECTOR SIDE)



1.00 MINIMUM BOARD THICKNESS

SECTION A-A

THIS DRAWING IS A CONTROLLED DOCUMENT.		DWN R. COELLO 09MAY2011	TE Connectivity
DIMENSIONS: mm		CHK J. EARY 09MAY2011	
TOLERANCES UNLESS OTHERWISE SPECIFIED:		APVD J. EARY 09MAY2011	NAME IMPACT, 5 PAIR, 12 COLUMN, HEADER UNGUIDED, DUAL END WALL SIGNAL MODULE, 0.46 PTH
0 PLC ±		PRODUCT SPEC	
1 PLC ±0.25		APPLICATION SPEC	SIZE CAGE CODE DRAWING NO RESTRICTED TO
2 PLC ±0.13		WEIGHT	A100779C=2110189
3 PLC ±		CUSTOMER DRAWING	SCALE 5:1 SHEET 1 OF 2 REV A
4 PLC ±			
ANGLES ±			
FINISH SEE TABLE			

THIS DRAWING IS UNPUBLISHED. RELEASED FOR PUBLICATION 20
 © COPYRIGHT 20 BY - ALL RIGHTS RESERVED.

LOC	DIST	REVISIONS					
		P	LTN	DESCRIPTION	DATE	DMN	APVD
AD	00	-		SEE SHEET 1	-	-	-

FINISH	DIM M	PART NUMBER
	5.5	2110189-6
	4.9	2110189-5
	4.5	2110189-4
	5.5	2110189-3
	4.9	2110189-2
	4.5	2110189-1

REFER TO WWW.TE.COM
FOR PRODUCT AVAILABILITY

THIS DRAWING IS A CONTROLLED DOCUMENT.		DMN R. COELLO 09MAY2011	
DIMENSIONS: mm		CHK J. EARY 09MAY2011	
		APVD J. EARY 09MAY2011	
TOLERANCES UNLESS OTHERWISE SPECIFIED: 0 PLC ± 1 PLC ±0.25 2 PLC ±0.13 3 PLC ± 4 PLC ± ANGLES ± FINISH SEE TABLE		NAME IMPACT, 5 PAIR, 12 COLUMN, HEADER UNGUIDED, DUAL END WALL SIGNAL MODULE, 0.46 PTH SIZE CAGE CODE DRAWING NO A100779C=2110189 WEIGHT - CUSTOMER DRAWING	
MATERIAL -		RESTRICTED TO	SCALE 5:1 SHEET 2 OF 2 REV A