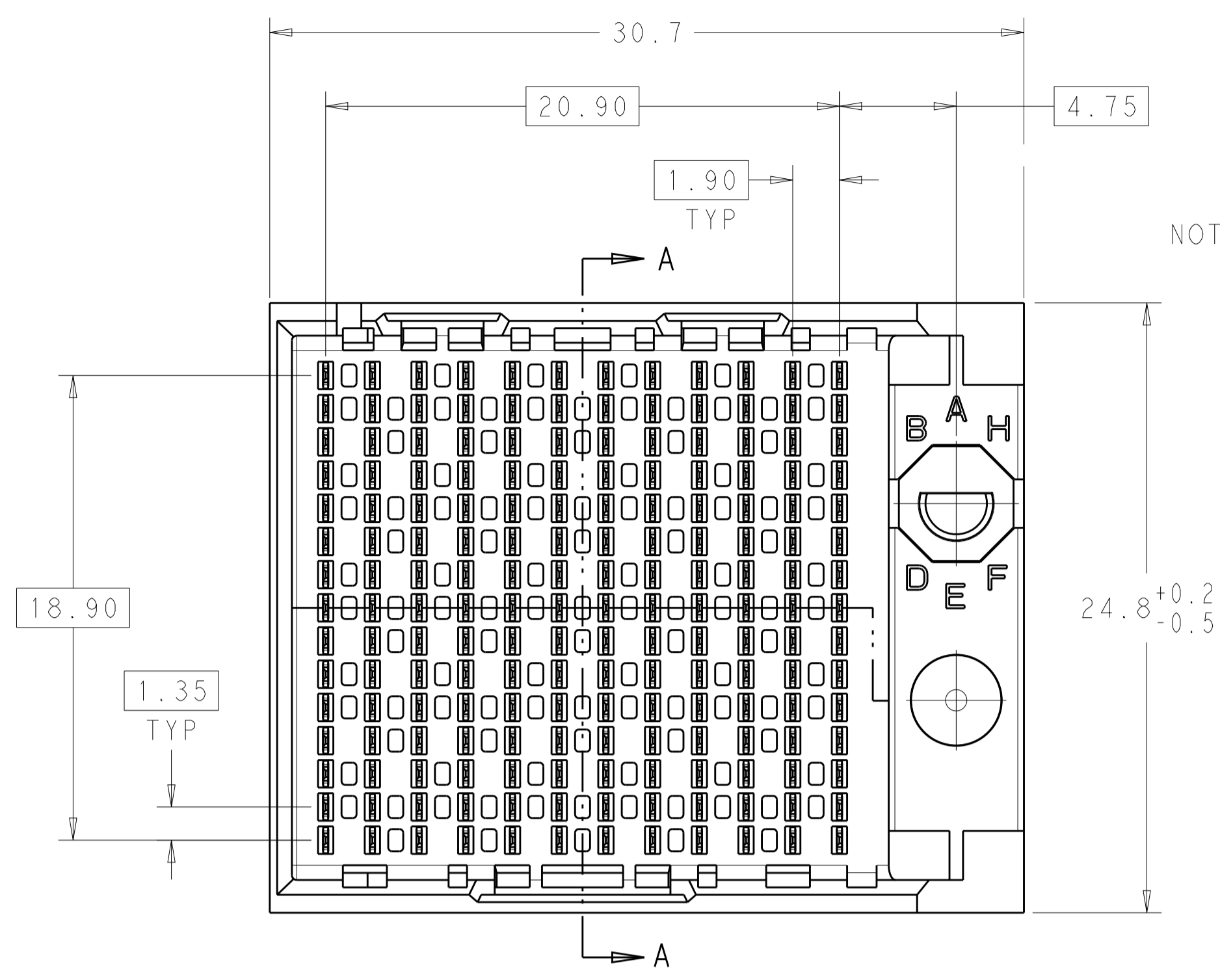
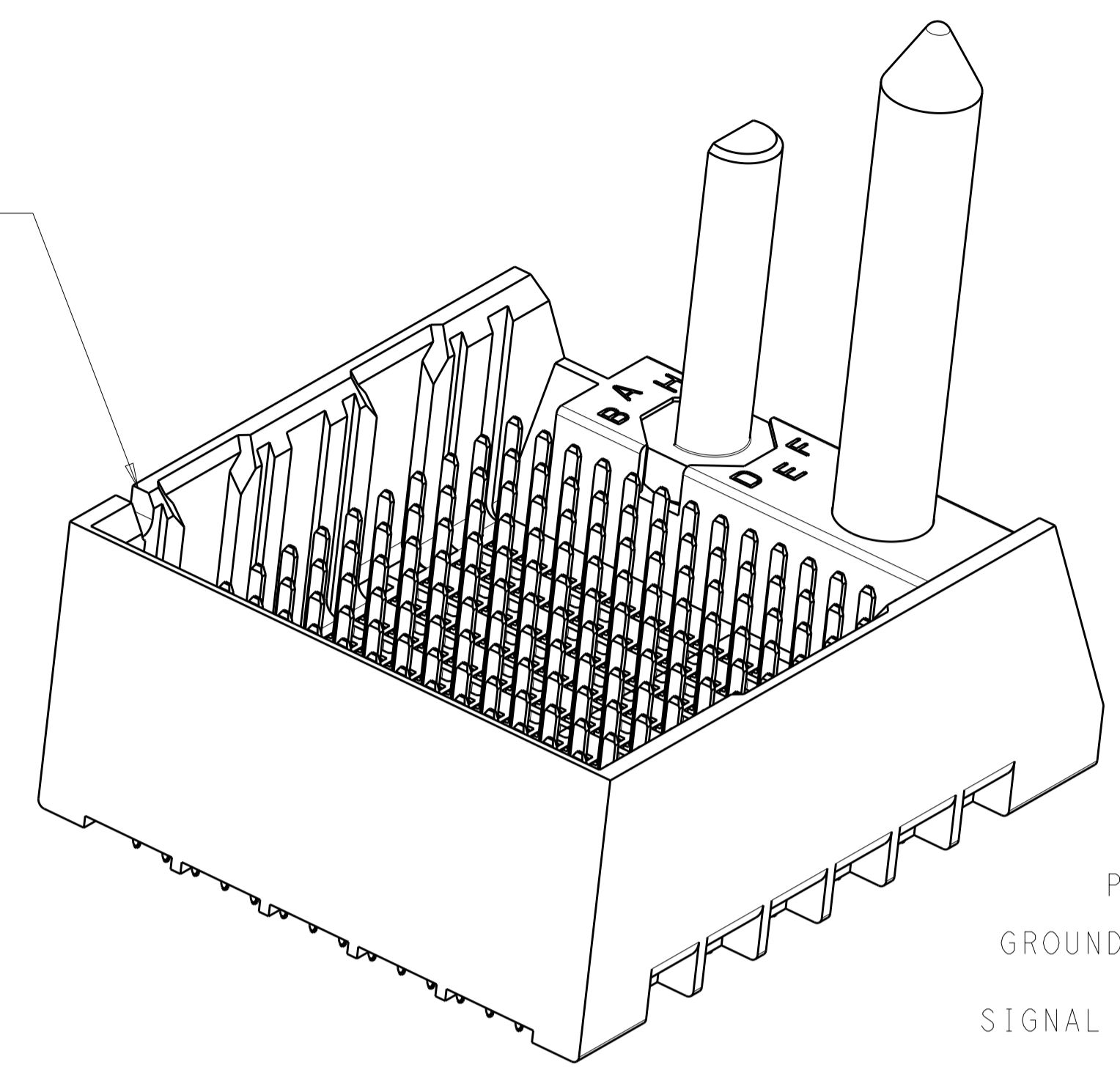


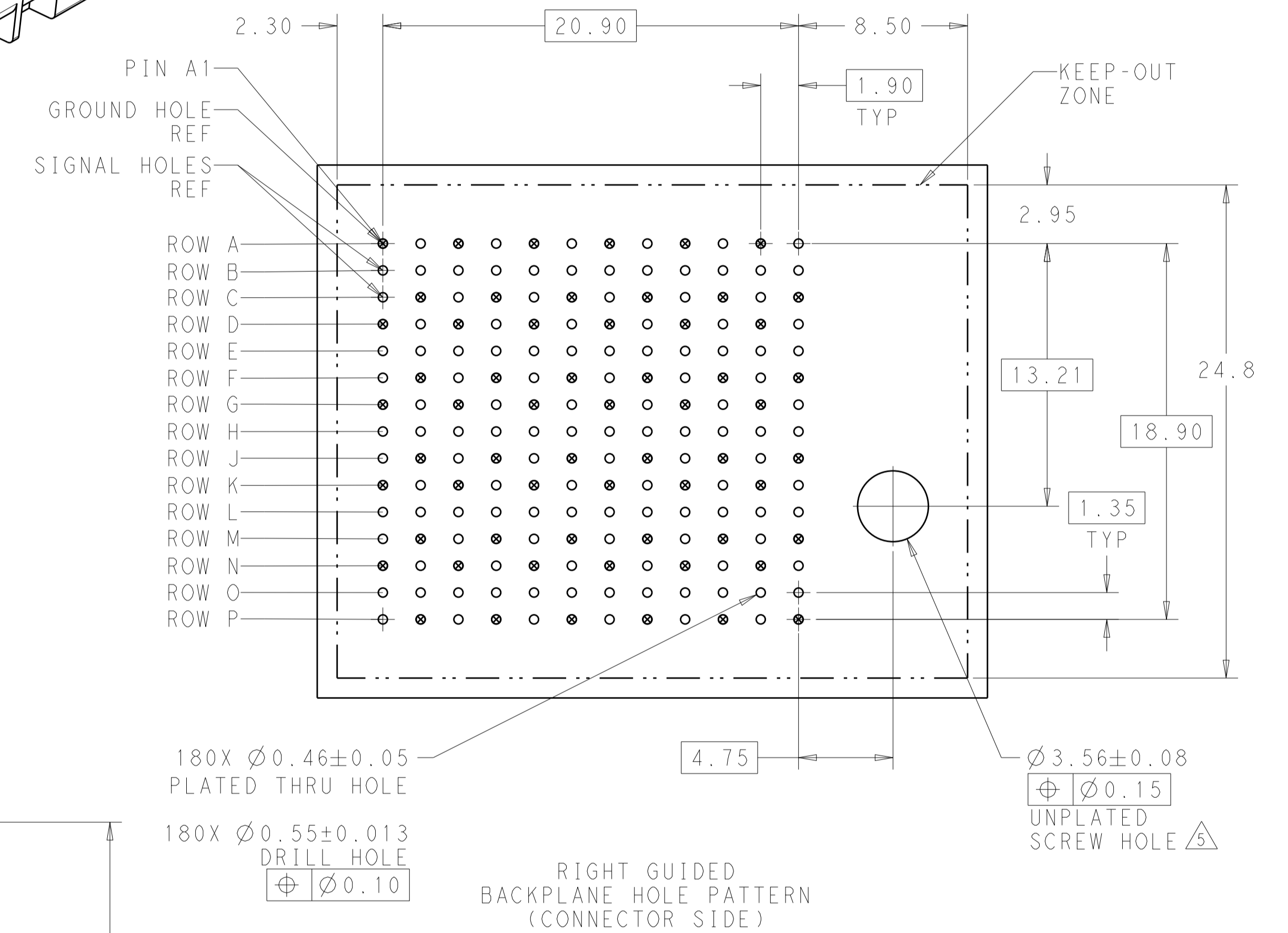
LOC	DIST	REVISIONS					
		P	LTN	DESCRIPTION	DATE	DWN	APVD
AD	00	A		CREATED BY AUTOMATION PROGRAM	10MAY2011	RKC	JE



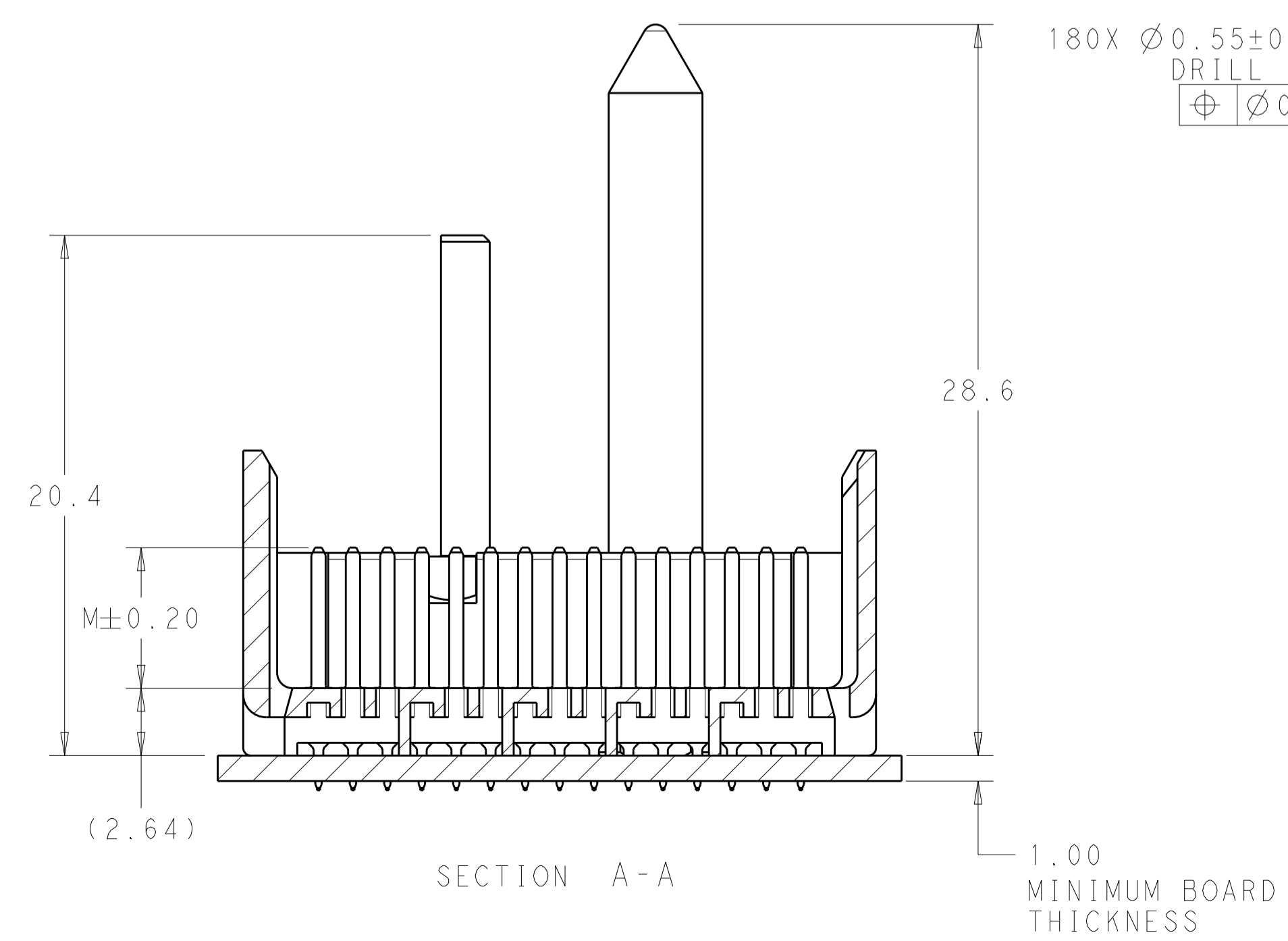
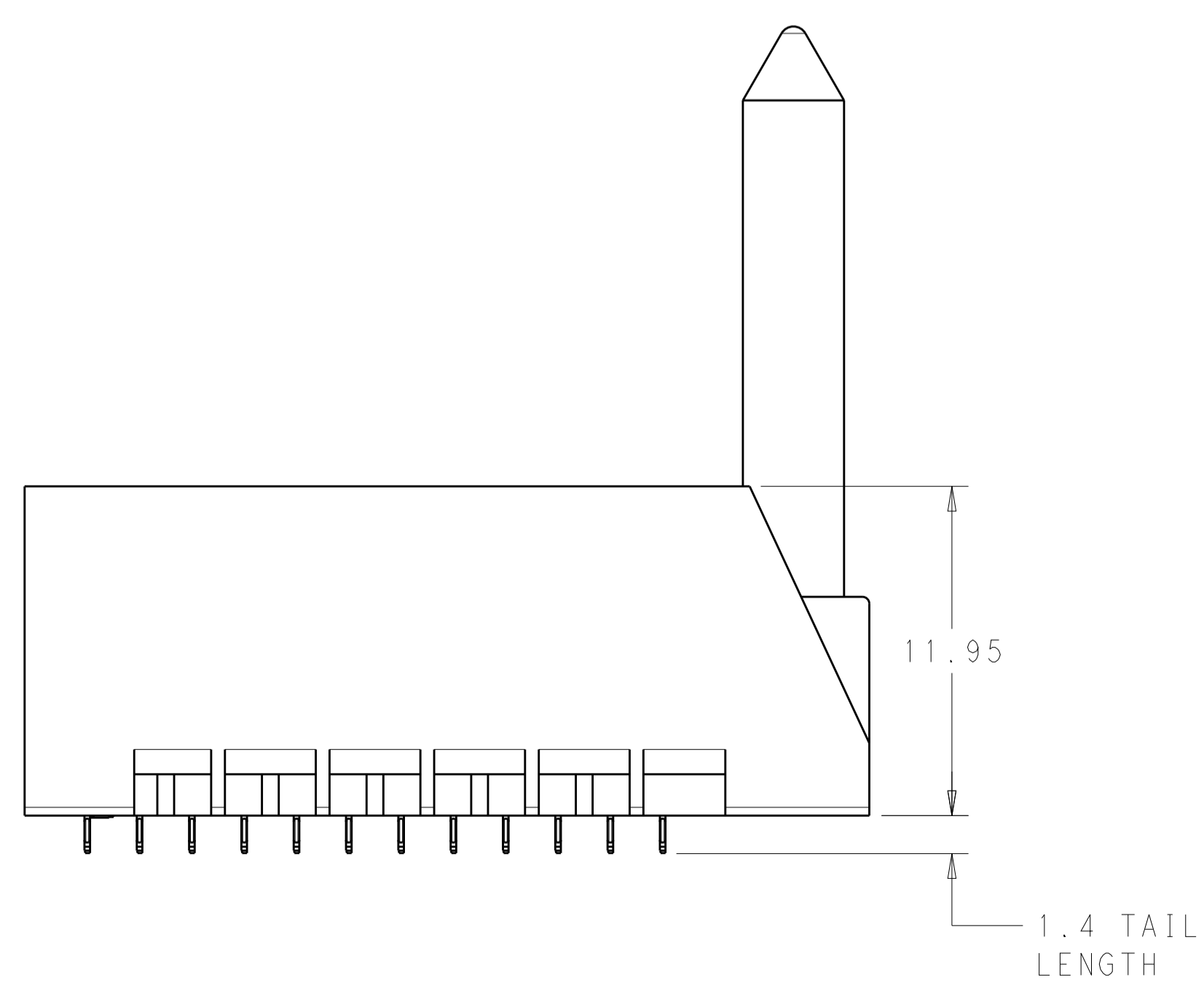
NOTCH DESIGNATES ROW A



- 1. MATERIAL:
HOUSING: LCP, GLASS FILLED, UL94V-0.
TERMINALS: HIGH PERFORMANCE COPPER ALLOY.
- 2. FINISH:
30µ" MIN GOLD IN CONTACT AREA. SELECTIVE TIN ON PCB TAILS, NICKEL OVERALL.
- 3. FINISH:
30µ" MIN GOLD IN CONTACT AREA. SELECTIVE TIN-LEAD ON PCB TAILS, NICKEL OVERALL.
- 4. SCREWS PACKAGED IN END OF PACKAGING TUBE.
- 5. FOR GROUNDED GUIDE PIN USE Ø3.56±0.08 PTH, Ø3.66 DRILL, AND Ø6.5 PAD.
- 6. KEYING PIN SHOWN IN POSITION A, SEE KEYING CHART ON SHEET 2 FOR OTHER POSITIONS.



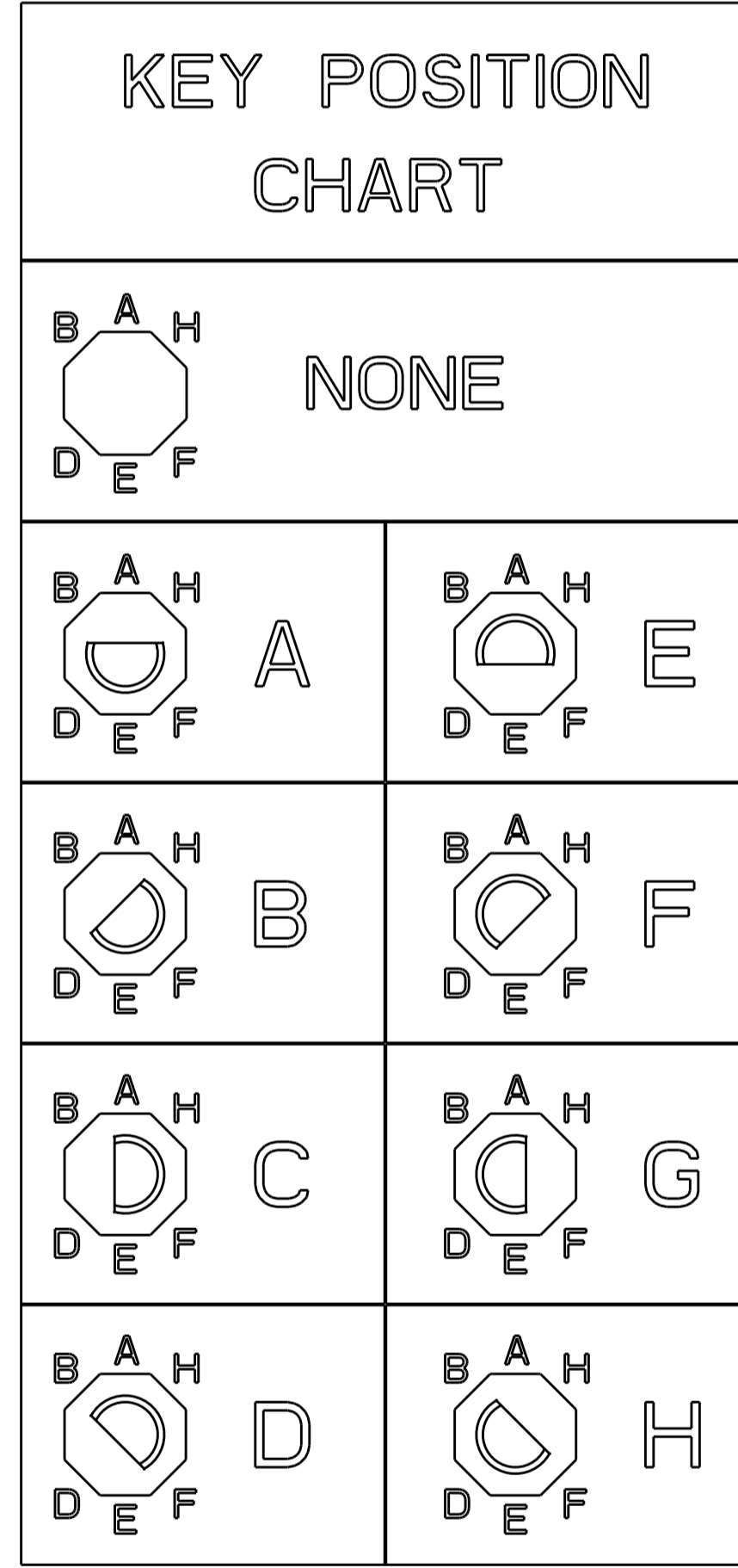
RIGHT GUIDED BACKPLANE HOLE PATTERN (CONNECTOR SIDE)



THIS DRAWING IS A CONTROLLED DOCUMENT.		DWN R. COELLO 09MAY2011	TE Connectivity NAME IMPACT, 5 PAIR, 12 COLUMN, HEADER RIGHT GUIDED, LEFT END WALL SIGNAL MODULE, 0.46 PTH SIZE CAGE CODE DRAWING NO. RESTRICTED TO A100779C=2110185 CUSTOMER DRAWING SCALE 5:1 SHEET 1 OF 2 REV A
DIMENSIONS:		CHK J. EARY 09MAY2011	
mm		APVD J. EARY 09MAY2011	
0 PLC ± 1 PLC ±0.25 2 PLC ±0.13 3 PLC ± 4 PLC ± ANGLES ± FINISH SEE TABLE		PRODUCT SPEC APPLICATION SPEC	

LOC		DIST		REVISIONS			
AD	00	P	LTN	DESCRIPTION	DATE	DWN	APVD
		-		SEE SHEET 1		-	-

3	H	5.5	8-2110185-6
3	H	4.9	8-2110185-5
3	H	4.5	8-2110185-4
2	H	5.5	8-2110185-3
2	H	4.9	8-2110185-2
2	H	4.5	8-2110185-1
3	G	5.5	7-2110185-6
3	G	4.9	7-2110185-5
3	G	4.5	7-2110185-4
2	G	5.5	7-2110185-3
2	G	4.9	7-2110185-2
2	G	4.5	7-2110185-1
3	F	5.5	6-2110185-6
3	F	4.9	6-2110185-5
3	F	4.5	6-2110185-4
2	F	5.5	6-2110185-3
2	F	4.9	6-2110185-2
2	F	4.5	6-2110185-1
3	E	5.5	5-2110185-6
3	E	4.9	5-2110185-5
3	E	4.5	5-2110185-4
2	E	5.5	5-2110185-3
2	E	4.9	5-2110185-2
2	E	4.5	5-2110185-1
3	D	5.5	4-2110185-6
3	D	4.9	4-2110185-5
3	D	4.5	4-2110185-4
2	D	5.5	4-2110185-3
2	D	4.9	4-2110185-2
2	D	4.5	4-2110185-1
3	C	5.5	3-2110185-6
3	C	4.9	3-2110185-5
3	C	4.5	3-2110185-4
2	C	5.5	3-2110185-3
2	C	4.9	3-2110185-2
2	C	4.5	3-2110185-1
3	B	5.5	2-2110185-6
3	B	4.9	2-2110185-5
3	B	4.5	2-2110185-4
2	B	5.5	2-2110185-3
2	B	4.9	2-2110185-2
2	B	4.5	2-2110185-1
3	A	5.5	1-2110185-6
3	A	4.9	1-2110185-5
3	A	4.5	1-2110185-4
2	A	5.5	1-2110185-3
2	A	4.9	1-2110185-2
2	A	4.5	1-2110185-1
3	-	5.5	2110185-6
3	-	4.9	2110185-5
3	-	4.5	2110185-4
2	-	5.5	2110185-3
2	-	4.9	2110185-2
2	-	4.5	2110185-1
FINISH	KEY POSITION	DIM M	PART NUMBER



REFER TO WWW.TE.COM
FOR PRODUCT AVAILABILITY

THIS DRAWING IS A CONTROLLED DOCUMENT.		DWN R. COELLO 09MAY2011 CHK J. EARY 09MAY2011 APVD J. EARY 09MAY2011	TE Connectivity	
DIMENSIONS:	TOLERANCES UNLESS OTHERWISE SPECIFIED:	PRODUCT SPEC	NAME: IMPACT, 5 PAIR, 12 COLUMN, HEADER RIGHT GUIDED, LEFT END WALL SIGNAL MODULE, 0.46 PTH	
mm	0 PLC ±0.25 2 PLC ±0.13 3 PLC ± 4 PLC ± ANGLES ±	APPLICATION SPEC		
MATERIAL	FINISH SEE TABLE	WEIGHT	SIZE: A100779	CAGE CODE: C=2110185
CUSTOMER DRAWING		SCALE: 5:1	SHEET: 2 OF 2	REV: A