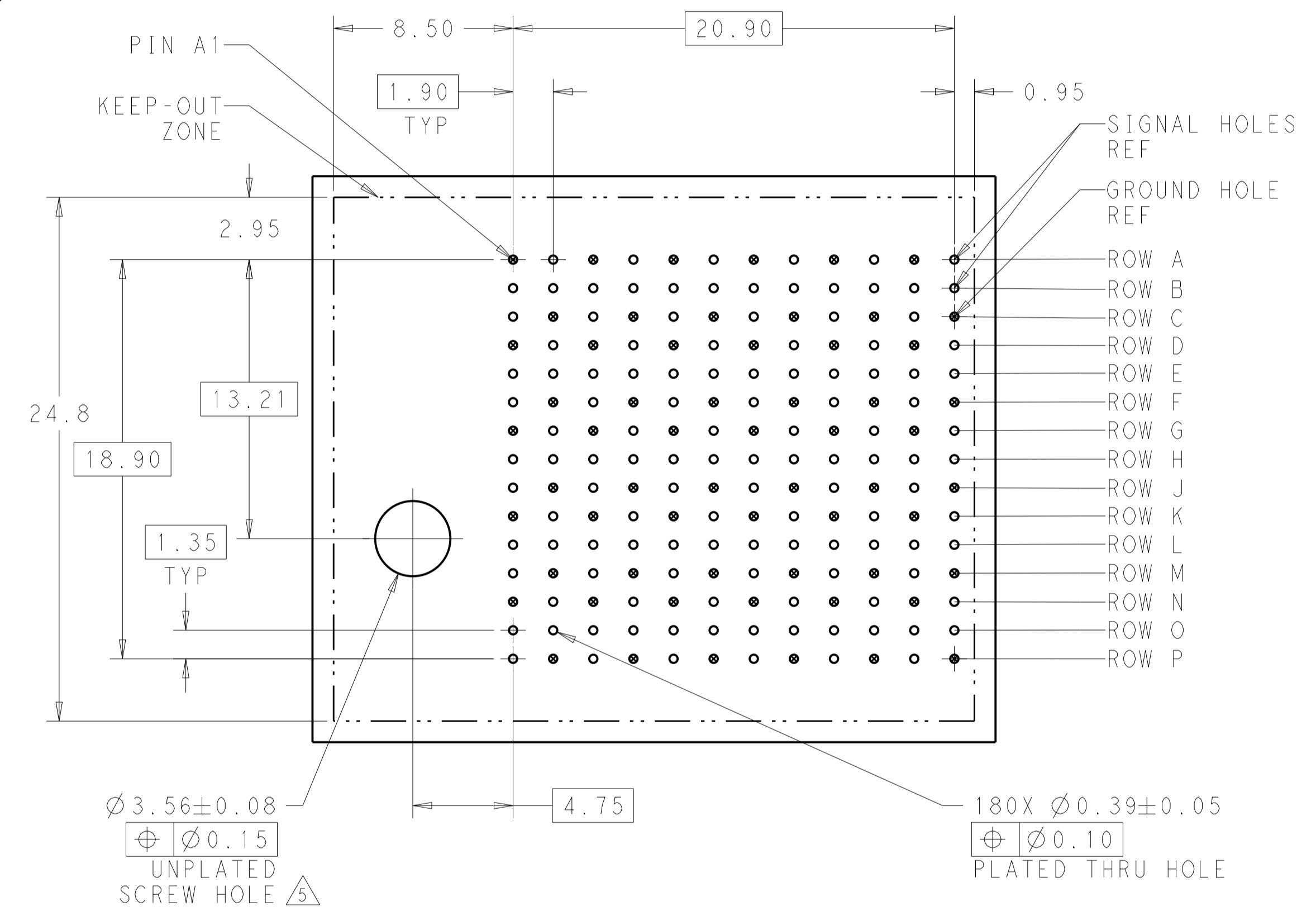
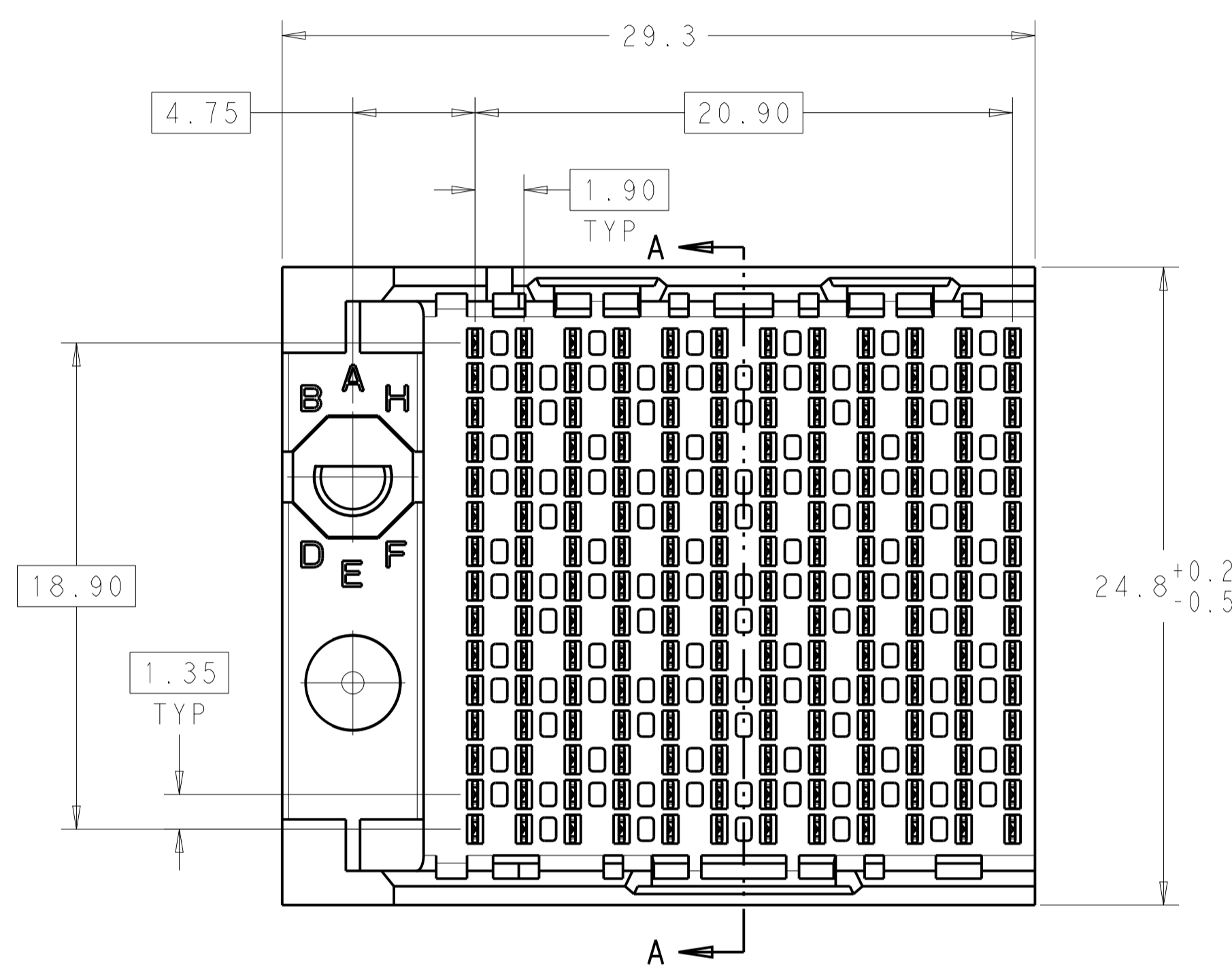
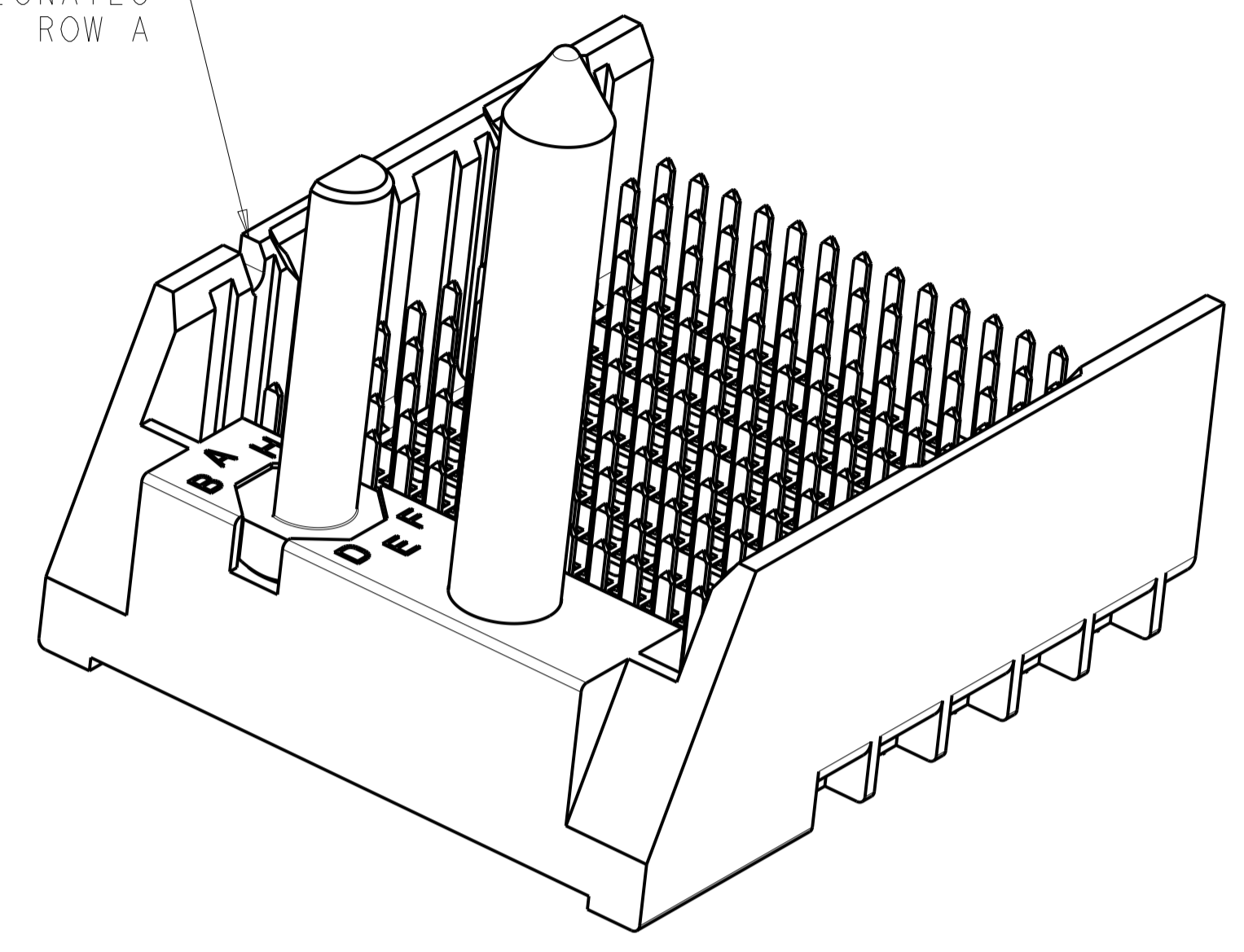


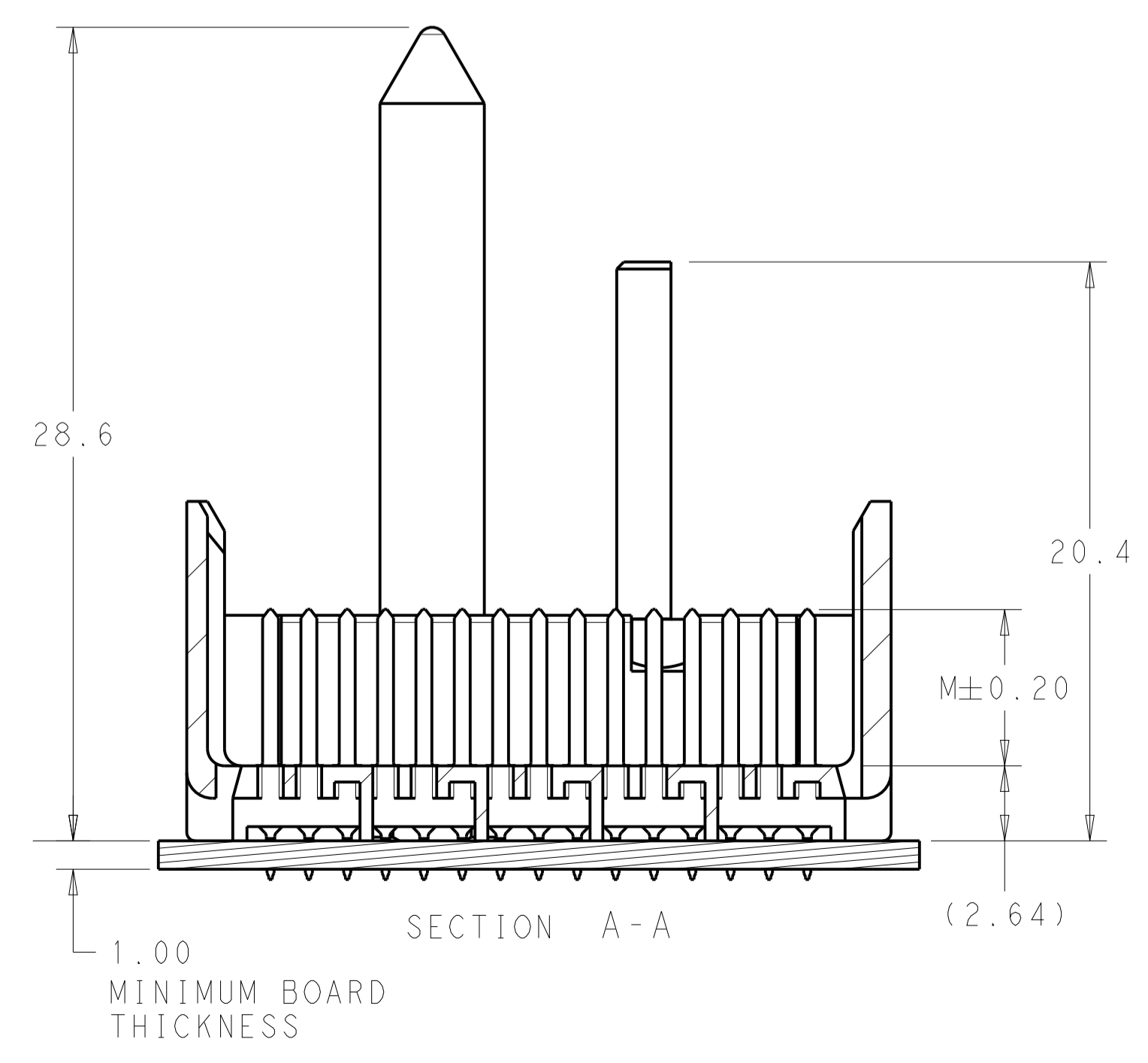
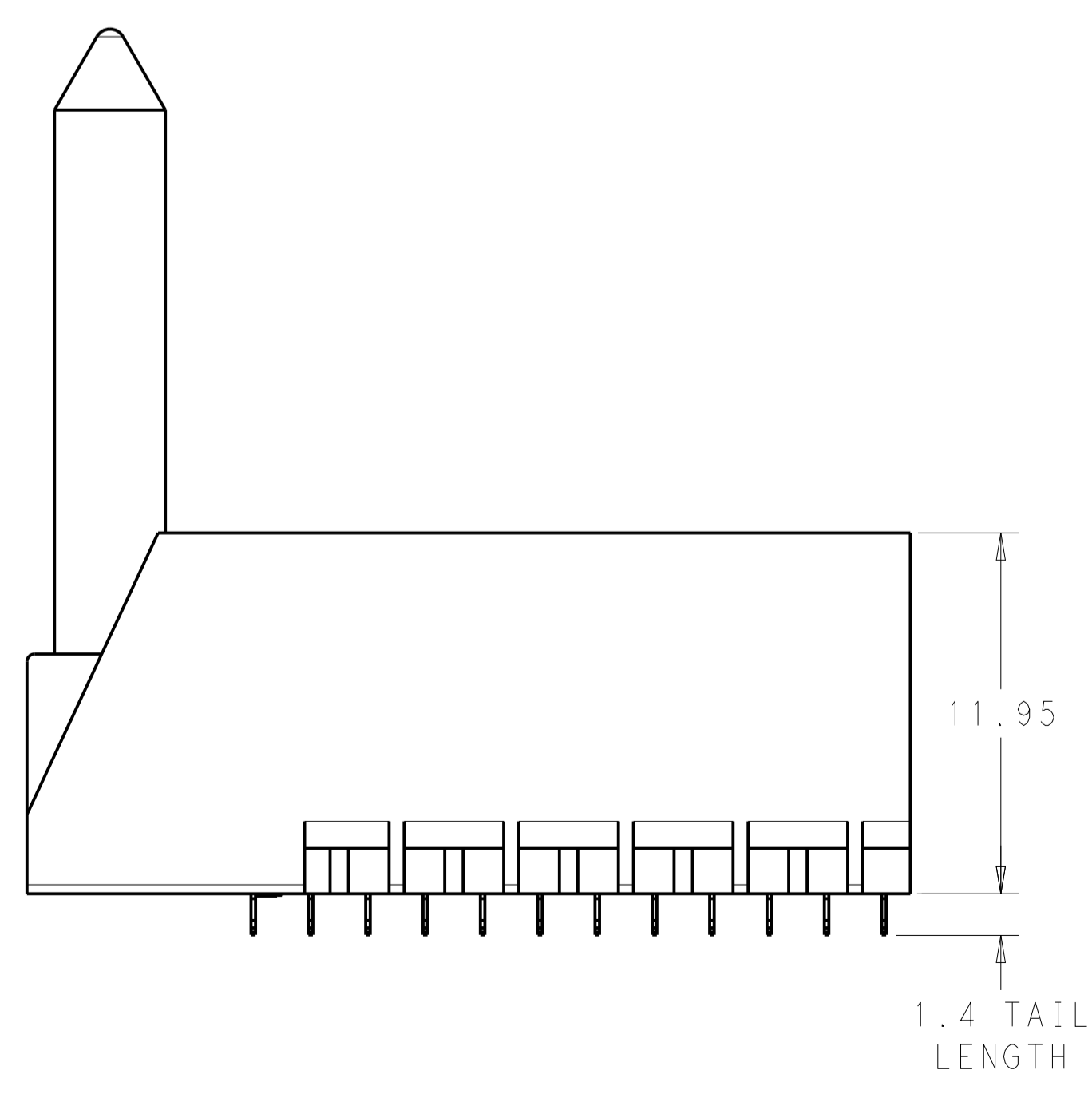
REVISIONS				
REV	LTN	DESCRIPTION	DATE	APVD
B		REVISED PER ECO-14-000933	29JAN2014	AP DD

- △ MATERIAL:
HOUSING: LCP, GLASS FILLED, UL94V-0.
TERMINALS: HIGH PERFORMANCE COPPER ALLOY.
- △ FINISH:
30μ" MIN GOLD IN CONTACT AREA. SELECTIVE TIN ON PCB TAILS, NICKEL OVERALL.
- △ FINISH:
30μ" MIN GOLD IN CONTACT AREA. SELECTIVE TIN-LEAD ON PCB TAILS, NICKEL OVERALL.
- 4. SCREWS PACKAGED IN END OF PACKAGING TUBE.
- △ FOR GROUNDED GUIDE PIN USE Ø3.56±0.08 PTH, Ø3.66 DRILL, AND Ø6.5 PAD.
- 6. KEYING PIN SHOWN IN POSITION A, SEE KEYING CHART ON SHEET 2 FOR OTHER POSITIONS.

NOTCH DESIGNATES ROW A



LEFT GUIDED BACKPLANE HOLE PATTERN (CONNECTOR SIDE)

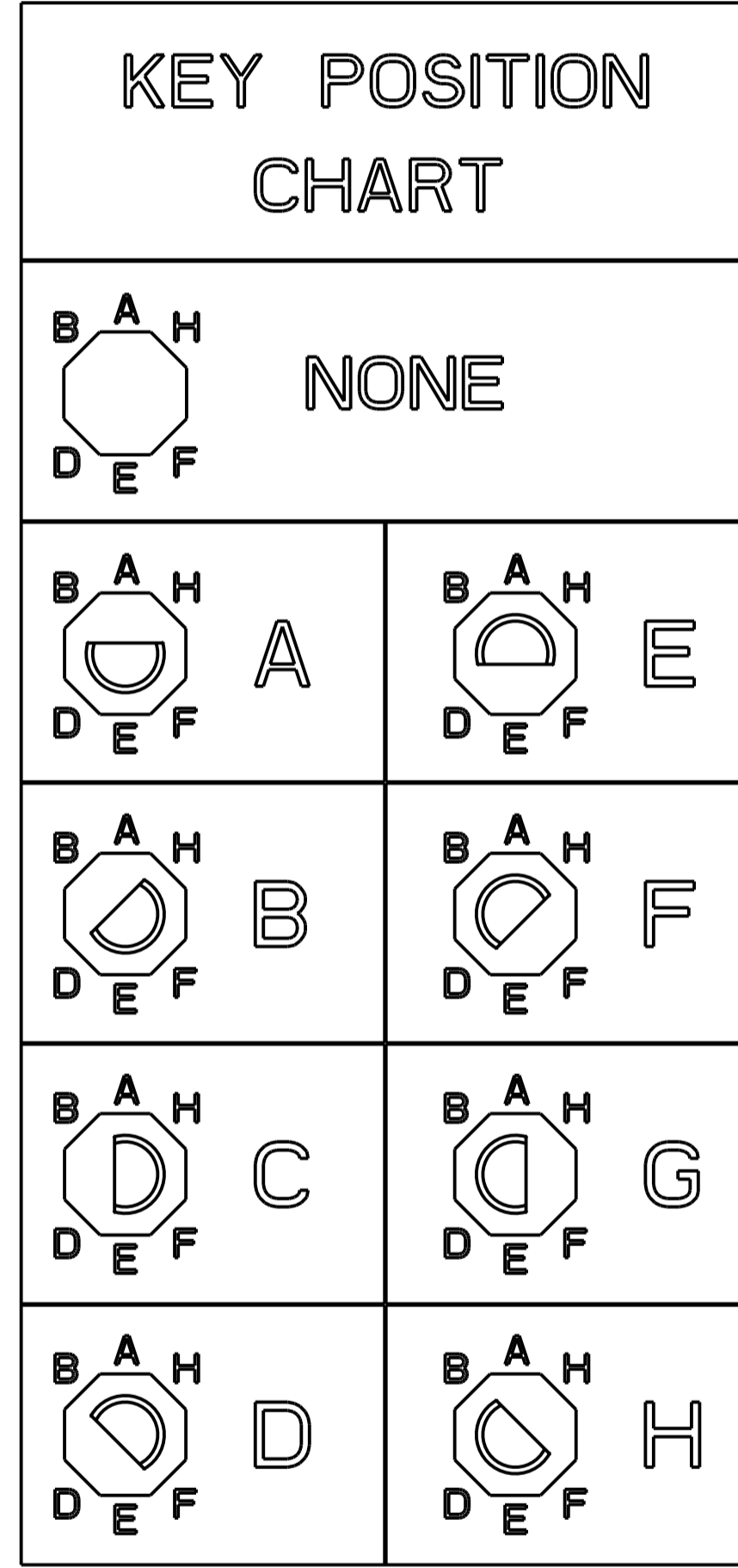


THIS DRAWING IS A CONTROLLED DOCUMENT.		OWN: RKC 09MAY2011	TE Connectivity
DIMENSIONS: mm		CHK: J. EARY 09MAY2011	
TOLERANCES UNLESS OTHERWISE SPECIFIED:		APVD: J. EARY 09MAY2011	NAME: IMPACT, 5 PAIR, 12 COLUMN, HEADER LEFT GUIDED, OPEN END WALL SIGNAL MODULE, 0.39 PTH SIZE: CAGE CODE DRAWING NO. RESTRICTED TO A100779C=2110180
0 PLC ± 1 PLC ±0.25 2 PLC ±0.13 3 PLC ± 4 PLC ± ANGLES ±		PRODUCT SPEC APPLICATION SPEC WEIGHT CUSTOMER DRAWING	
MATERIAL: SEE TABLE		SCALE: 5:1	SHEET 1 OF 2 REV B

REVISIONS				
REV	LTN	DESCRIPTION	DATE	APVD
-	-	SEE SHEET 1	-	-

3	H	5.5	8-2110180-6
3	H	4.9	8-2110180-5
3	H	4.5	8-2110180-4
2	H	5.5	8-2110180-3
2	H	4.9	8-2110180-2
2	H	4.5	8-2110180-1
3	G	5.5	7-2110180-6
3	G	4.9	7-2110180-5
3	G	4.5	7-2110180-4
2	G	5.5	7-2110180-3
2	G	4.9	7-2110180-2
2	G	4.5	7-2110180-1
3	F	5.5	6-2110180-6
3	F	4.9	6-2110180-5
3	F	4.5	6-2110180-4
2	F	5.5	6-2110180-3
2	F	4.9	6-2110180-2
2	F	4.5	6-2110180-1
3	E	5.5	5-2110180-6
3	E	4.9	5-2110180-5
3	E	4.5	5-2110180-4
2	E	5.5	5-2110180-3
2	E	4.9	5-2110180-2
2	E	4.5	5-2110180-1
3	D	5.5	4-2110180-6
3	D	4.9	4-2110180-5
3	D	4.5	4-2110180-4
2	D	5.5	4-2110180-3
2	D	4.9	4-2110180-2
2	D	4.5	4-2110180-1
3	C	5.5	3-2110180-6
3	C	4.9	3-2110180-5
3	C	4.5	3-2110180-4
2	C	5.5	3-2110180-3
2	C	4.9	3-2110180-2
2	C	4.5	3-2110180-1
3	B	5.5	2-2110180-6
3	B	4.9	2-2110180-5
3	B	4.5	2-2110180-4
2	B	5.5	2-2110180-3
2	B	4.9	2-2110180-2
2	B	4.5	2-2110180-1
3	A	5.5	1-2110180-6
3	A	4.9	1-2110180-5
3	A	4.5	1-2110180-4
2	A	5.5	1-2110180-3
2	A	4.9	1-2110180-2
2	A	4.5	1-2110180-1
3	-	5.5	2110180-6
3	-	4.9	2110180-5
3	-	4.5	2110180-4
2	-	5.5	2110180-3
2	-	4.9	2110180-2
2	-	4.5	2110180-1
FINISH	KEY POSITION	DIM M	PART NUMBER

REFER TO WWW.TE.COM
FOR PRODUCT AVAILABILITY



THIS DRAWING IS A CONTROLLED DOCUMENT.		OWN: RKC 09MAY2011	STE TE Connectivity
DIMENSIONS: mm		CHK: J. EARY 09MAY2011	
TOLERANCES UNLESS OTHERWISE SPECIFIED:		APVD: J. EARY 09MAY2011	NAME: IMPACT, 5 PAIR, 12 COLUMN, HEADER LEFT GUIDED, OPEN END WALL SIGNAL MODULE, 0.39 PTH
0 PLC ±0.25		PRODUCT SPEC	SIZE: CAGE CODE DRAWING NO
2 PLC ±0.13		APPLICATION SPEC	RESTRICTED TO
3 PLC ±		WEIGHT	A100779C=2110180
4 PLC ±		CUSTOMER DRAWING	SCALE 5:1 SHEET 2 OF 2 REV B
ANGLES			