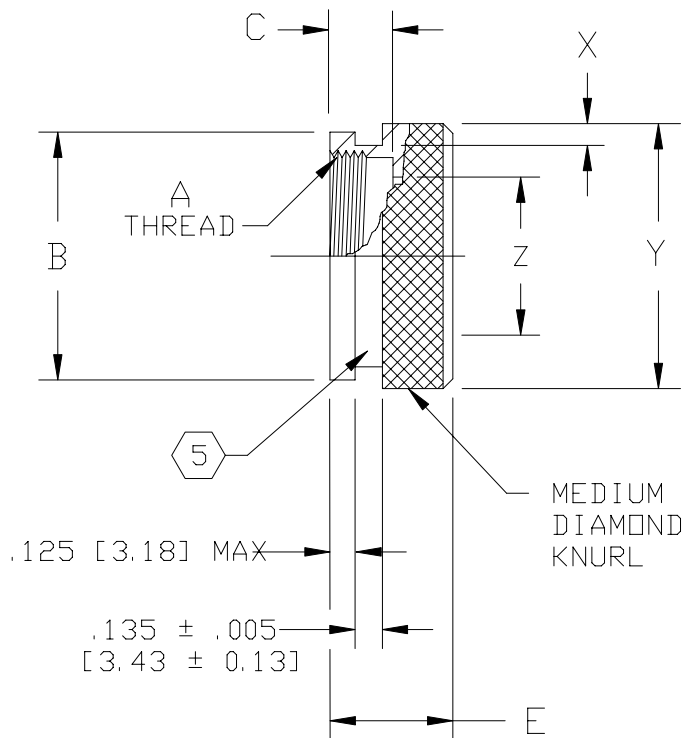


REVISIONS			
LTR	DESCRIPTION	DATE	APPROVED
B	REVISED PER ECN AD93032		




NOTES:

- THIS PRODUCT IS DESIGNED TO TERMINATE A HEAT SHRINKABLE LIPPED BOOT TO A CONNECTOR.
- FOR ADDITIONAL DIMENSIONS, ORDERING INFORMATION AND MODIFICATIONS, SEE CH00-0250-0
- ADAPTER TO BE PERMANENTLY MARKED WITH CODE IDENT. NO. AND PART NO. (E.G.: 06090-210M512-19A).
- ADAPTER MATES TO MIL-C-5015, SOLDER CONTACT MS3100, MS3101, MS3106, MS3107 AND MS3108, CLASS A AND B WITH ENDBELL, ANY MANUFACTURER.
- KNURL INSIDE BOOT GROOVE MAY BE SUPPLIED AT MANUFACTURER'S OPTION.

If this document is printed it becomes uncontrolled.
Check for the latest revision.

SPECIFICATION CONTROL DRAWING

UNLESS OTHERWISE SPECIFIED DIMENSIONS ARE IN INCHES. METRIC DIMENSIONS ARE IN BRACKETS. DECIMALS .XXX ± — [mm] .XX ± — [mm] .X ± — [mm] ANGLES .X ± —	DRAWN E. GOLDY	DATE 07-12-93		Tyco Electronics Corporation 300 Constitution Drive Menlo Park, CA. 94025 U.S.A.	
	CHECKED	DATE			
	APPROVED	DATE	TITLE ADAPTER, SOLID CODE 15		
	APPROVED	DATE			
CAD NAME \ACAD12\210M5XX		SIZE A	CODE IDENT. NO. 06090	DWG. NO. 210M5XX	REV B
THIRD ANGLE PROJECTION		DO NOT SCALE THIS DWG			SHEET 1 OF 2

BASE PART NO.	SHELL SIZE 	A R. H. THREAD CLASS 2B	B +.000 -.020 [+.00] [-0.51] DIA	C ±.020 [±0.51]	Y +.000 -.045 [+.00] [-1.16] DIA	X +.008 -.000 [+.020] [-0.00]	E +.000 -.062 [+.00] [-1.59]	Z MIN DIA
			210M503	8S & 10S	.500-28 UNEF	.657 [16.69]	.312 [7.92]	.688 [17.48]
210M504	10SL, 12 & 12S	.625-24 UNEF	.774 [19.66]	.312 [7.92]	.803 [20.40]	.044 [1.11]	.540 [13.72]	.375 [9.53]
210M506	14 & 14S	.750-20 UNEF	.898 [22.81]	.312 [7.92]	.938 [23.83]	.044 [1.11]	.540 [13.72]	.531 [13.49]
210M508	16 & 16S	.875-20 UNEF	1.024 [26.01]	.312 [7.92]	1.062 [26.98]	.044 [1.11]	.540 [13.72]	.625 [15.88]
210M510	18	1.000-20 UNEF	1.152 [29.27]	.312 [7.92]	1.238 [31.45]	.069 [1.75]	.540 [13.72]	.750 [19.05]
210M512	20 & 22	1.188-18 UNEF	1.370 [34.80]	.312 [7.92]	1.436 [36.48]	.069 [1.75]	.540 [13.72]	.969 [24.61]
210M516	24 & 28	1.438-18 UNEF	1.618 [41.10]	.312 [7.92]	1.686 [42.83]	.069 [1.75]	.540 [13.72]	1.188 [30.18]
210M520	32	1.750-18 UNS	1.969 [50.02]	.375 [9.53]	2.062 [52.38]	.086 [2.18]	.702 [17.84]	1.375 [34.93]
210M524	36	2.000-18 UNS	2.219 [56.37]	.438 [11.13]	2.312 [58.73]	.086 [2.18]	.702 [17.84]	1.625 [41.28]
210M528	40	2.250-16 UN	2.469 [62.72]	.438 [11.13]	2.562 [65.08]	.086 [2.18]	.702 [17.84]	1.875 [47.63]

If this document is printed it becomes uncontrolled.
Check for the latest revision.

SIZE A	CODE IDENT. NO. 06090	DWG. NO. 210M5XX	REV B
DO NOT SCALE THIS DWG		CAD NAME \ACAD12\210M5X-4	SHEET 2 OF 2