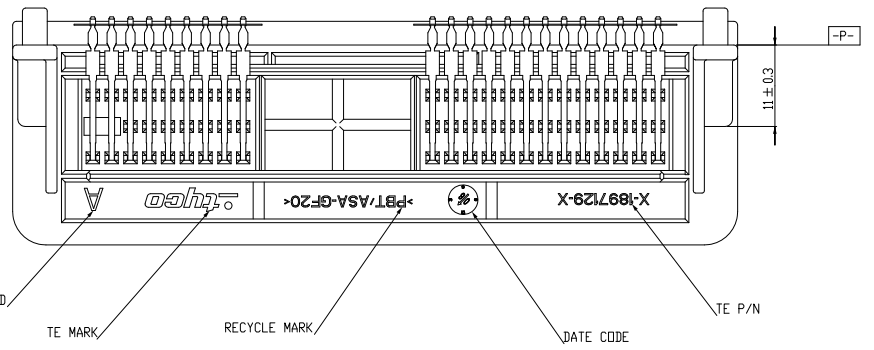
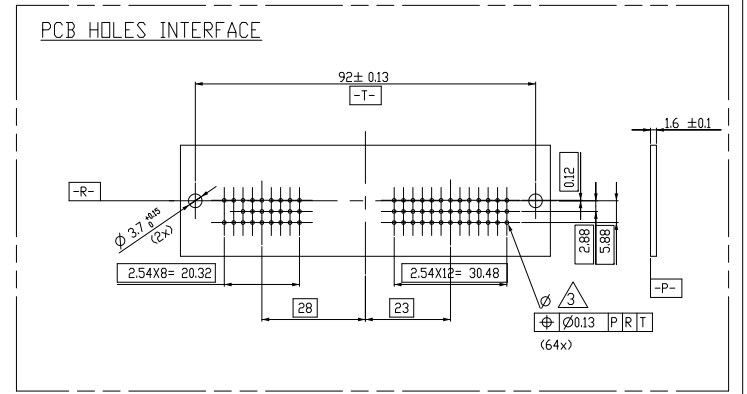
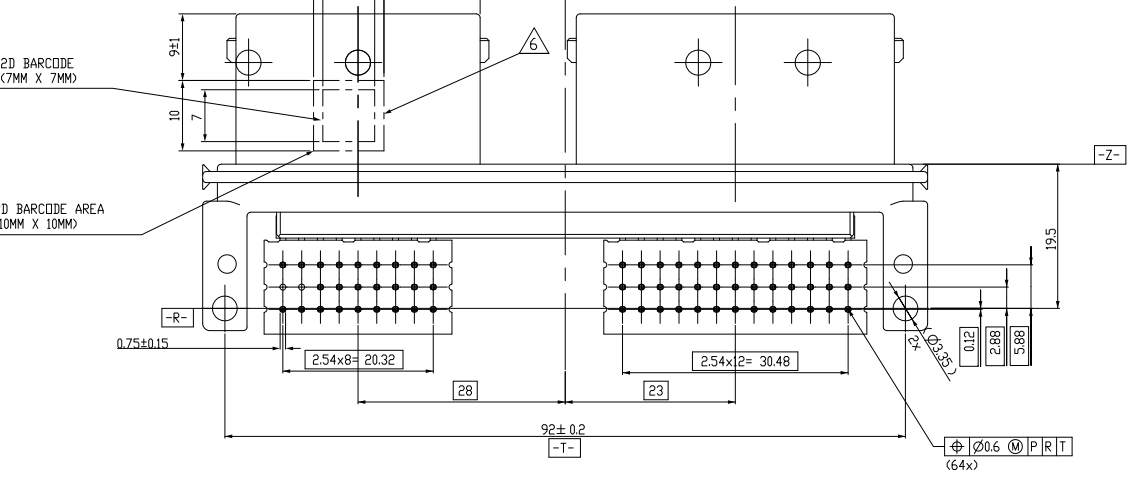
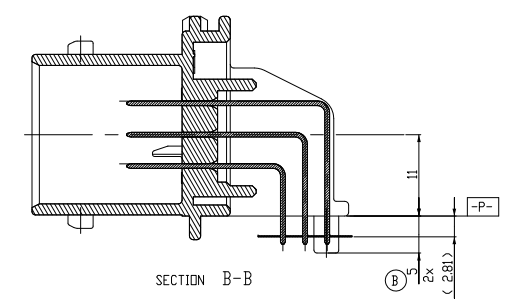
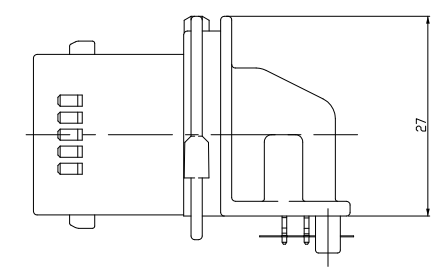
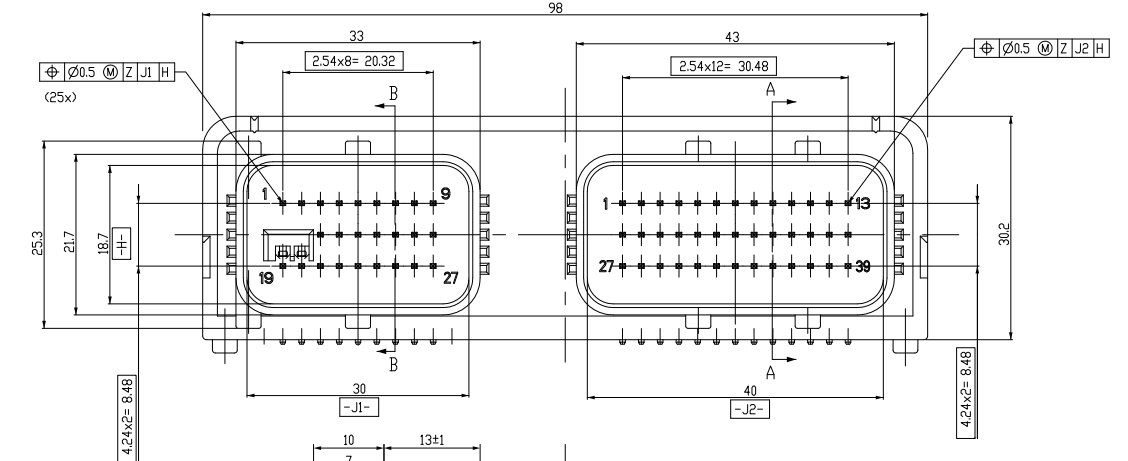
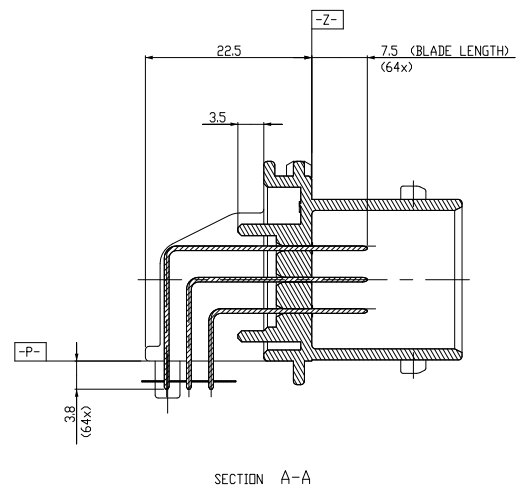
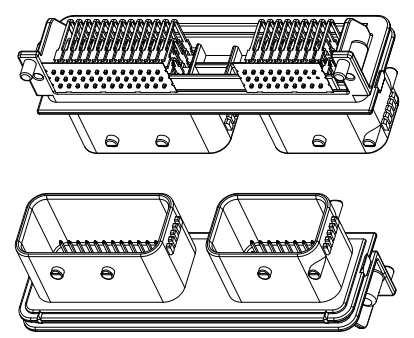
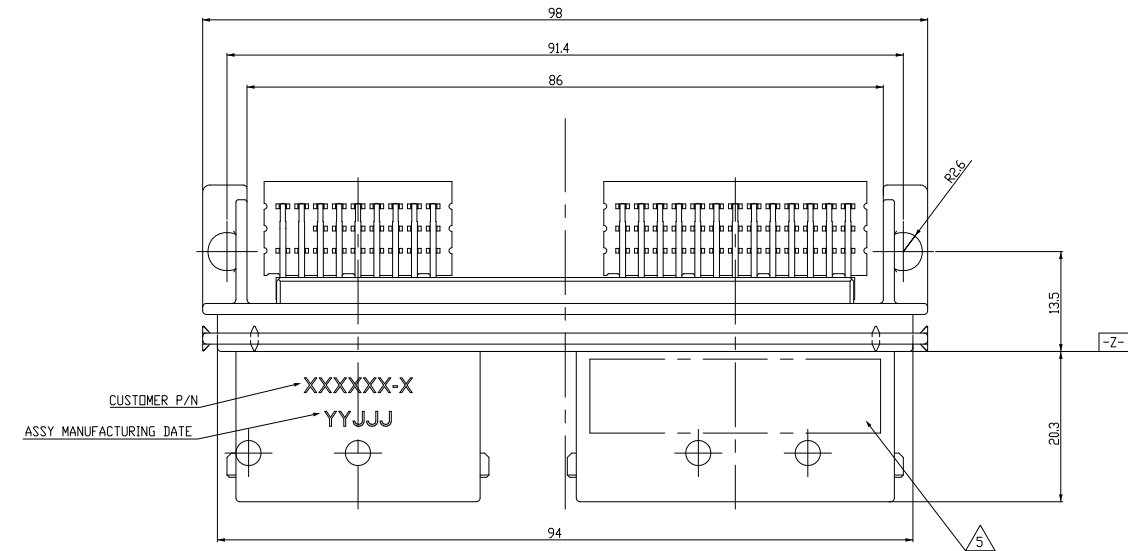


LOC		DIST		REVISIONS				
DS		P	LTR	DESCRIPTION	DATE	BY	APV/D	
		A		RELEASED	26 MAY 14	YH	HG	



NOTE
 1. MATERIAL :
 HOUSING : PBT/ASA-GF20
 COLOR : VARIOUS
 PIN ALIGNMENT STRIP : PET (POLYESTER).
 THICKNESS : 0.127mm.
 COLOR : CLEAR.
 PIN CONTACTS :
 MATERIAL : CuNiSi
 THICKNESS : 0.64mm
 PLATING : 0.00076 THICK GOLD IN MATING AREA, 0.00015 MIN THICK TIN
 ON COMPLIANT END, ALL OVER 0.0013 MIN THICK NICKEL.
 2. GENERAL TOLERANCE : ±0.5 ±3°
 3. PCB HOLES DIAMETER AND FINISHING ACCORDING
 TO TE SPECIFICATION 108-90800
 4. 0.25 MAX. WARPAGE ARE PERMISSIBLE
 (PLASTIC PORTION OF CONNECTOR)
 5. 1D BARCODE LOCATED IN APPROXIMATE AREA SHOWN ON ASSEMBLY. (IF REQUIRED)
 6. 2D BARCODE (IF REQUIRED)

DIMENSIONS MM		TOLERANCES UNLESS OTHERWISE SPECIFIED		DWG YH KIM CHK KT LIM APV/D HG CHD PRODUCT SPEC APPLICATION SPEC WEIGHT CUSTOMER DRAWING		NAME ACU SLD 66P HDR ASSY		RESTRICTED TO	
MATERIAL		FINISH		SCALE 2:1		SIZE 11		SHEET 1 OF 1	
0 PLC ±		1 PLC ±		2 PLC ±		3 PLC ±		4 PLC ±	
ANGLES		±		CAGE CODE 00779		DRAWING NO 2109430		REV A	