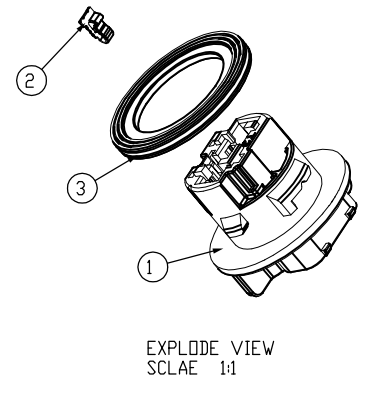
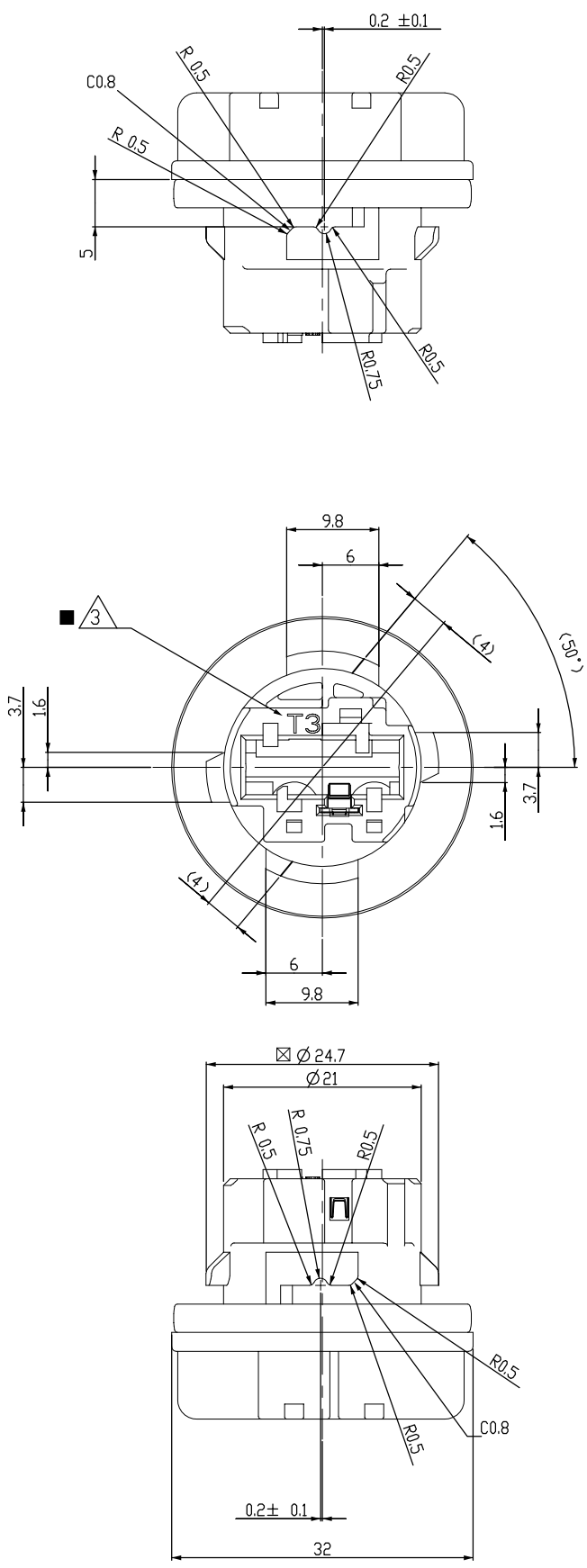


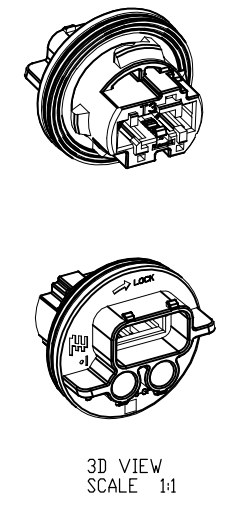
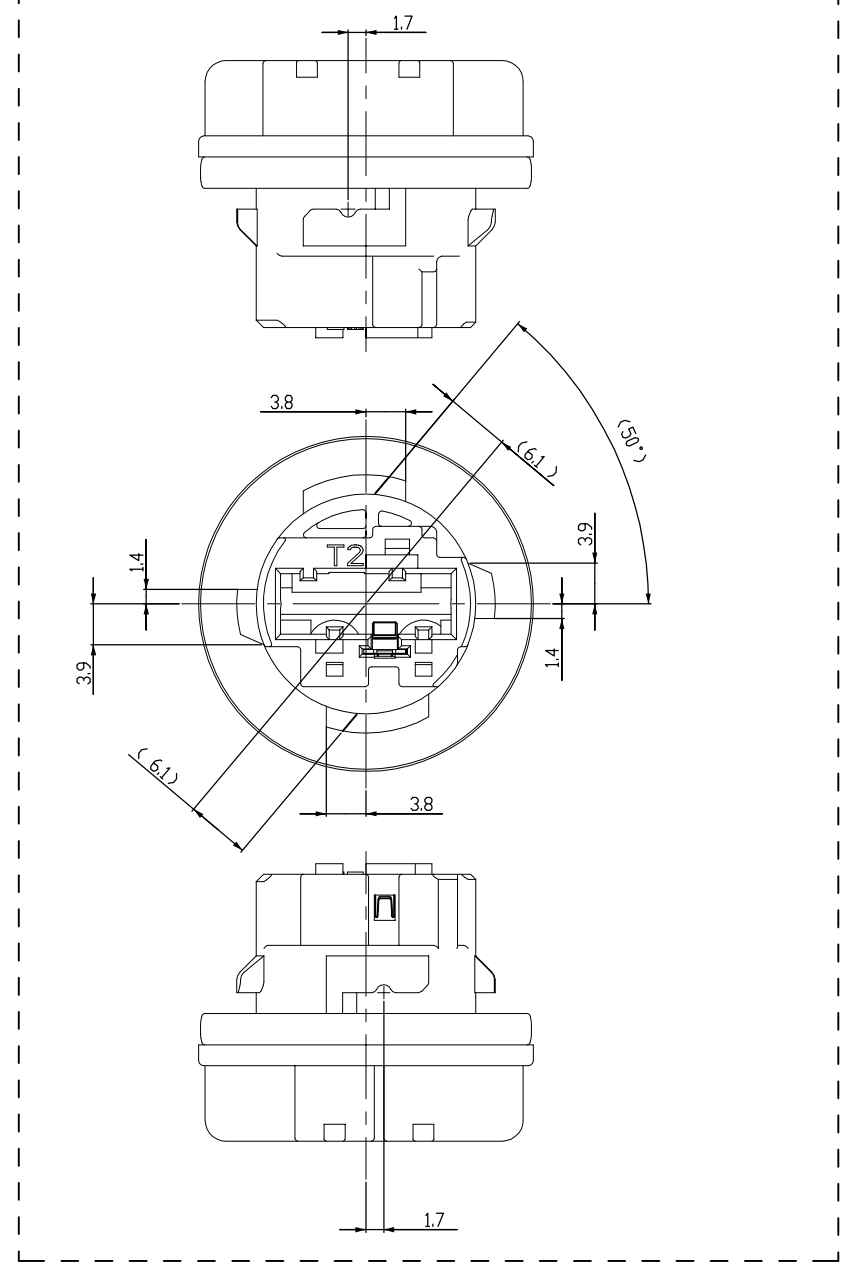
THIS DRAWING IS UNPUBLISHED. RELEASED FOR PUBLICATION
 © COPYRIGHT copyright_date BY TE CONNECTIVITY CORPORATION. ALL INTERNATIONAL RIGHTS RESERVED.

LOC	DIST	REVISIONS					
		P	LTR	DESCRIPTION	DATE	DWN	APVD
DS	-	B1		REVISED (ECR-14-001923)	10.FEB'14	YH	HG
		B2		REVISED (ECR-15-005463)	09.FEB'15	YH	HG

T3 TYPE: AMBER SINGLE



T2 TYPE: CLEAR DOUBLE



NOTE
 1. GENERAL TOLERANCE: ±0.5, ±3°
 2. THIS BULB HOLDER ASSY IS USED WITH:
 POSITIVE TML TE P/N 2005163-1/2
 Ⓜ GROUND TML TE P/N 2005164-1
 EXTENSION HSG TE P/N 2109120, 2109938

NO	SOCKET HOLE TYPE	COLOR	MATERIAL	DESCRIPTION	Q'TY
3	-	GREY	SILICONE	O-RING	1 1 1 1
2	-	-	SUS301	LOCK PLATE	1 1 1 1
1	T2	BLACK	PA46-GF15	BULB HSG(CLEAR DOUBLE)	1 - - -
		NATURAL	PA46-GF15	BULB HSG(CLEAR DOUBLE)	- 1 - -
1	T3	BLACK	PA46-GF15	BULB HSG(AMBER SINGLE)	- - 1 -
		NATURAL	PA46-GF15	BULB HSG(AMBER SINGLE)	- - - 1

THIS DRAWING IS A CONTROLLED DOCUMENT FOR TE CONNECTIVITY CORPORATION. IT IS SUBJECT TO CHANGE AND THE CONTROL LINE ENGINEERING ORGANIZATION SHOULD BE CONTACTED FOR THE LATEST REVISION.

DWN: YH KIM
 CHK: KT LIM
 APVD: HG CHO
 PRODUCT SPEC: -
 APPLICATION SPEC: -
 WEIGHT: -

TE TE Connectivity

BULB ASS'Y FOR T20 (31MM EXTENSION TYPE)

SIZE: A2 CAGE CODE: 00779 DRAWING NO: C=2109118 RESTRICTED TO: -

CUSTOMER DRAWING SCALE: 2:1 SHEET 1 OF 2 REV: B2

control priority dimension ;
 ■ CRITICAL, ☒ MAJOR, □ MINOR

THIS DRAWING IS UNPUBLISHED.

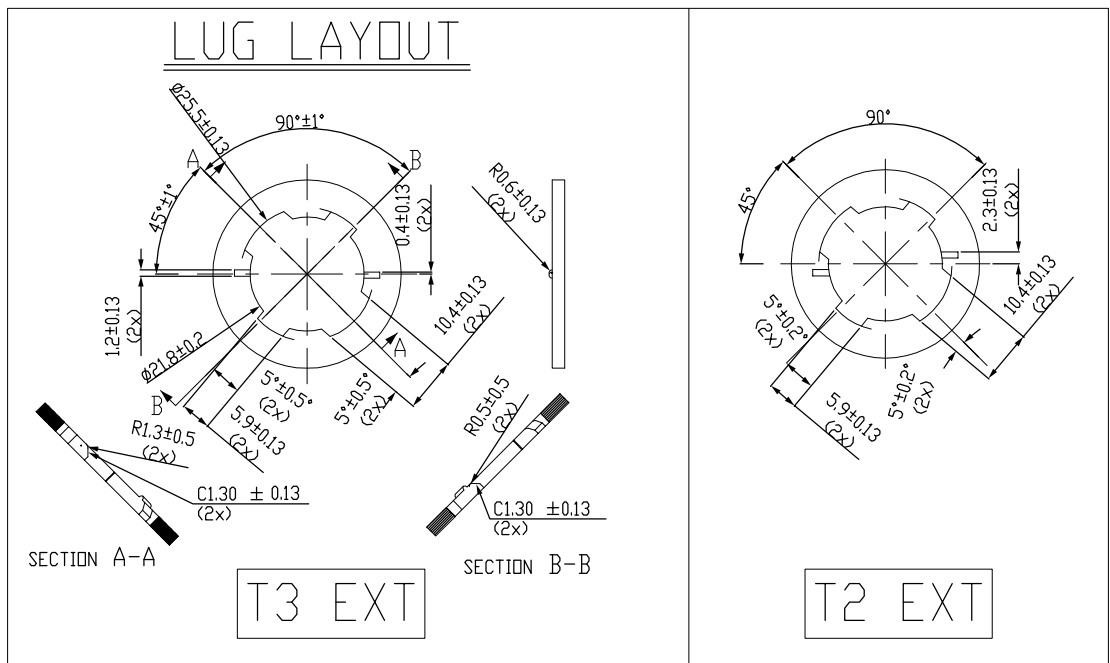
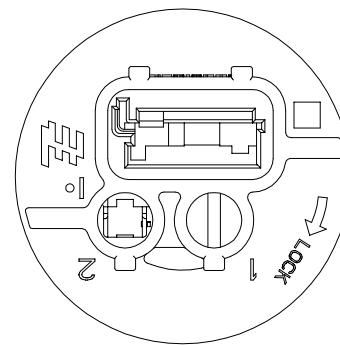
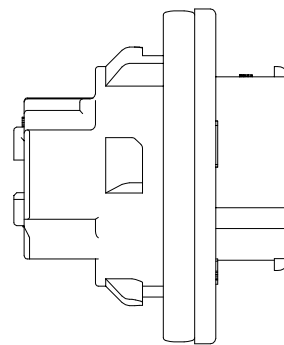
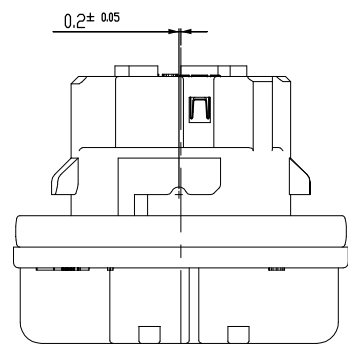
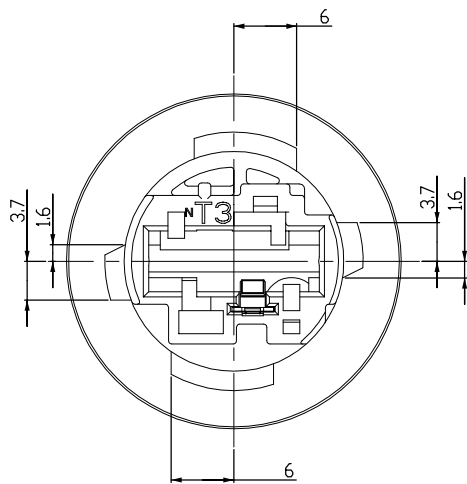
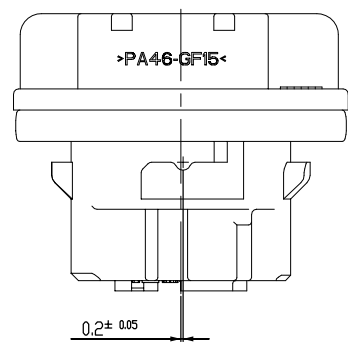
RELEASED FOR PUBLICATION

ALL RIGHTS RESERVED.

© COPYRIGHT

LOC		DIST		REVISIONS			
P	LTR	DESCRIPTION	DATE	DWN	APVD		

(B) NEW T3 EXT



NOTE
1. MISSING DIMENSION : SEE 0-2109118-X

P/N	(B)
6-2109118-3	BULB ASSY(AMBER SINGLE)-GREY
6-2109118-2	BULB ASSY(AMBER SINGLE)-BLACK
6-2109118-1	BULB ASSY(AMBER SINGLE)-NATURAL

NO	SOCKET HOLE TYPE	COLOR	MATERIAL	DESCRIPTION	Q'TY
3	-	GREY	SILICONE	O-RING	1 1 1
2	-	-	SUS301	LOCK PLATE	1 1 1
1	-	(B) GREY	PA46-GF15	BULB HSG(AMBER SINGLE)	1 - -
1	NEW T3	BLACK	PA46-GF15	BULB HSG(AMBER SINGLE)	- 1 -
1	-	NATURAL	PA46-GF15	BULB HSG(AMBER SINGLE)	- - 1

(B)

THIS DRAWING IS A CONTROLLED DOCUMENT.		DWN	-			
DIMENSIONS: 0 PLC ±, 1 PLC ±, 2 PLC ±, 3 PLC ±, 4 PLC ±, ANGLES ±, FINISH		CHK	-			NAME BULB HOLDER ASS'Y FOR T-20 (31MM EXTENSION TYPE)
		APVD	-			
		PRODUCT SPEC	-			
		APPLICATION SPEC	-			
MATERIAL		WEIGHT	-	SIZE	A2	
				CAGE CODE	00779	
				DRAWING NO	C=2109118	
				RESTRICTED TO	-	
				SCALE	2:1	
				SHEET	2 OF 2	
				REV	B2	