

4

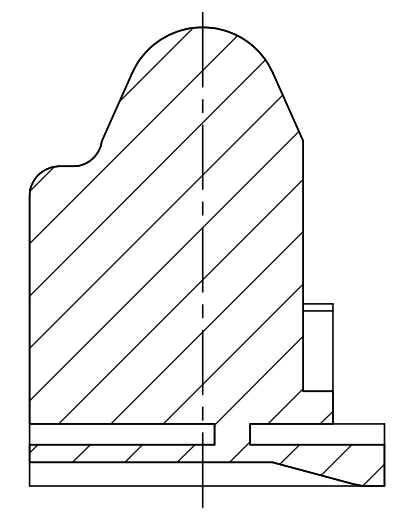
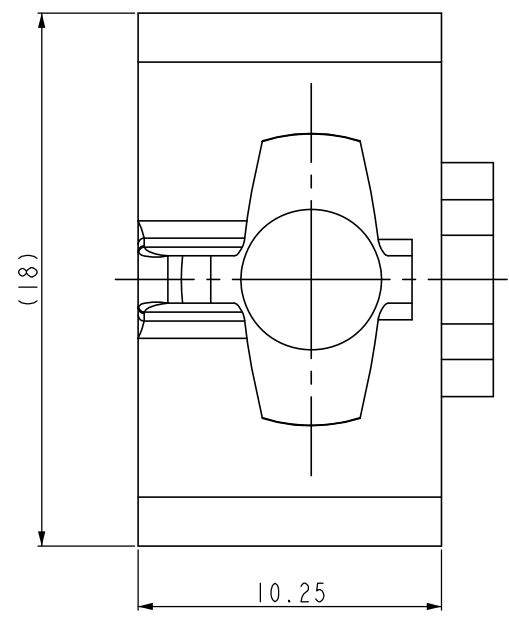
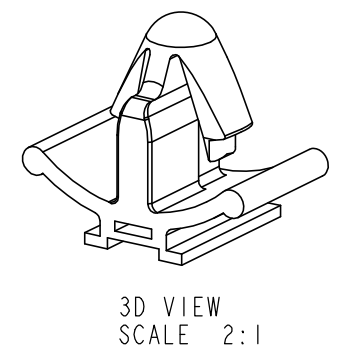
3

2

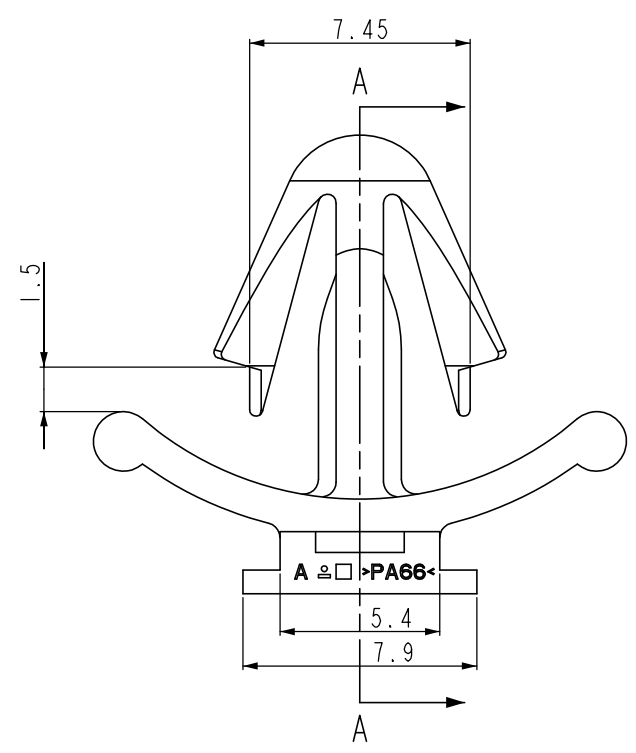
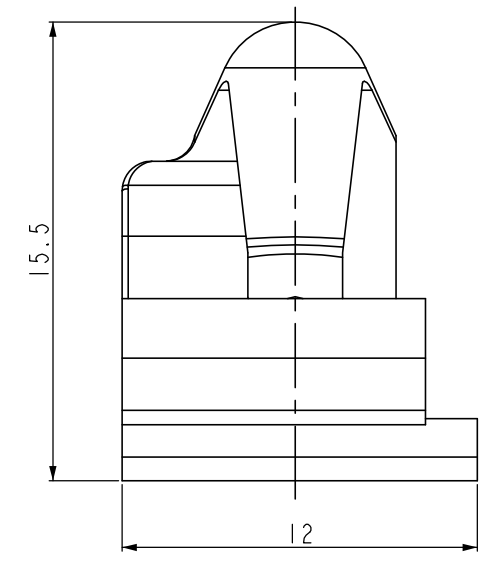
1

THIS DRAWING IS UNPUBLISHED. RELEASED FOR PUBLICATION
 © COPYRIGHT 19 BY TYCO ELECTRONICS CORPORATION. ALL INTERNATIONAL RIGHTS RESERVED.

LOC	DIST	REVISIONS			
P	LTR	DESCRIPTION	DATE	DWN	APVD
DS	-				
	A	RELEASED	21.OCT.'10	KT	HG

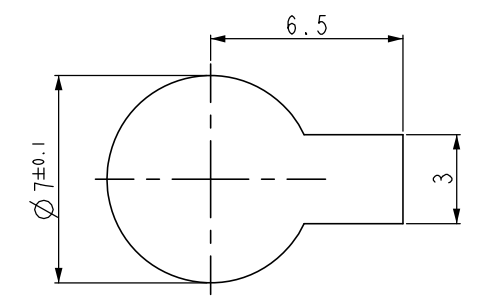


SECTION A-A



NOTE

1. GENERAL TOLERANCE: ± 0.3 , $\pm 3^\circ$
2. WARPAGE 0.3 MAX, FLASH 0.3 MAX
3. APPLICABLE CONNECTOR P/N: 284869-3
4. APPLICABLE PANEL THICKNESS: 2.0~2.5T
5. APPLICABLE PANEL HOLE SIZE;



BLACK	PA66	MQS CLIP	2109036-2
COLOR	MATERIAL	DESCRIPTION	P/N

<small>THIS DRAWING IS A CONTROLLED DOCUMENT FOR TYCO ELECTRONICS CORPORATION IT IS SUBJECT TO CHANGE AND THE CONTROLLING ENGINEERING ORGANIZATION SHOULD BE CONTACTED FOR THE LATEST REVISION.</small>		DWN KT JUNG CHK KT LIM APVD HG CHO PRODUCT SPEC - APPLICATION SPEC - WEIGHT -		Tyco Electronics Tyco Electronics Kyungsan, Korea	
DIMENSIONS: mm 		TOLERANCES UNLESS OTHERWISE SPECIFIED: 0 PLC ± 1 PLC ± 2 PLC ± 3 PLC ± 4 PLC ± ANGLES ± FINISH -		NAME CLIP HSG FOR MQS 8P CONNECTOR	
MATERIAL -		SIZE A3		CAGE CODE 00779	
		DRAWING NO C-2109036		RESTRICTED TO -	
		CUSTOMER DRAWING		SCALE 7:1 SHEET 1 OF 1 REV A	