

THIS DRAWING IS UNPUBLISHED.

RELEASED FOR PUBLICATION

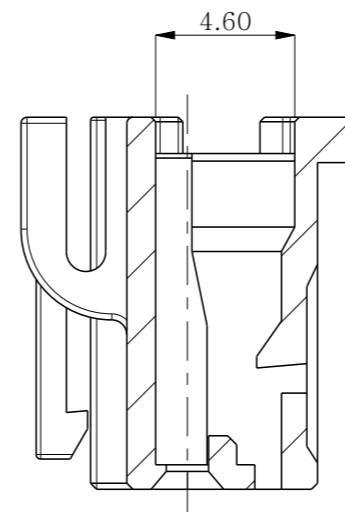
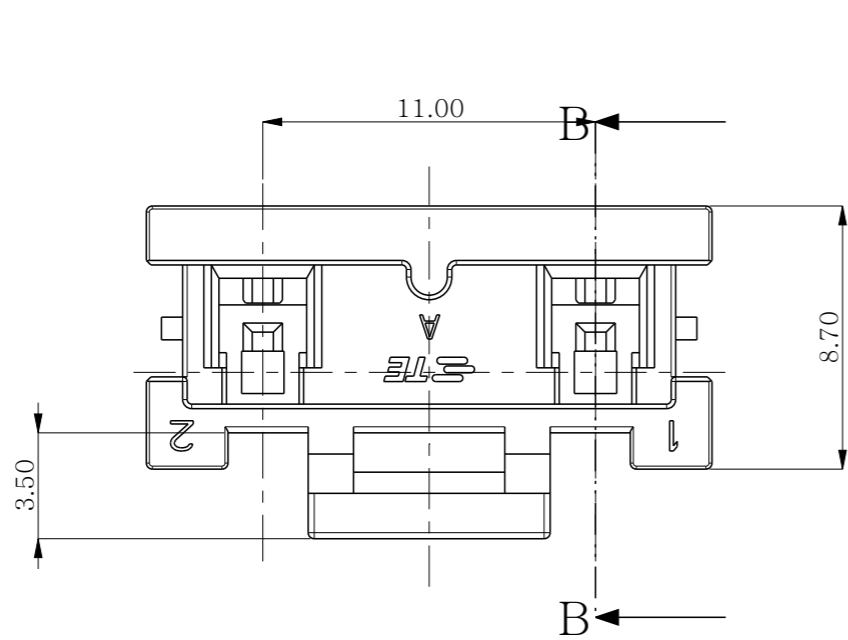
20

© COPYRIGHTED BY -

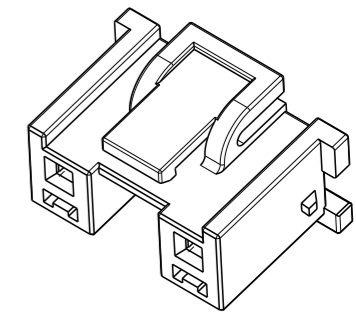
ALL RIGHTS RESERVED.

REVISIONS

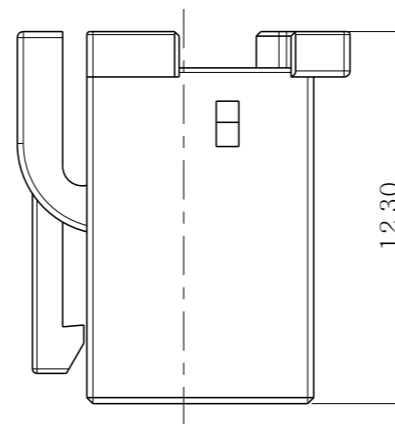
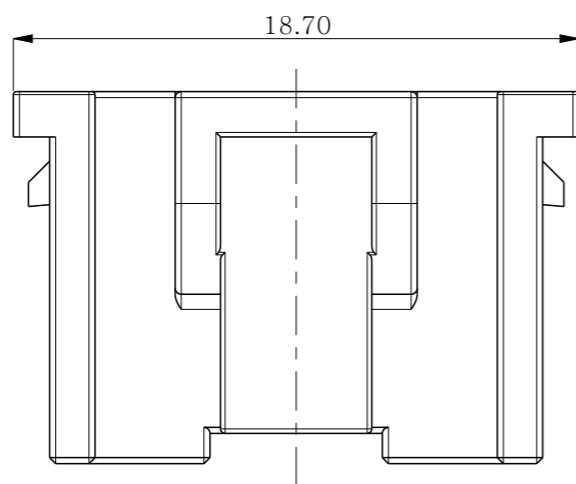
P	LTR	DESCRIPTION	DATE	DWN	APVD
	A	RELEASED	21AUG2014	BH	BW



SECTION B-B



SCALE 2:1



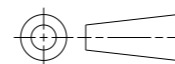
NOTE.
1. GENERAL TOLERANCE: ±0.3

YELLOW	PET/PC	2108742-4
NATURAL		2108742-1
COLOR	MATERIAL	P/N

THIS DRAWING IS A CONTROLLED DOCUMENT

DIMENSIONS:

mm



MATERIAL
SEE TABLE

TOLERANCES UNLESS OTHERWISE SPECIFIED:

- 0 PLC ±-
- 1 PLC ±-
- 2 PLC ±-
- 3 PLC ±--
- 4 PLC ±-
- ANGLES ±-
- FINISH -

DWN
BH CHO

CHK

APVD
BW KANG

PRODUCT SPEC

108-61208

APPLICATION SPEC

114-61072

WEIGHT

-

CUSTOMER DRAWING



TE Connectivity

NAME

LOW PROFILE POWER 2P PLUG

SIZE

A3

CAGE CODE

-

DRAWING NO

C-2108742

RESTRICTED TO

-

SCALE
4:1

SHEET 1 OF 1

REV
A