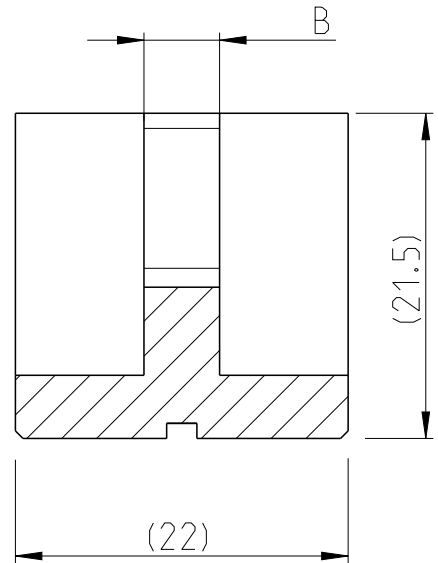
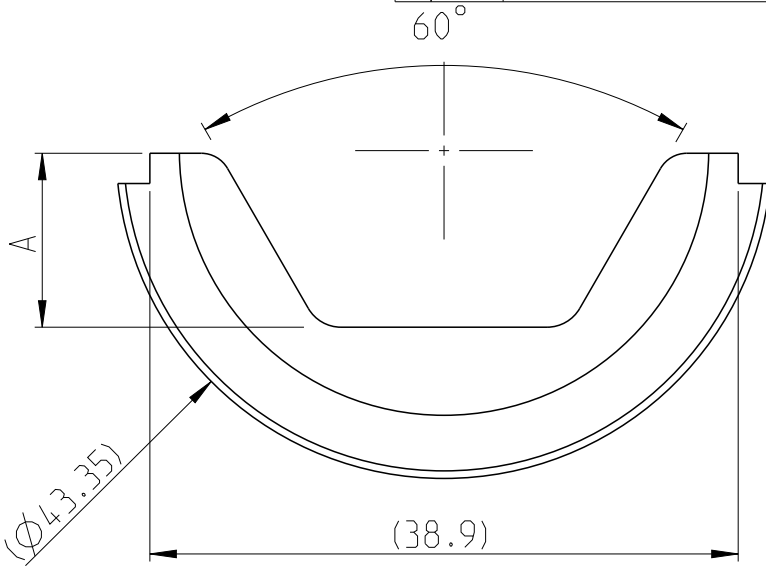


REVISIONS					
P	LTR	DESCRIPTION	DATE	DWN	APVD
	A	NEW DRAWING	10MAR2020	NB	JL



5	13.5	6E 400 CU	2107738-1
5	11.5	6E 300 CU	2107737-1
5	10.75	6E 240 CU	1667711-1
5	9.5	6E 185 CU	1667710-1
5	8.65	6E 150 CU	1667709-1
5	8.0	6E 120 CU	1667708-1
5	7.0	6E 95 CU	1667707-1
5	6.0	6E 70 CU	1667706-1
5	5.0	6E 50 CU	1667705-1
5	4.45	6E 35 CU	1667704-1
5	3.85	6E 25 CU	1667703-1
9	3.3	6E 16 CU	1667702-1
9	2.9	6E 10 CU	1667701-1
9	2.2	6E 06 CU	1667700-1
9	2.0	6E 04 CU	2107766-1
B	A	DESCRIPTION	PART NUMBER

© 2020 TE Connectivity. All Rights Reserved.

NOTES

1. TOLERANCES ACCORDING TO ISO-2769-mk
2. CRIMPING DIE ASSEMBLY IS MADE OF 02 DIES.

DIMENSIONS: mm TOLERANCES UNLESS OTHERWISE SPECIFIED: 0 PLC ± 1 PLC ± 2 PLC ± 3 PLC ± 4 PLC ± ANGLES ± 	DWN N.BASAVARAJ 10MAR2020	MATERIAL PROTECTED STEEL	FINISH			
	CHK L.JONATHAN 10MAR2020	TE Connectivity				
	APVD N.ALMEIDA 10MAR2020					
	PRODUCT SPEC	NAME 6E....CU	SIZE A 4	CAGE CODE 00779	DRAWING NO C-2107737	RESTRICTED TO
APPLICATION SPEC	WEIGHT	CUSTOMER DRAWING		SCALE 2:1	SHEET 1 OF 1	REV A