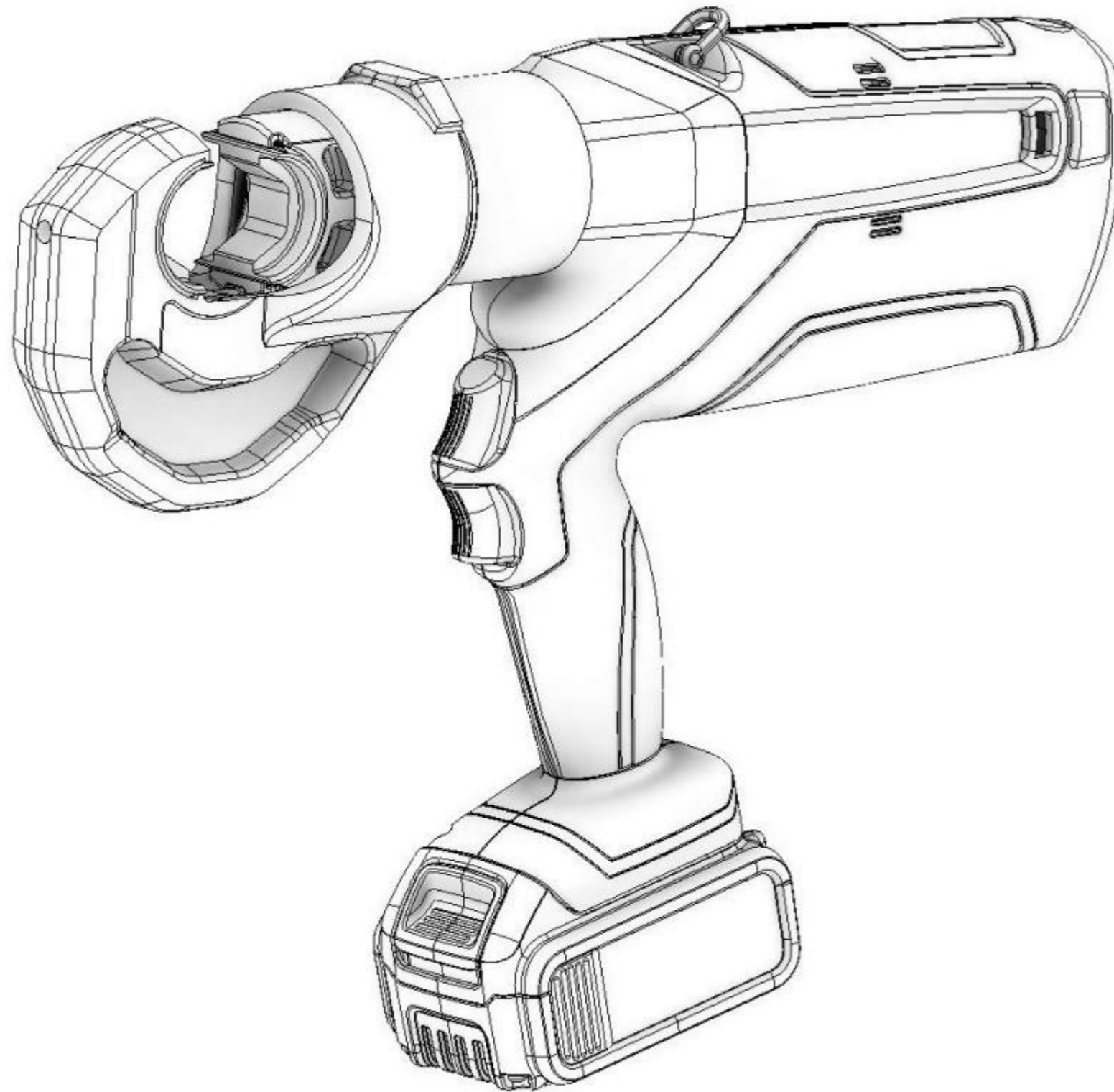


REVISIONS

P	LTR	DESCRIPTION	DATE	DWN	APVD
	A	NEW DRAWING	02MAR2021	RS	NA




NOTES:

- 1. CASE AND CHARGER SUPPLIED WITH THE TOOL
FOR 2107733-1: 220V CHARGER
FOR 2107733-4: 110V CHARGER

Force	130kN
Stroke	26mm
Battery	18V Li-ion
Motor	18V
Dimensions (with battery)	400x310x75mm
Weight (with battery)	6,500kg
Hexagonal crimping	10 to 300mm ²
Acoustic power level LwA	75 dB(A)
The effective weighted acceleration	does not exceed 2.5m/s ²
Crimping die reference	12SE

2107733-4
2107733-1
PART NO.

THIS DRAWING IS A CONTROLLED DOCUMENT.		DWN RAVI.S 02MAR2021	 TE Connectivity													
DIMENSIONS: mm		CHK J.LARDEAU 02MAR2021														
TOLERANCES UNLESS OTHERWISE SPECIFIED:		APVD N.ALMEIDA 02MAR2021	NAME AUTOPRESS C120													
<table border="0"> <tr> <td>0 PLC</td> <td>±-</td> </tr> <tr> <td>1 PLC</td> <td>±-</td> </tr> <tr> <td>2 PLC</td> <td>±-</td> </tr> <tr> <td>3 PLC</td> <td>±-</td> </tr> <tr> <td>4 PLC</td> <td>±-</td> </tr> <tr> <td>ANGLES</td> <td>±-</td> </tr> </table>		0 PLC	±-	1 PLC	±-	2 PLC	±-	3 PLC	±-	4 PLC	±-	ANGLES	±-	PRODUCT SPEC -	RESTRICTED TO -	
0 PLC	±-															
1 PLC	±-															
2 PLC	±-															
3 PLC	±-															
4 PLC	±-															
ANGLES	±-															
MATERIAL -		FINISH -	APPLICATION SPEC -	SIZE A3												
		WEIGHT -	CAGE CODE 00779	DRAWING NO C-2107733												
CUSTOMER DRAWING			SCALE NTS	SHEET 1 OF 1												
			REV A													