

THIS DRAWING IS UNPUBLISHED.  
DIFFUSION RESTREINTE

RELEASED FOR PUBLICATION  
LIBRE A LA DIFFUSION

20

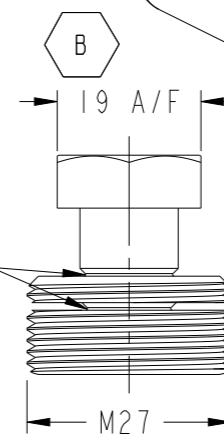
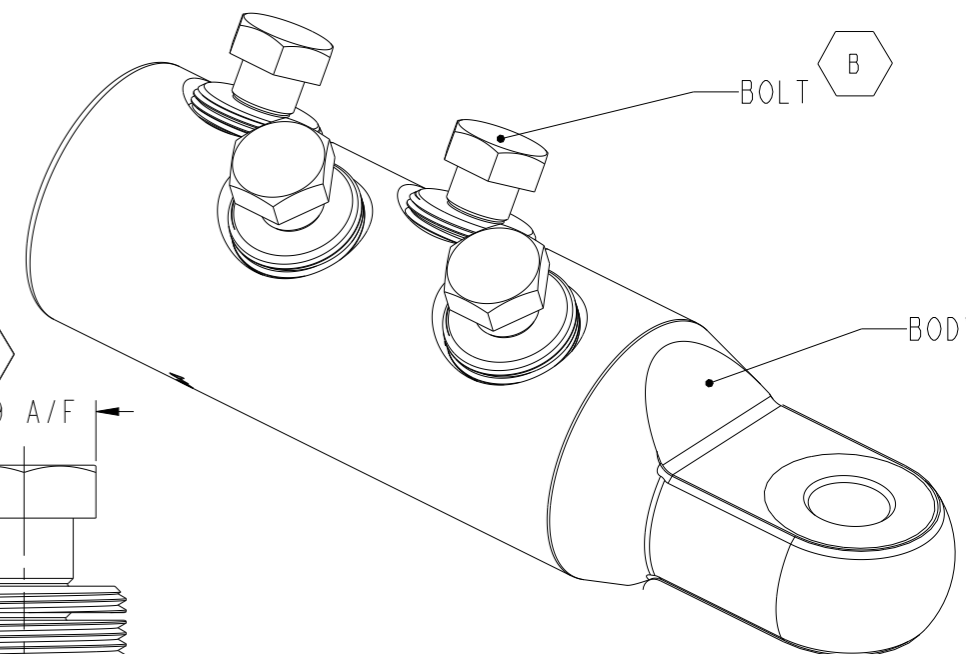
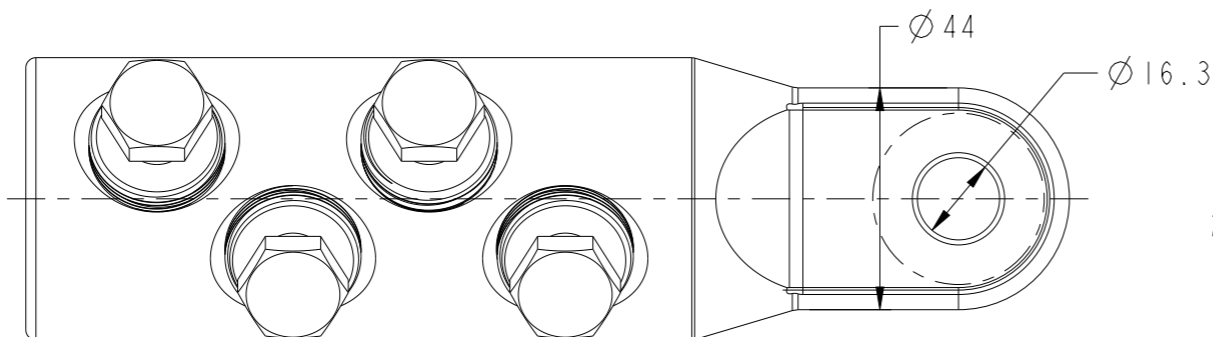
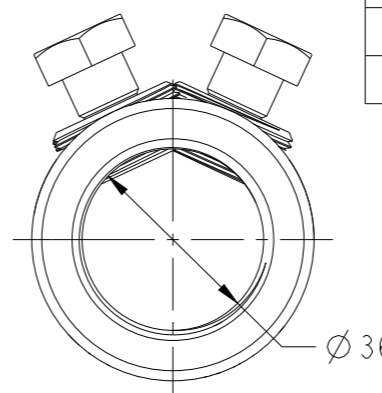
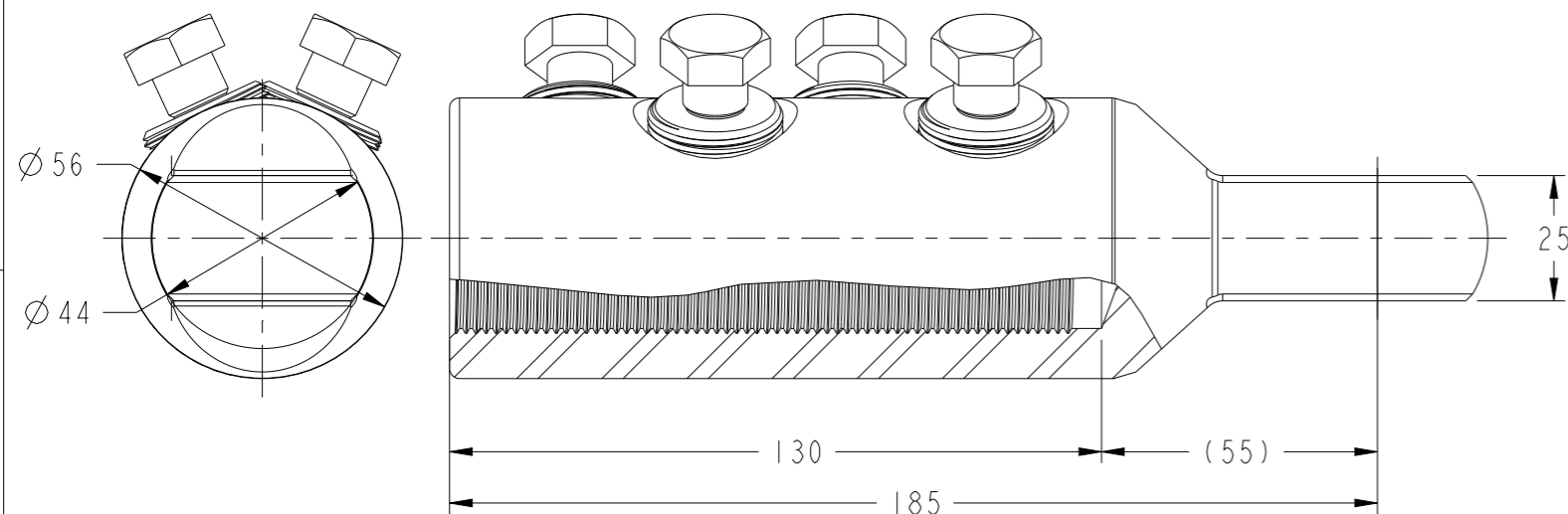
© COPYRIGHT 20 BY -

ALL RIGHTS RESERVED.  
TOUS DROITS RESERVES

LOC DIST  
FH 2

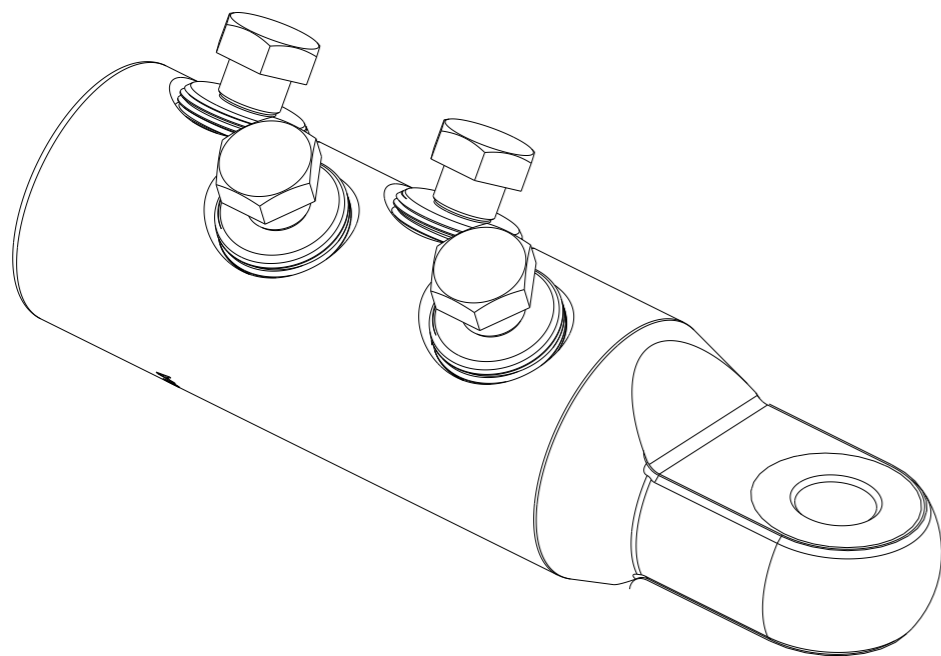
REVISIONS

P	LTR REV	DESCRIPTION MODIFICATIONS	DATE	DWN DESS.	APVD APP.
	I	CREATION	07MAY2009	BM	NA
	A	DRAWING DIFFUSION	15APR2011	BM	NA
	B	ECR-21-116618	09SEP2021	RK	BM





BLMC-800-16-1250A	2107030-1	CRI099-000
DESCRIPTION	PART NUMBER	RPN

	AL				CU	
	ROUND STRANDED /Circ. câblé /RM	ROUND SOLID /Circ. massif /RE	SECTOR STRANDED /Sectoral câblé /SM	SECTOR SOLID /Sectoral massif /SE	ROUND STRANDED /Circ. câblé /RM	SECTOR STRANDED /Sectoral câblé /SM
CONDUCTOR CROSS-SECTION /Section conducteur /Querschnittsbereich mm <sup>2</sup>	800	800	-	-	800	-
CONDUCTOR DIAMETER /Diamètre conducteur /Leiterdurchmesser mm	Ø 32.5-Ø 35.3	Ø 30.9-Ø 32.1	-	-	Ø 32.5-Ø 35.3	-



TOLERANCES UNLESS OTHERWISE SPECIFIED: -  
TOLERANCES NON SPECIFIEES: -

THIS DRAWING IS A CONTROLLED DOCUMENT. CE PLAN EST UN DOCUMENT CONTROLE PAR TYCO ELECTRONICS CORPORATION IL EST SUSCEPTIBLE D'ETRE REVISE. POUR OBTENIR LA DERNIERE REVISION, CONTACTER LE SERVICE TECHNIQUE DE TYCO ELECTRONICS SIMEL SAS, 21220 GEVREY-CHAMBERTIN, FRANCE.		DWN /DESSINE B. MILLOT 07MAY2009	 <b>TE Connectivity</b>		NAME TITRE BLMC-800-16-1250A		
DIMENSIONS: mm		CHK /VERIFIE N. EVANS					
		TOLERANCES UNLESS OTHERWISE SPECIFIED: TOLERANCES NON SPECIFIEES (SUIV NB DE DECIMALES): 0 PLC /DEC: ±0 1 PLC /DEC: ±0 2 PLC /DEC: ±0 3 PLC /DEC: ±0 4 PLC /DEC: ±0 ANGLES ±		APVD /APPROUVE N. ALMEIDA	SIZE FORMAT A3		
MATERIAL MATIERE AL ALLOY		FINISH FINITION TINNED		PRODUCT SPEC SPEC. PRODUIT -	CAGE CODE -	DRAWING NO No PLAN C-2107030	RESTRICTED TO RESERVE A
		WEIGHT MASSE APPROX. 779 g		APPLICATION SPEC SPEC. APPLICATION -	UNIQUEMENT POUR REFERENCE	SCALE ECHELLE 2:3	SHEET FEUILLE 1 OF DE 1
		CUSTOMER DRAWING /PLAN CLIENT				REV B	