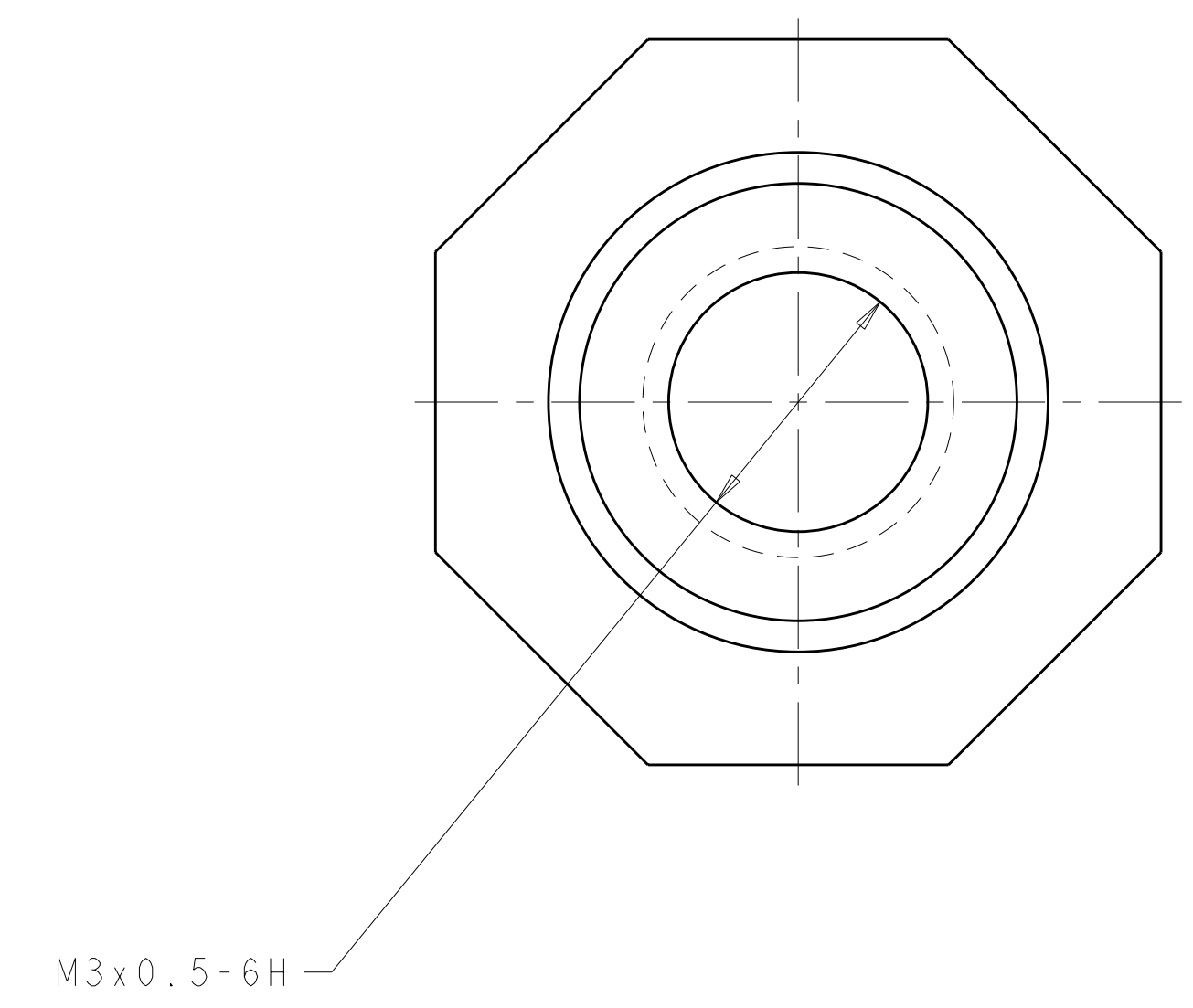
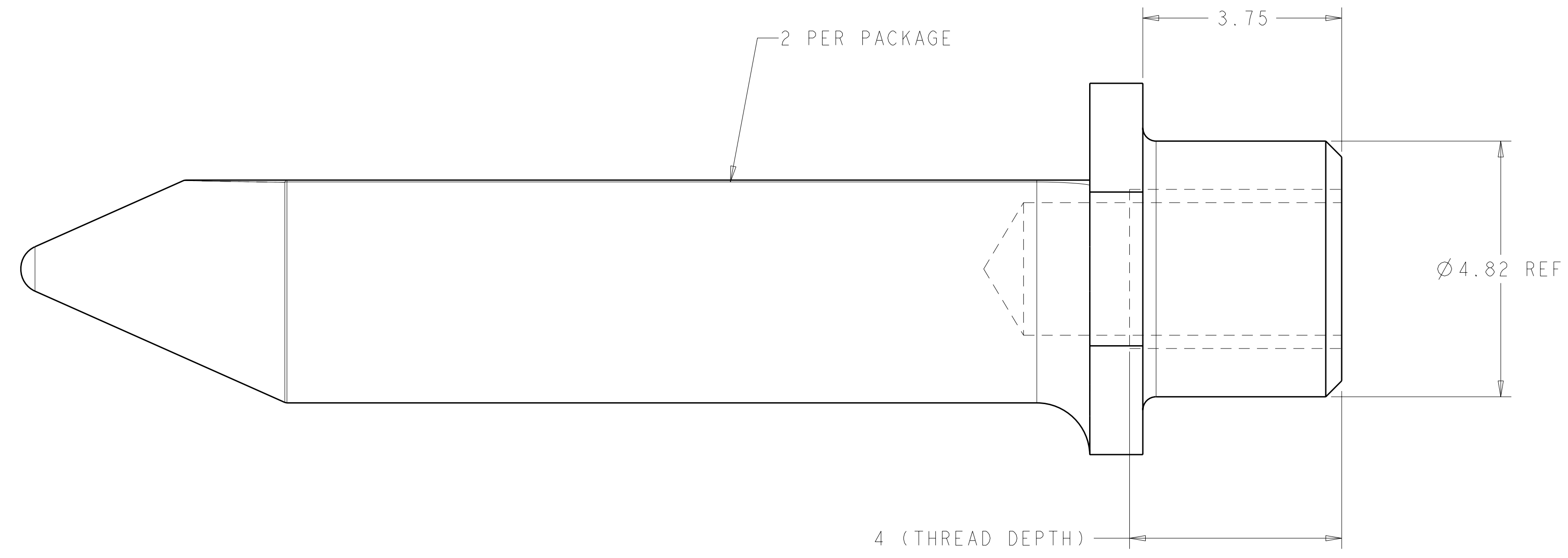
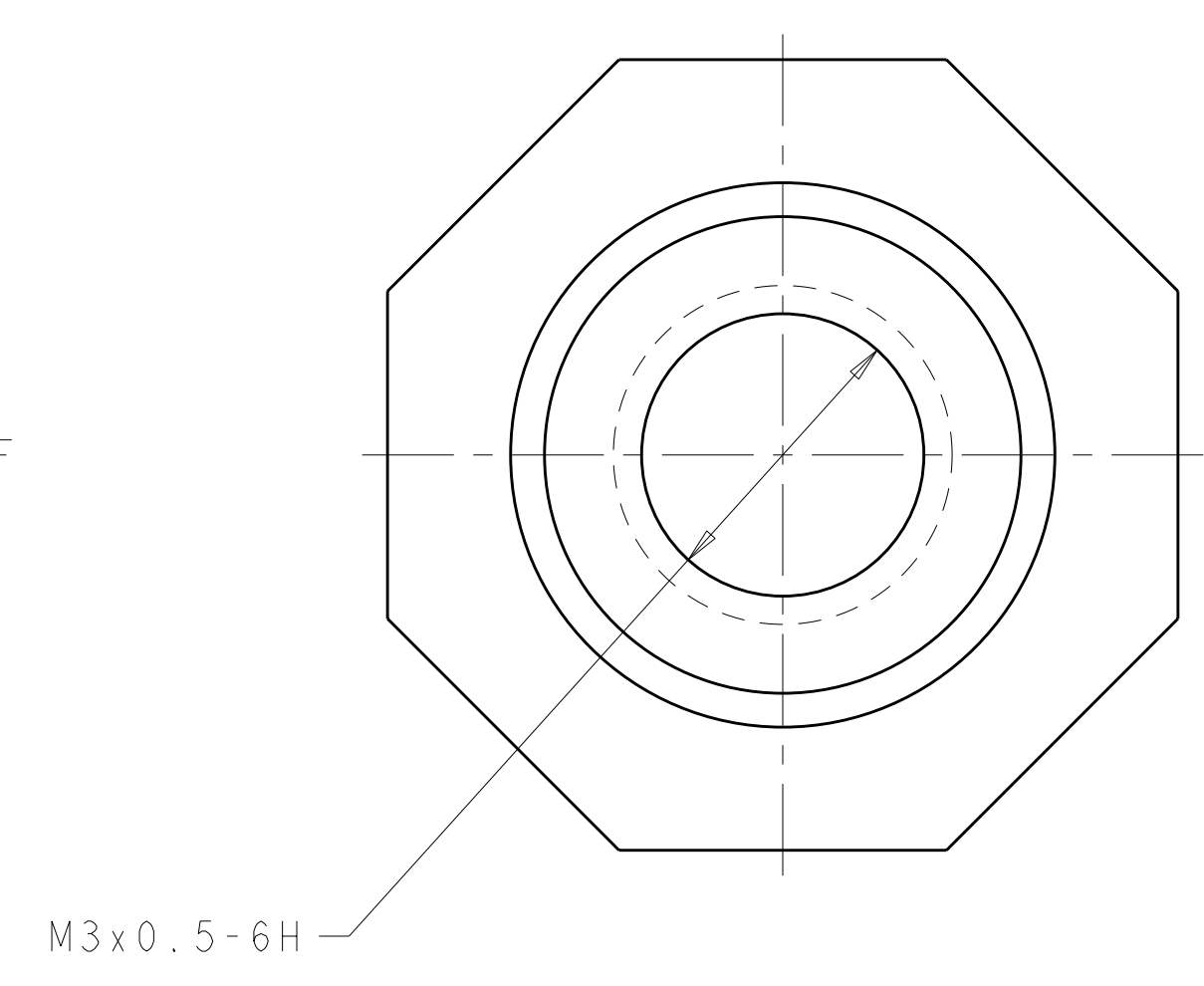
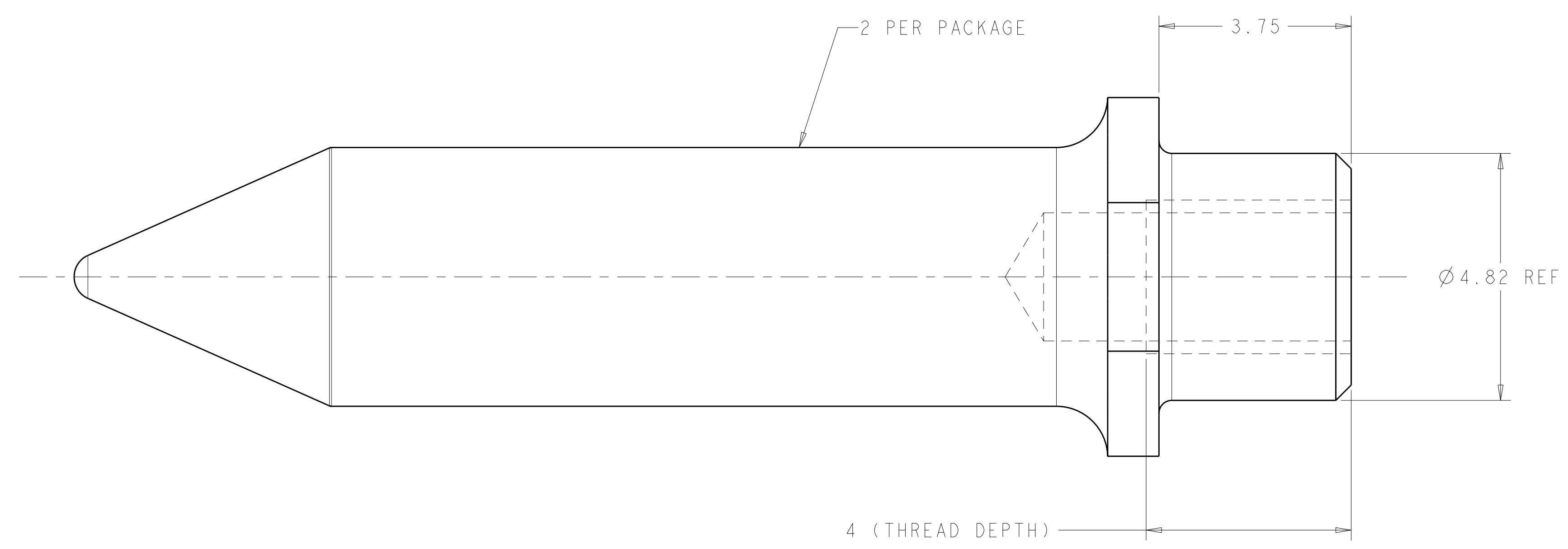


LOC	DIST	REV	DATE	BY	APPV
-	-	1	05OCT2011	DCB	K.T
-	-	2	14OCT2011	DCB	K.T
-	-	3	28OCT2011	DCB	K.T
-	-	4	9NOV2011	DCB	K.T
-	-	5	13DEC2011	DCB	K.T



## 2102784-1 (KEYED)



⚠ MATERIAL: STAINLESS STEEL  
 2. ITEMS ARE BULK PACKED.

NON-KEYED	2102784-2
KEYED	2102784-1
DESCRIPTION	PART NUMBER

## 2102784-2 (NON-KEYED)

THIS DRAWING IS A CONTROLLED DOCUMENT.		DWN: D. BELACK	05OCT2011
DIMENSIONS: mm		CHK: K. THACKSTON	
TOLERANCES UNLESS OTHERWISE SPECIFIED:		APV: M. MALONIS	
0 PLC	±	PRODUCT SPEC	
1 PLC	±0.13	APPLICATION SPEC	
2 PLC	±0.10	WEIGHT	
3 PLC	±	CUSTOMER DRAWING	
4 PLC	±		
ANGLES	±2°		
FINISH			

**STE** TE Connectivity

NAME: MOTHERBOARD KEYING HARDWARE KIT, Fortis Zd, METAL SHELL LRM

SIZE: A100779 C=2102784

SCALE: 15:1 SHEET: 1 OF 1 REV: 5