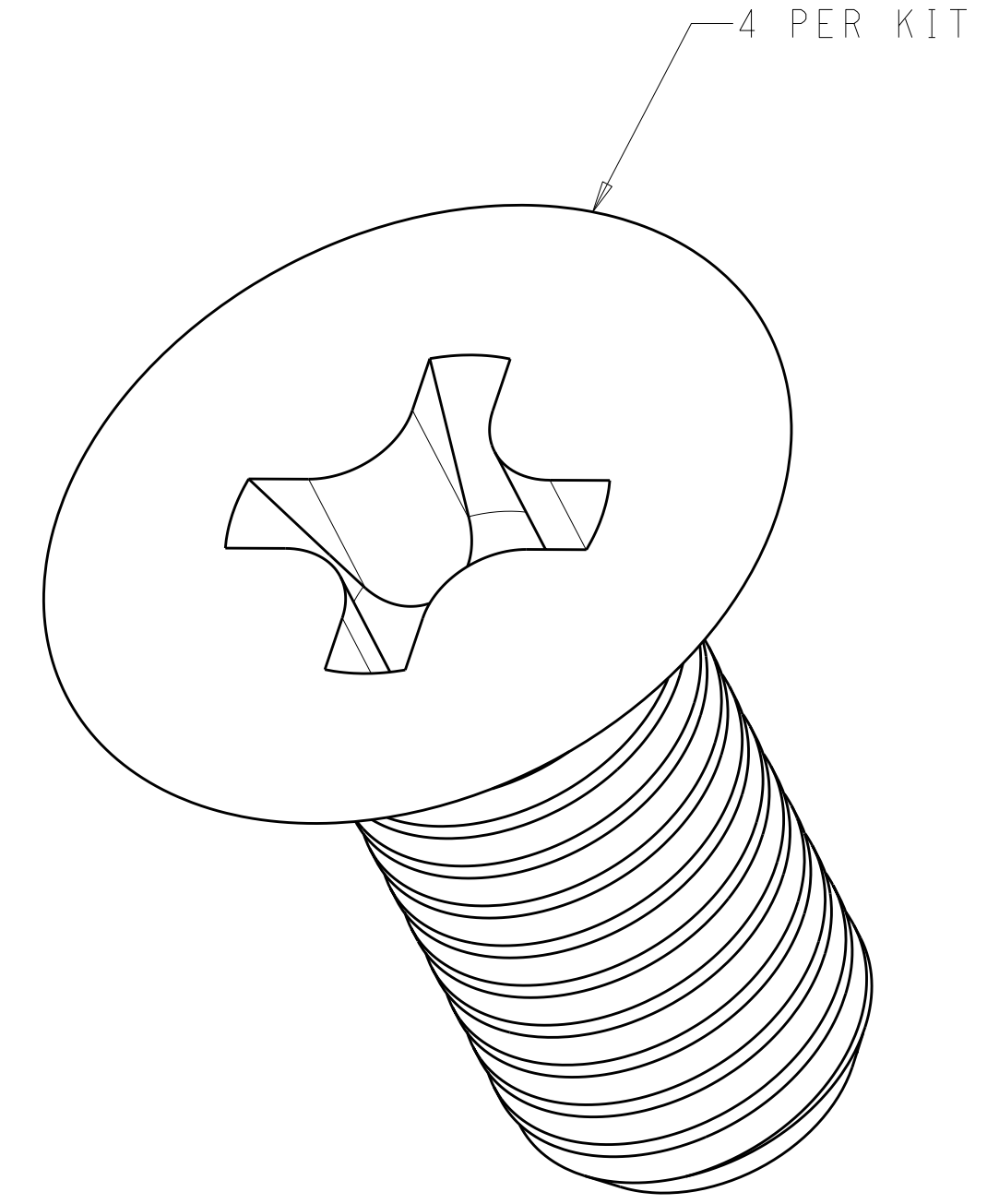
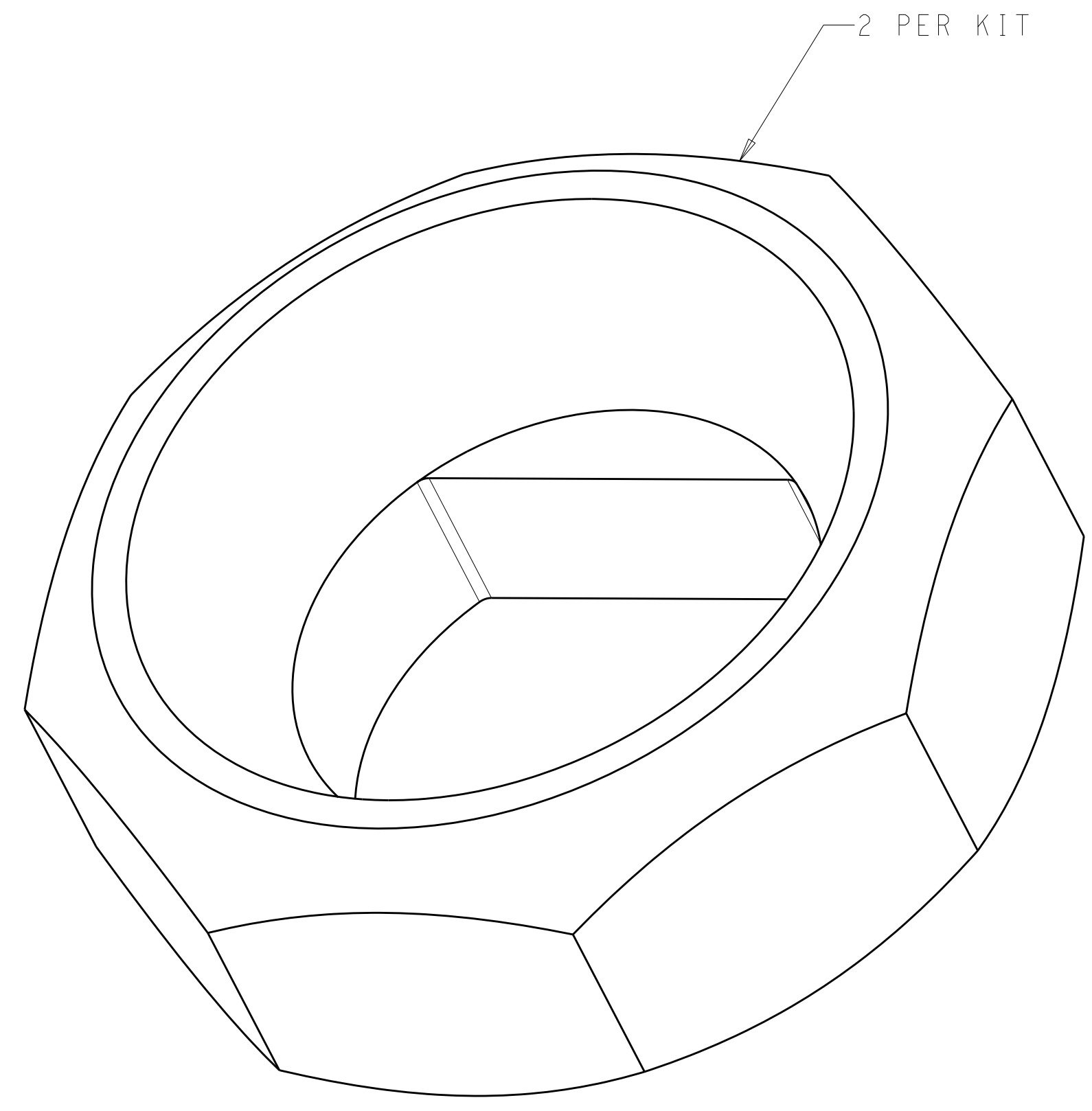
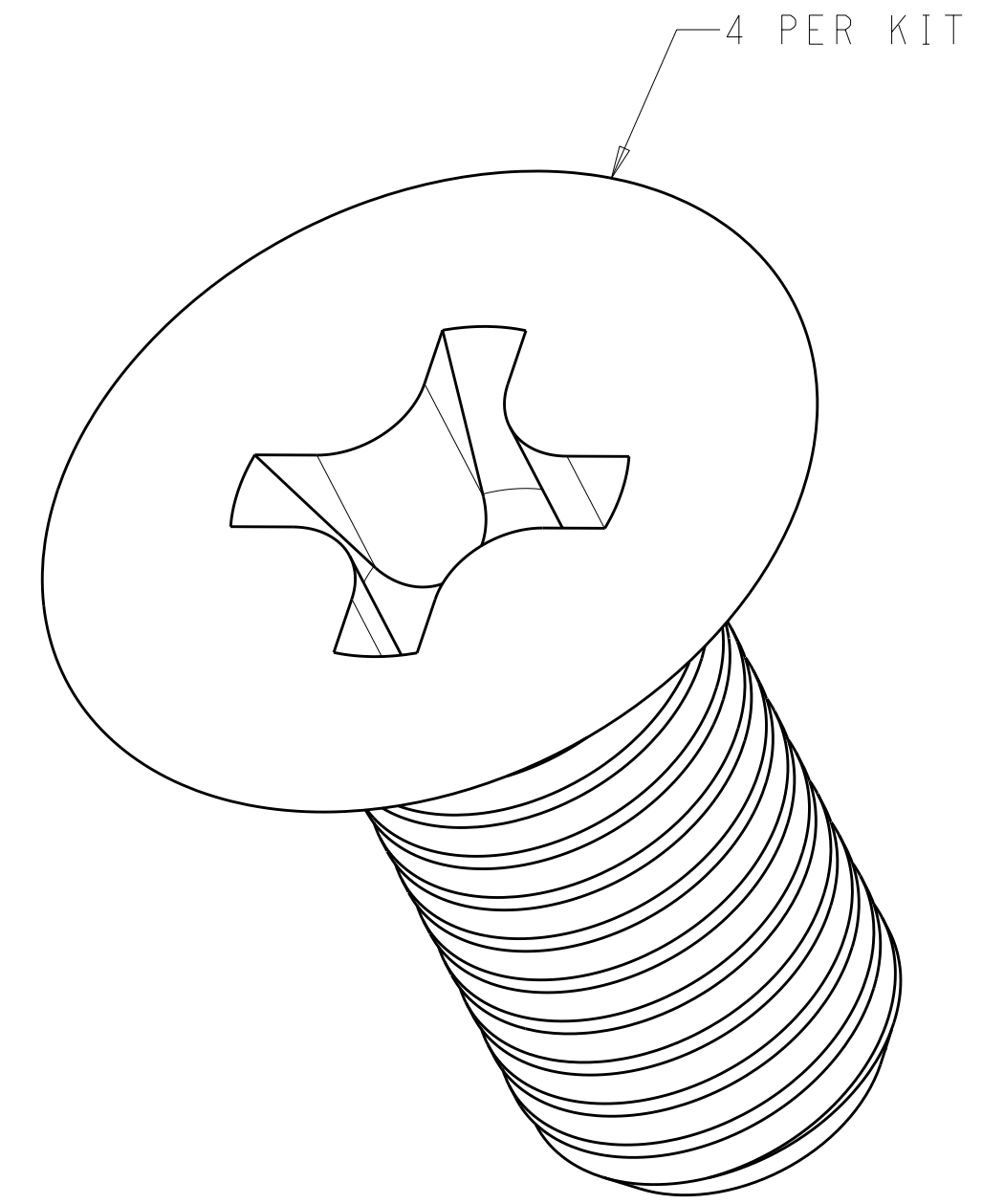
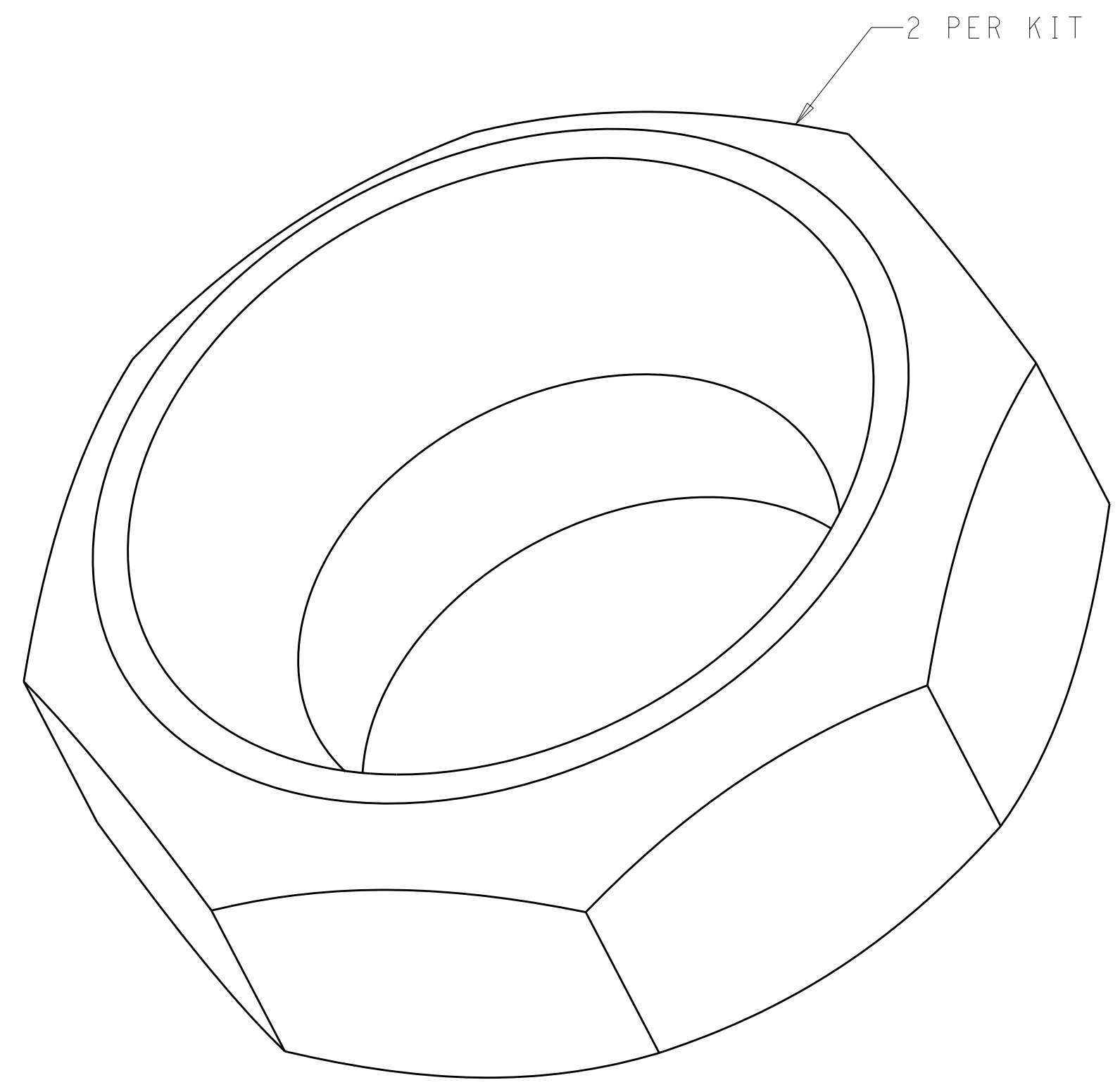


LOC		DIST		REVISIONS			
		REV	DATE	DESCRIPTION	DATE	DWN	APVD
		1	05OCT2011	PROPOSED		DCB	KT
		2	13DEC2011	ADDED DASH 2		DCB	KT



2102783-1

(KEYED)



2102783-2

(NON-KEYED)

1. MATERIAL: STAINLESS STEEL
 2. ITEMS BULK PACKAGED

NON-KEYED	2102783-2
KEYED	2102783-1
DESCRIPTION	PART NUMBER

THIS DRAWING IS A CONTROLLED DOCUMENT.		DWN	D. BELACK	05OCT2011
DIMENSIONS:		CHK	K. THACKSTON	
mm	TOLERANCES UNLESS OTHERWISE SPECIFIED:	APVD	M. McALONIS	
0 PLC	±	PRODUCT SPEC		
1 PLC	±0.13	APPLICATION SPEC		
2 PLC	±0.05			
3 PLC	±			
4 PLC	±			
ANGLES	±			
	±2°			
MATERIAL	FINISH	WEIGHT	~ 3.214g	A100779C=2102783
		CUSTOMER DRAWING	SCALE 20:1	SHEET 1 OF 1 REV 2