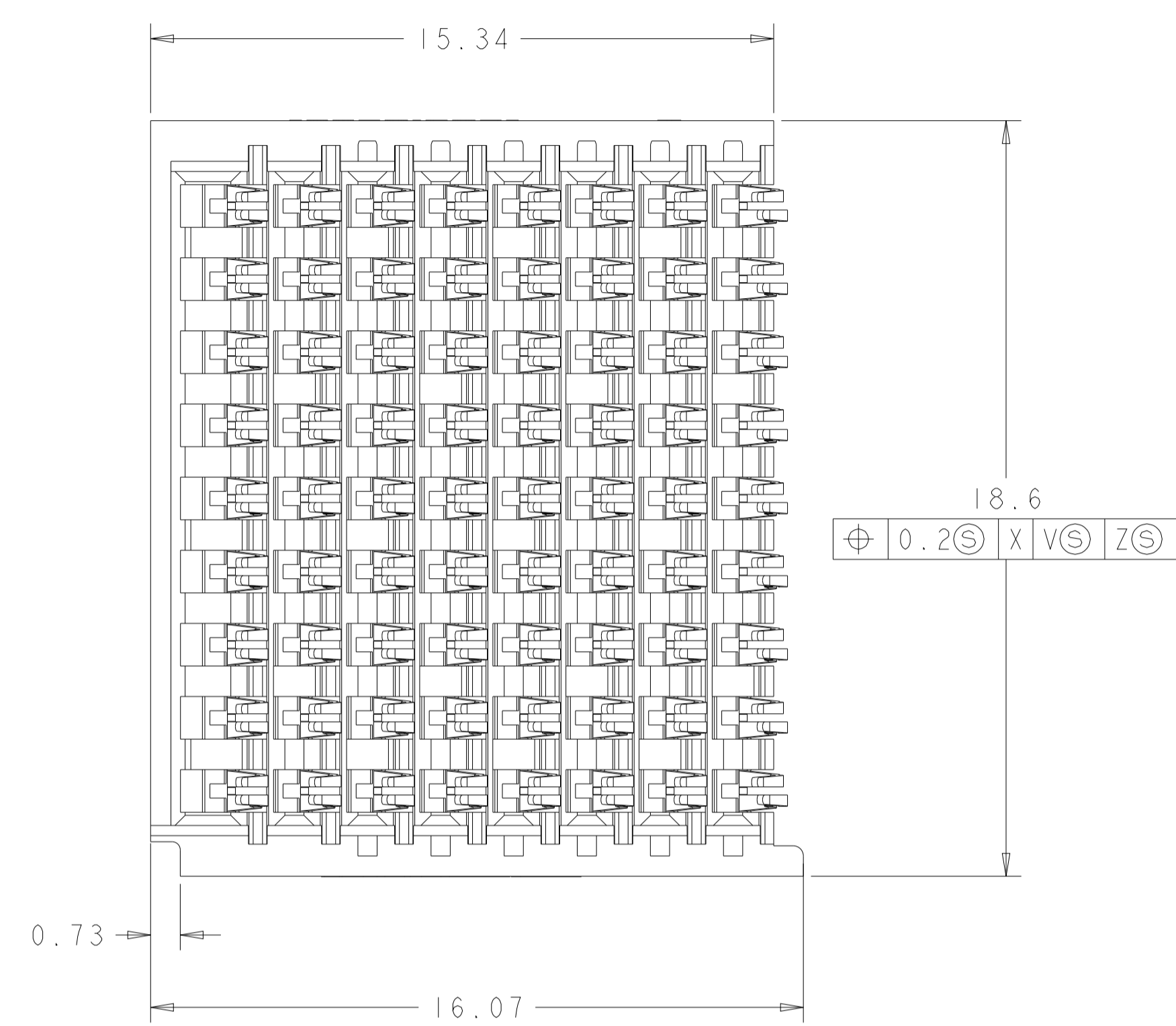
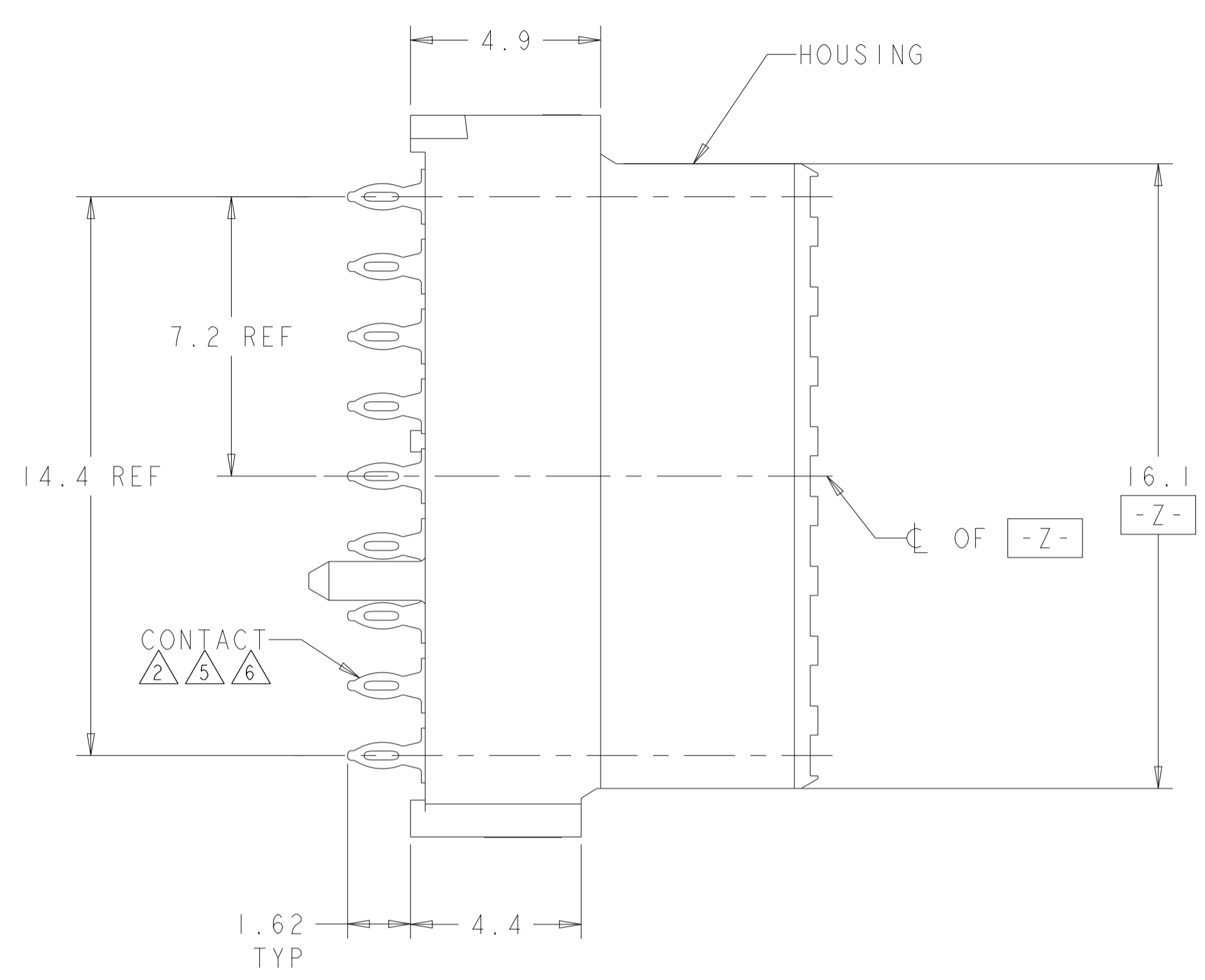
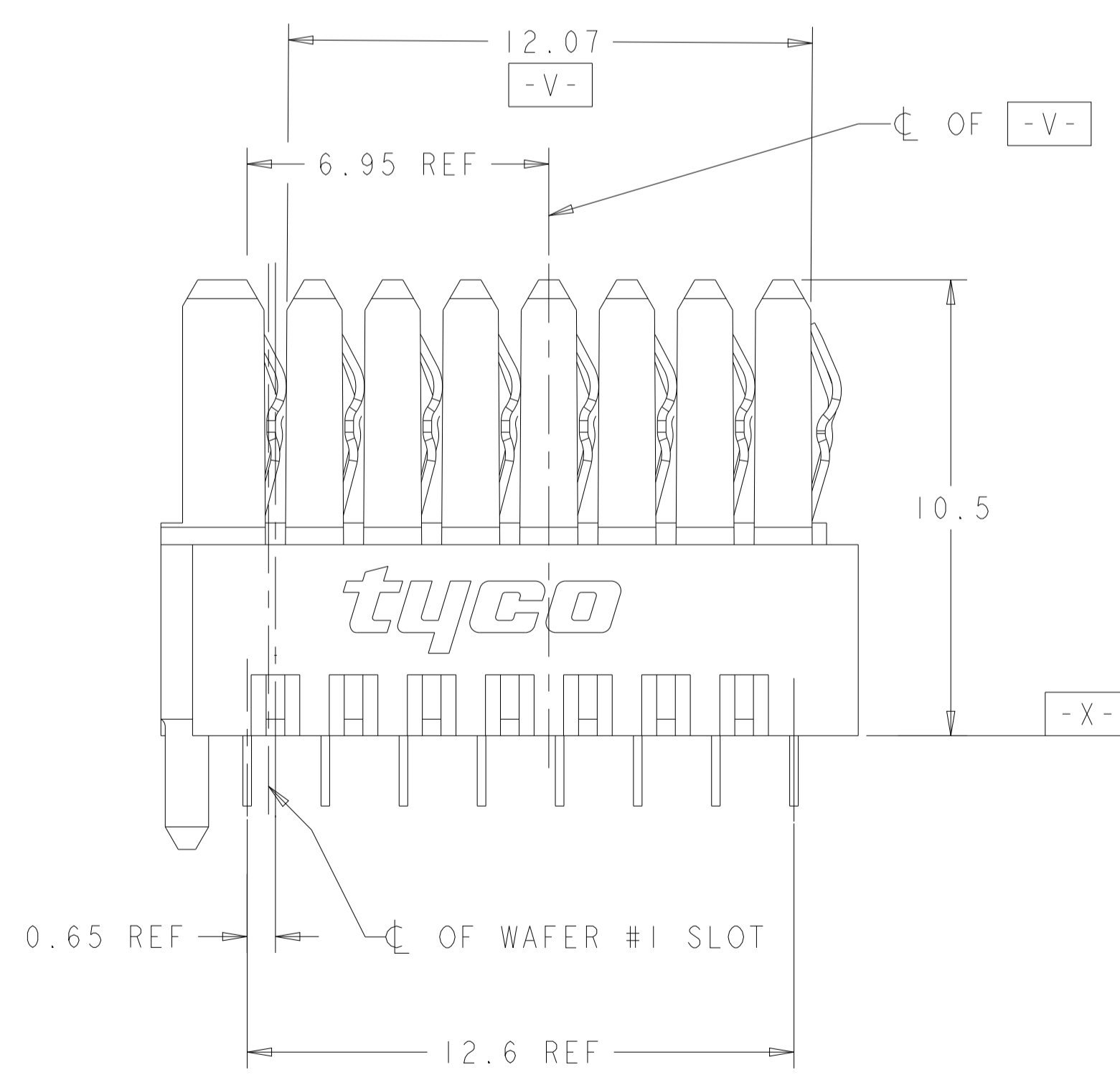
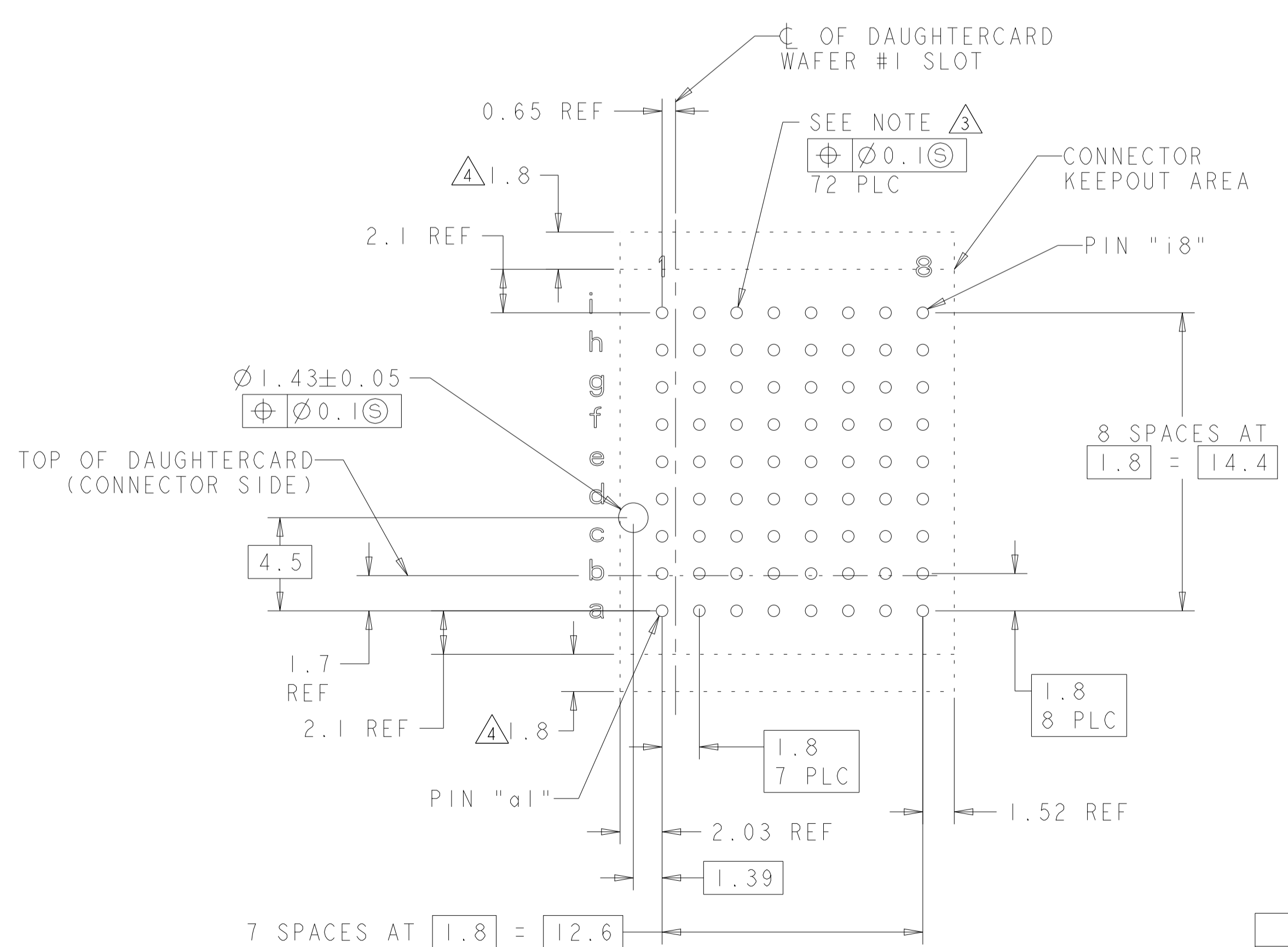


LOC		DIST		REVISIONS			
P	LTN	DESCRIPTION	DATE	DWN	APVD		
B		RELEASED PER ECO-13-004502	12MAR2013	KM	DH		
C		REVISED PER ECO-13-008265	20MAY2013	DB	DH		
D		REVISED PER ECN-21-117402	20SEP2021	JAB	DH		



- 1 HOUSING: LCP, UL94V0, COLOR: BLACK. CONTACT: PHOSPHOR BRONZE.
- 2 FINISH: 1.27µm GOLD IN CONTACT AREA 1.27µm MIN. TIN-LEAD (93/7) ON PCB TAIL OVER 2.54µm MIN. NICKEL OVER ALL.
- 3 PLATED THROUGH HOLE PER 114-13056, FIGURE 4
- 4 ADDITIONAL CONNECTOR-SIDE KEEP-OUT AREA REQUIRED IF CONNECTOR-SIDE EXTRACTION TOOL IS TO BE USED.
- 5 FINISH: 1.27µm MIN GOLD IN CONTACT AREA, 0.50µm MIN TIN ON PCB TAIL OVER 2.54µm MIN. NICKEL OVER ALL.
- 6 FINISH: 1.27µm GOLD IN CONTACT AREA 1.27µm MIN. TIN-LEAD (60/40) ON PCB TAIL OVER 2.54µm MIN. NICKEL OVER ALL.



PC BOARD LAYOUT (CONNECTOR SIDE)
 SEE SHEET 2 FOR RTM)
 SCALE 5:1

JURISDICTION	EAR
CLASSIFICATION	EAR99
DATE OF MARKING	17SEP2021
THIS DOCUMENT CONTAINS CONTROLLED TECHNICAL DATA SUBJECT TO THE EXPORT ADMINISTRATION REGULATIONS (EAR). VIOLATIONS OF THESE EXPORT LAWS AND REGULATIONS ARE SUBJECT TO CIVIL AND CRIMINAL PENALTIES.	

THIS DRAWING IS A CONTROLLED DOCUMENT.		DWN	K. MILLER	07SEP2011
DIMENSIONS:		CHK	K. THACKSTON	12SEP2011
mm	0 PLC ±0.5	APVD	M. McALONIS	10SEP2012
	1 PLC ±0.13	PRODUCT SPEC	108-2072	
	2 PLC ±0.13	APPLICATION SPEC	114-13056	
	3 PLC ±0.13	SIZE	114-13056	
	4 PLC ±0.13	WEIGHT	3.55g	
	ANGLES ±1°	MATERIAL	SEE TABLE	
MATERIAL		Customer Drawing	SCALE	8:1
FINISH		Customer Drawing	SHEET	1 OF 2
SEE TABLE		Customer Drawing	REV	D

6	2102735-4
5	2102735-2
2	2102735-1
PLATING	PART NO

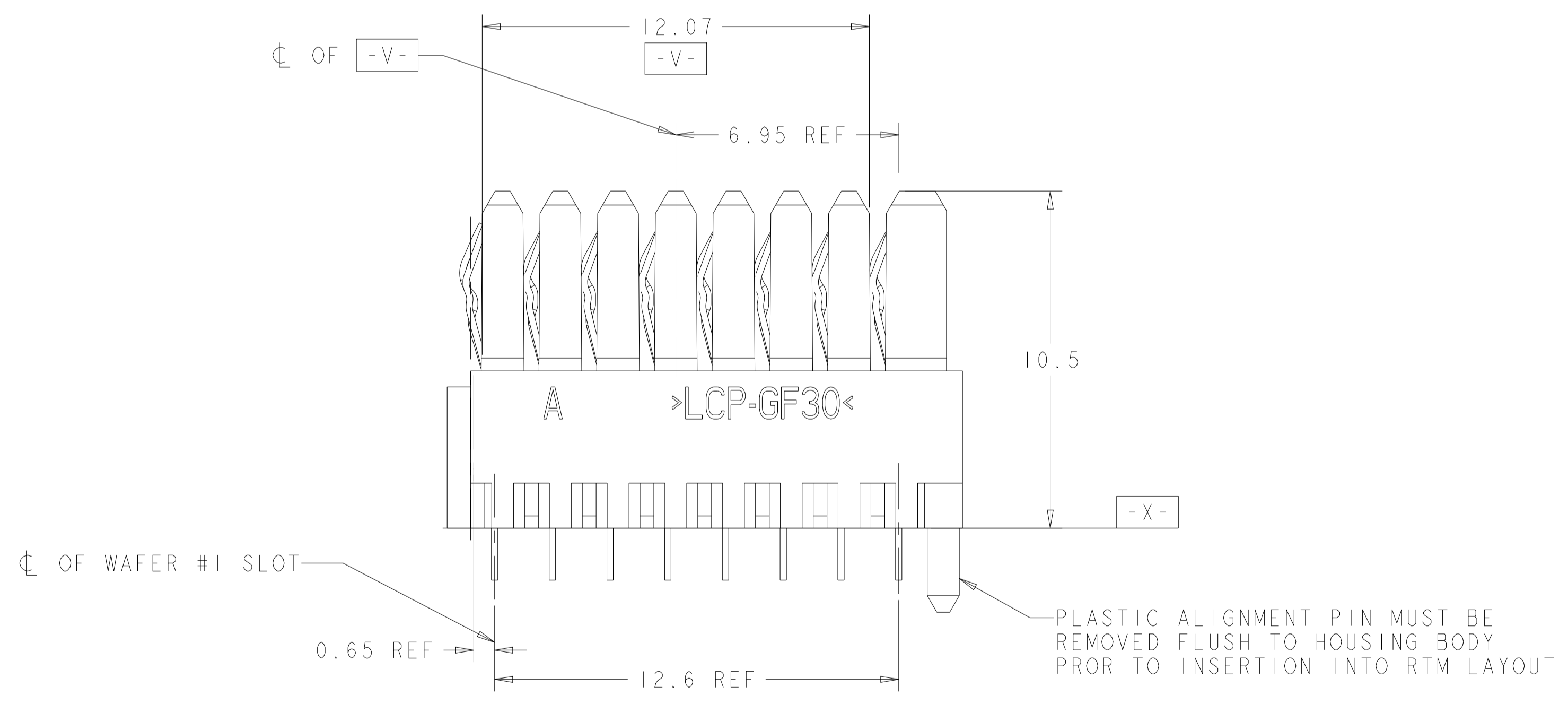
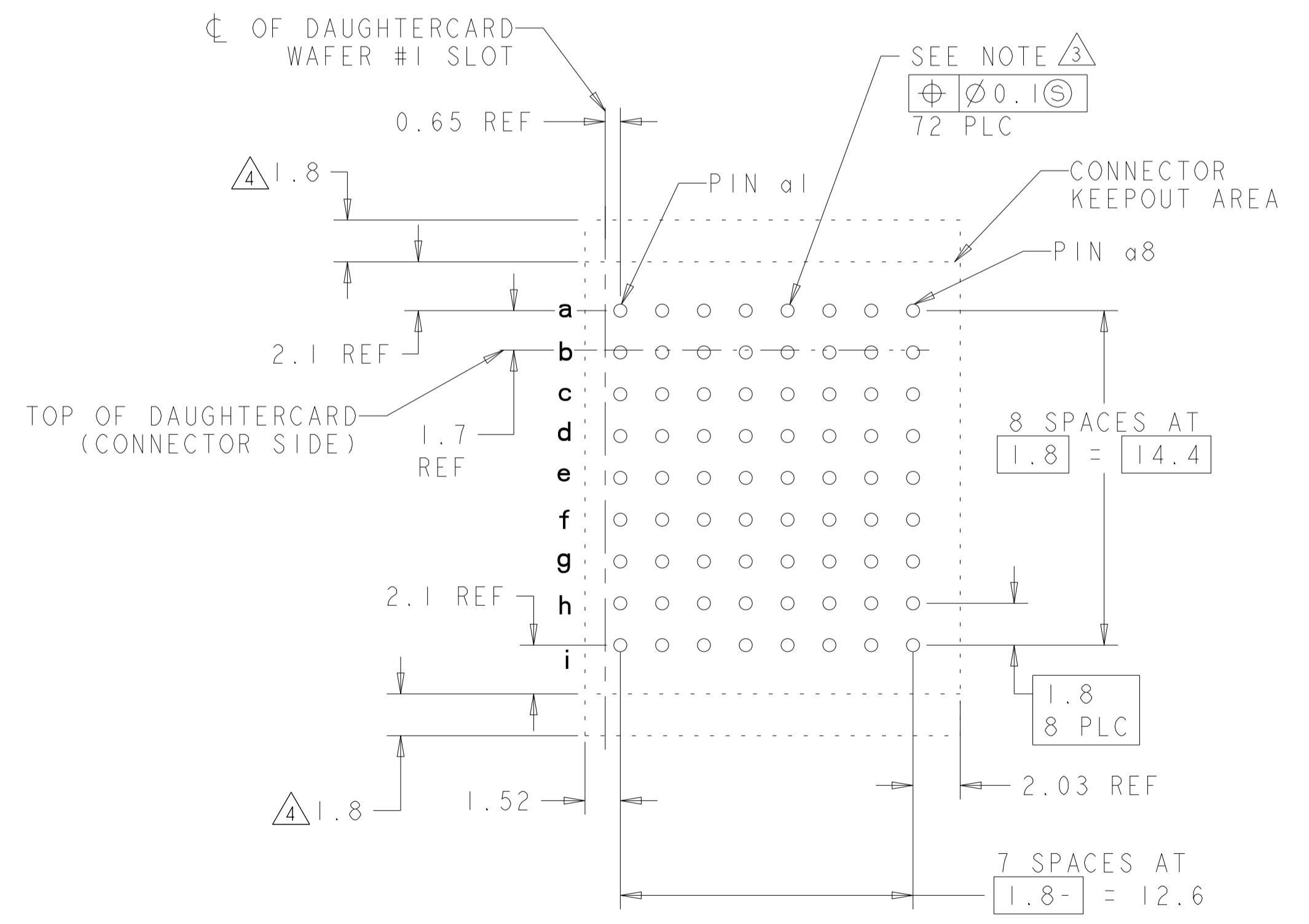
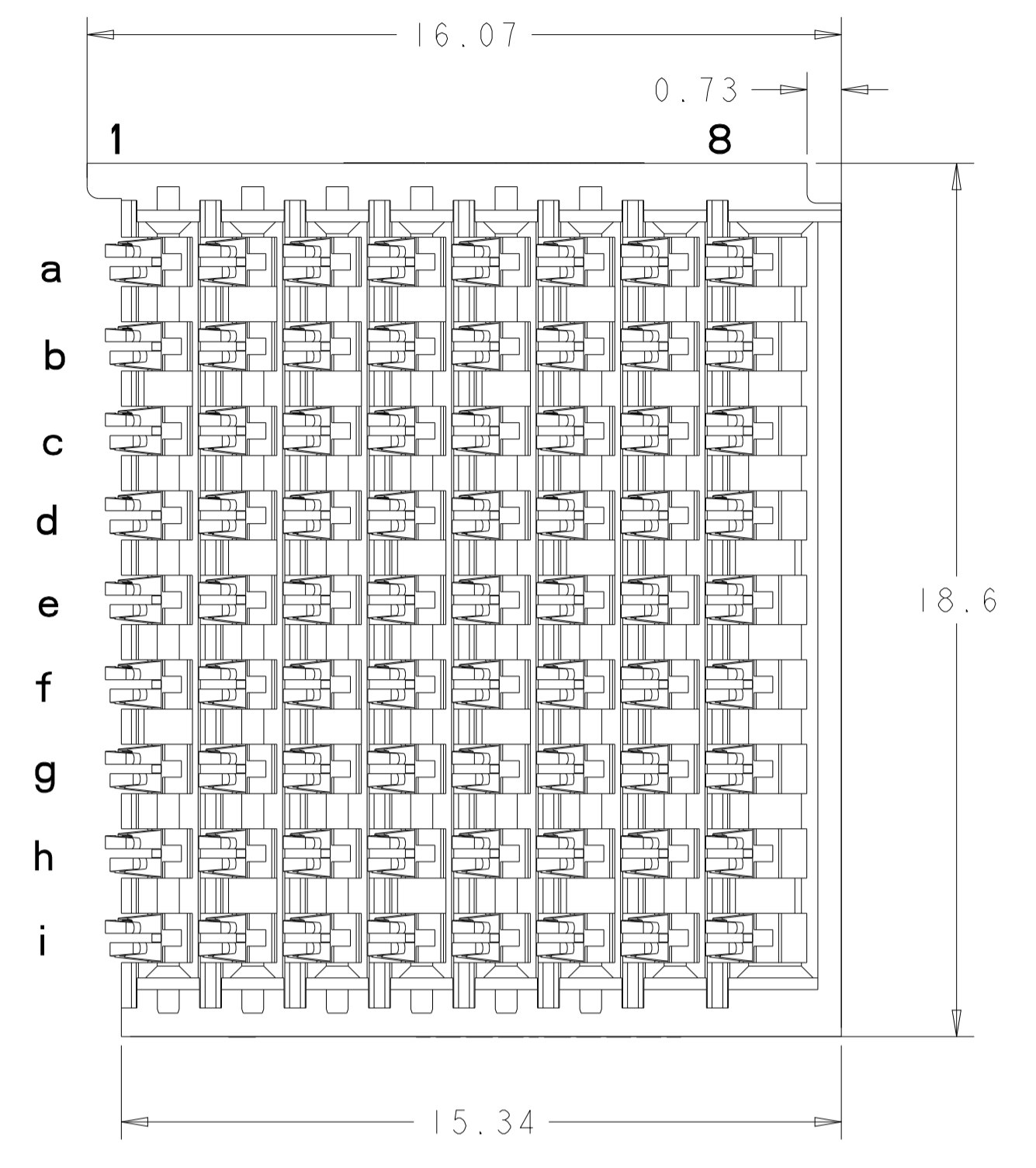
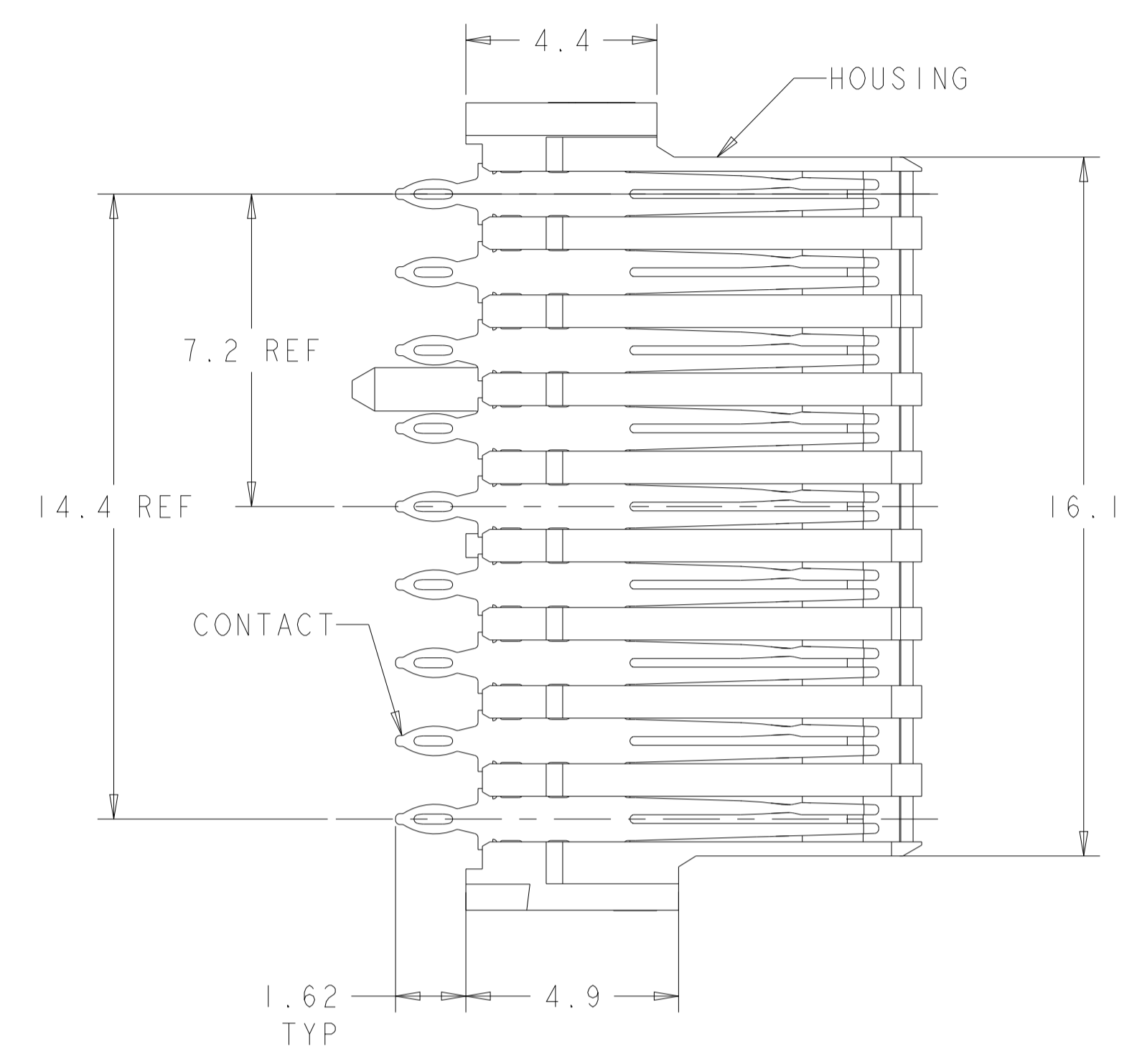


CONNECTOR ASSEMBLY, BACKPLANE VERTICAL RECEPTACLE, HALF, LEFT END, 20.3mm, MULTIGIG RT 2-R

SIZE CAGE CODE DRAWING NO RESTRICTED TO
 A100779C=2102735

LOC		DIST		REVISIONS			
P	LTN	DESCRIPTION	DATE	DMN	APVD		
-	-	SEE SHEET 1	-	-	-		

REAR TRANSITION MODULE APPLICATION



RTM PC BOARD LAYOUT (CONNECTOR SIDE)
 SCALE 5:1

JURISDICTION	EAR
CLASSIFICATION	EAR99
DATE OF MARKING	17SEP2021
THIS DOCUMENT CONTAINS CONTROLLED TECHNICAL DATA SUBJECT TO THE EXPORT ADMINISTRATION REGULATIONS (EAR). VIOLATIONS OF THESE EXPORT LAWS AND REGULATIONS ARE SUBJECT TO CIVIL AND CRIMINAL PENALTIES.	

THIS DRAWING IS A CONTROLLED DOCUMENT.		DMN K. MILLER 07SEP2011	TE Connectivity CONNECTOR ASSEMBLY, BACKPLANE VERTICAL RECEPTACLE, HALF, LEFT END, 20.3mm, MULTIGIG RT 2-R
DIMENSIONS: mm		CHK K. THACKSTON 12SEP2011	
TOLERANCES UNLESS OTHERWISE SPECIFIED:		APVD M. McALONIS 10SEP2012	NAME
0 PLC ±0.5		PRODUCT SPEC	SIZE
1 PLC ±0.13		APPLICATION SPEC	CAGE CODE
2 PLC ±0.13		114-13056	DRAWING NO
3 PLC ±0.13		108-2072	RESTRICTED TO
4 PLC ±0.13		114-13056	WEIGHT
ANGLES ±1°		114-13056	3.55g
FINISH		114-13056	Customer Drawing
SEE TABLE		114-13056	SCALE 8:1
		114-13056	SHEET 2 OF 2
		114-13056	REV D