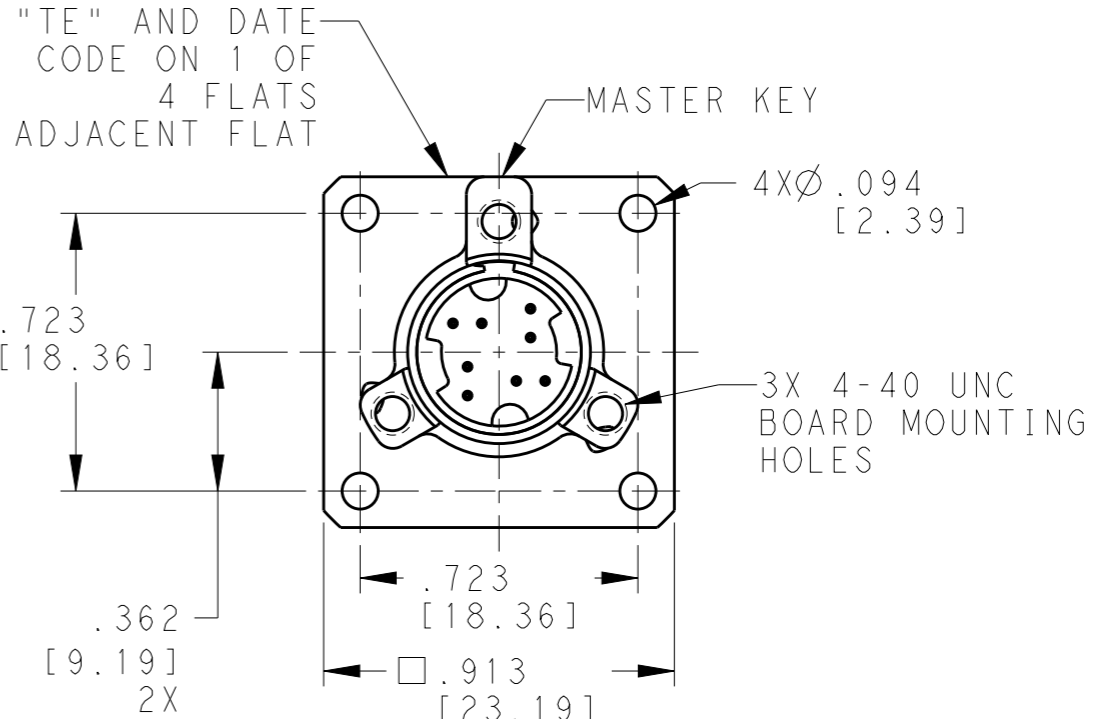
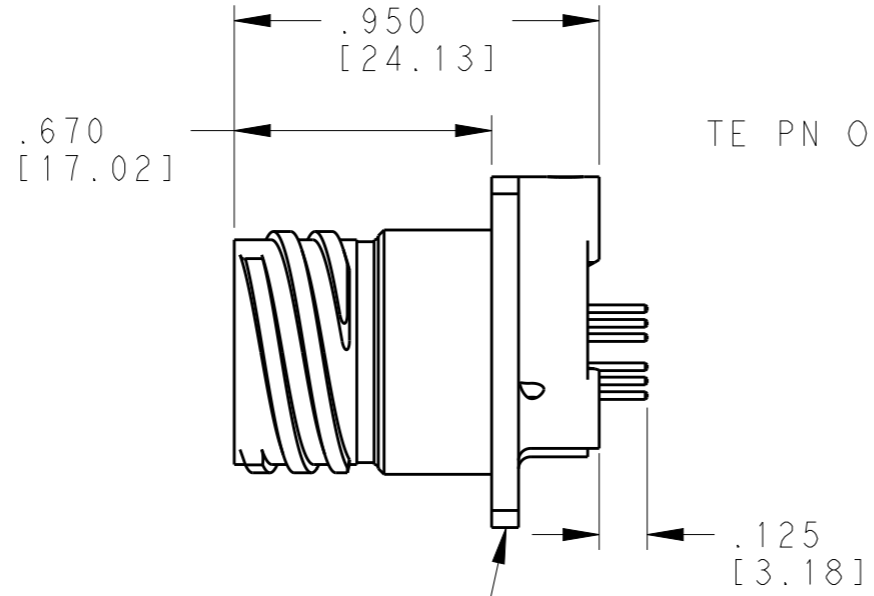
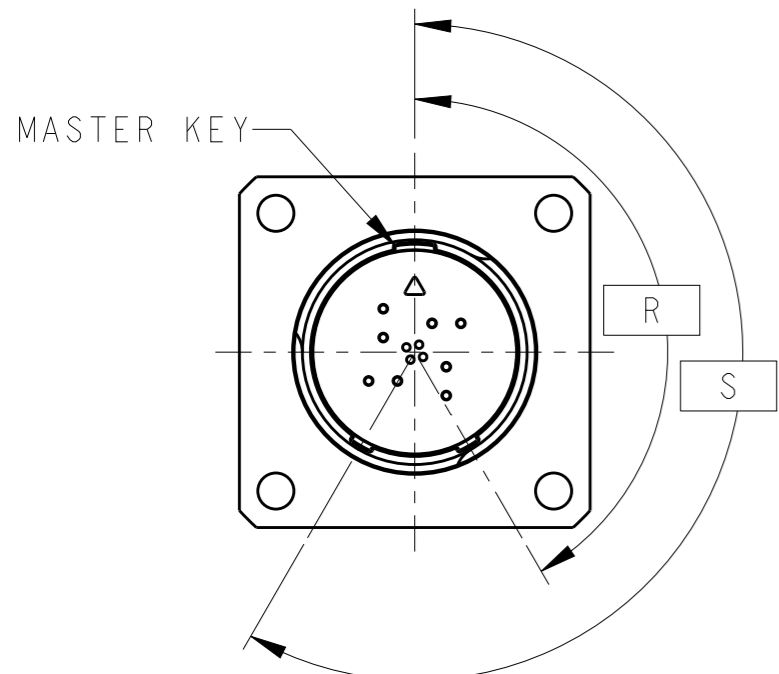
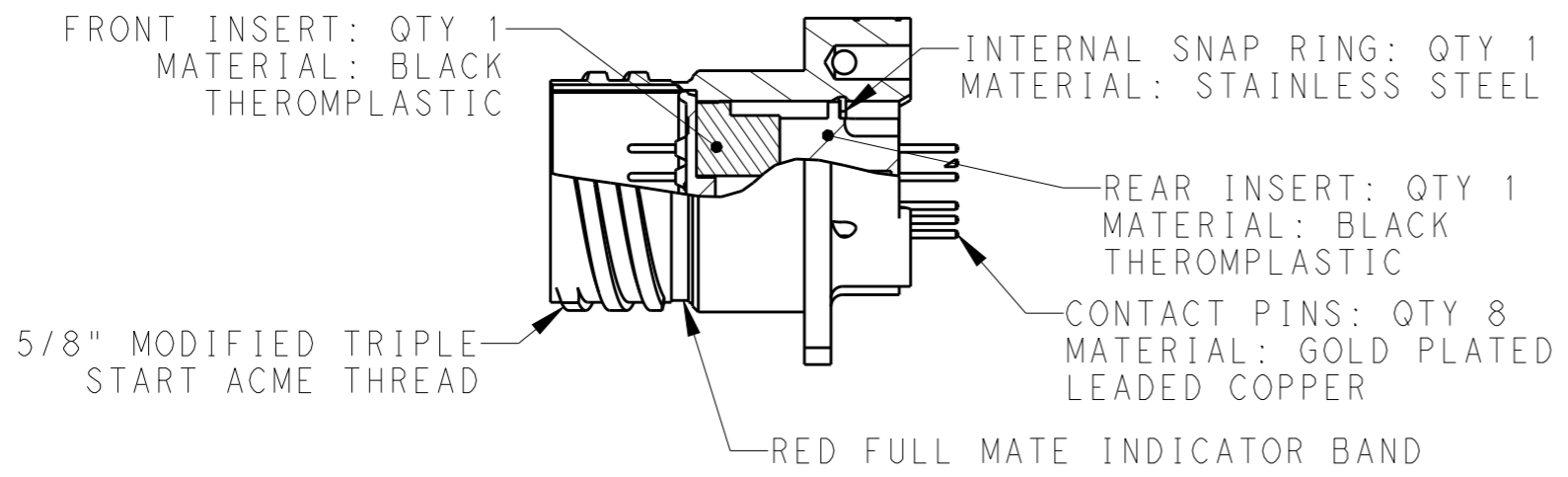
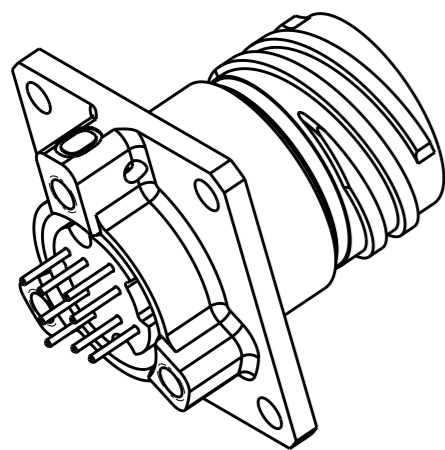


THIS DRAWING IS UNPUBLISHED. RELEASED FOR PUBLICATION  
 © COPYRIGHT - BY - ALL RIGHTS RESERVED.

LOC	DIST	REVISIONS					
		P	LTR	DESCRIPTION	DATE	DWN	APVD
-	-		B	REV PER ECO 13-001557	2-12-13	CT	DM
			C	REVISED PER ECO-15-013009	03DEC15	RS	CT




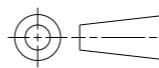
RECEPTACLE: QTY 1  
 MATERIAL: ALUMINUM  
 FINISH: SEE TABLE



B	BLACK ZINC NICKEL PLATE	2102453-6
B	NICKEL PLATE	2102453-5
A	BLACK ZINC NICKEL PLATE	2102453-4
A	NICKEL PLATE	2102453-3
NORMAL	BLACK ZINC NICKEL PLATE	2102453-2
NORMAL	NICKEL PLATE	2102453-1
KEYING OPTION	FINISH	PART NUMBER

KEY OPTION	KEY ROTATION	
	"R"	"S"
NORMAL	150°	210°
A	140°	215°
B	132°	248°

THIS DRAWING IS A CONTROLLED DOCUMENT. DIMENSIONING AND TOLERANCING PER ASME Y14.5M (ISO STANDARDS)

DIMENSIONS: INCHES [mm]	TOLERANCES UNLESS OTHERWISE SPECIFIED:	DWN 18AUG2011 MCKIBBEN, JOHN	 TE Connectivity NAME PCB SQUARE FLANGE RECEPTACLE MOUNT ASSEMBLY
	0 PLC ±-	CHK 18AUG2011 DOWHOWER, KENNETH	
	1 PLC ±-	APVD 18AUG2011 DOWHOWER, KENNETH	
	2 PLC ±-	PRODUCT SPEC 108-2482	
	3 PLC ±.005 [0.13]	APPLICATION SPEC 114-32025	SIZE A3
	4 PLC ±-	WEIGHT -	CAGE CODE 00779
	ANGLES ±-		DRAWING NO C-2102453
MATERIAL -	FINISH -		RESTRICTED TO -

CUSTOMER DRAWING SCALE 2:1 SHEET 1 OF 2 REV C

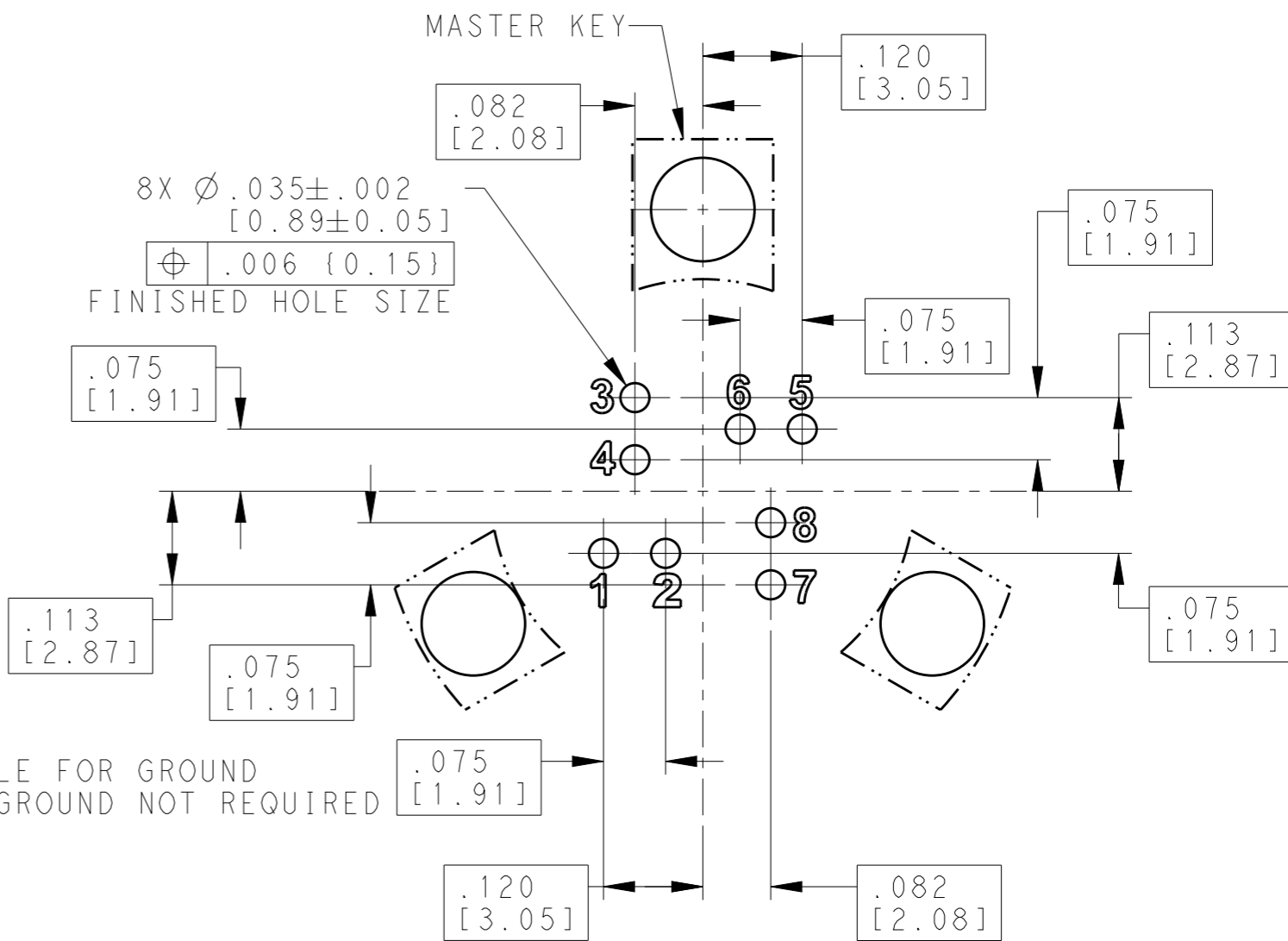
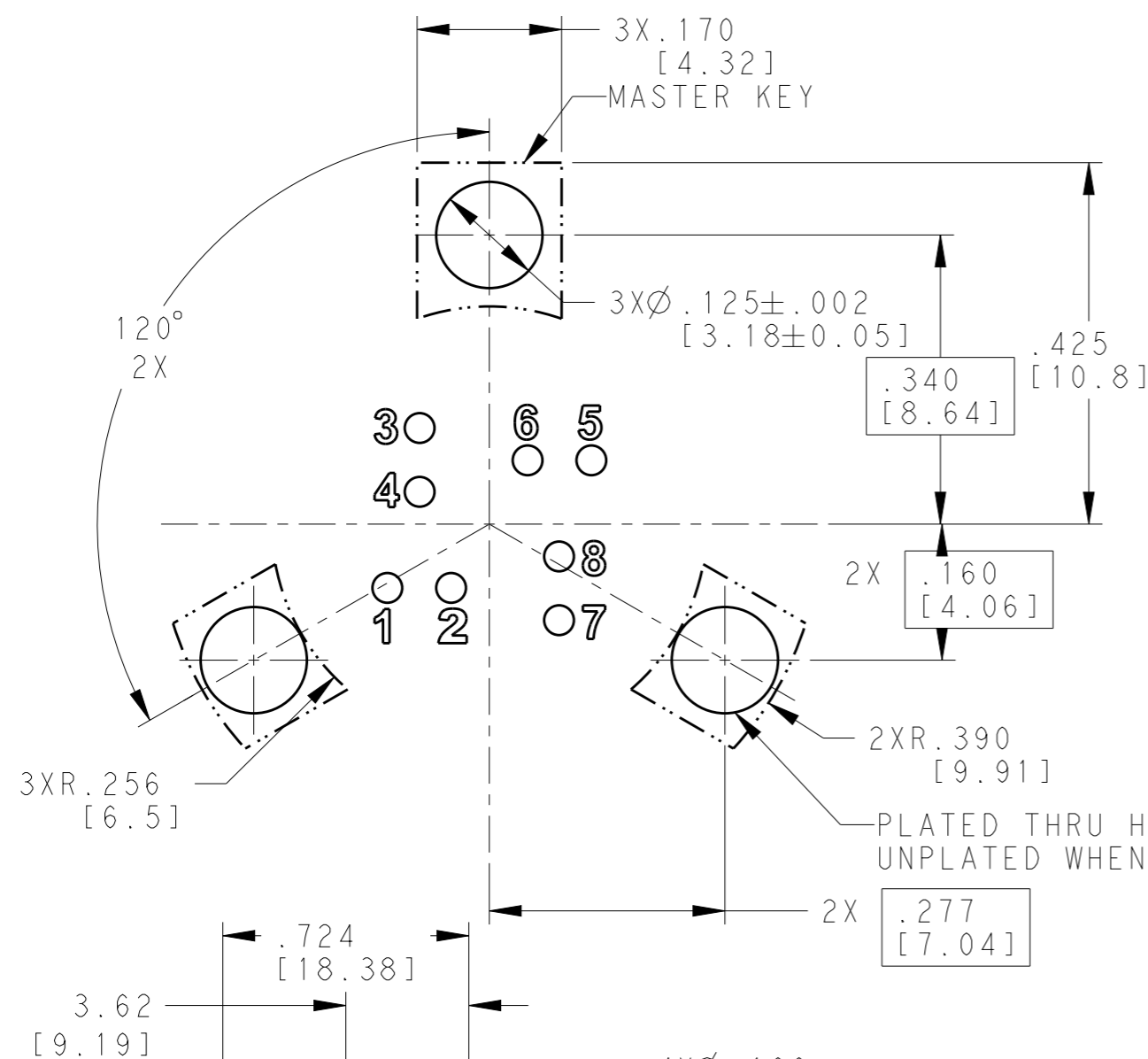
THIS DRAWING IS UNPUBLISHED.

RELEASED FOR PUBLICATION

© COPYRIGHT - BY - ALL RIGHTS RESERVED.

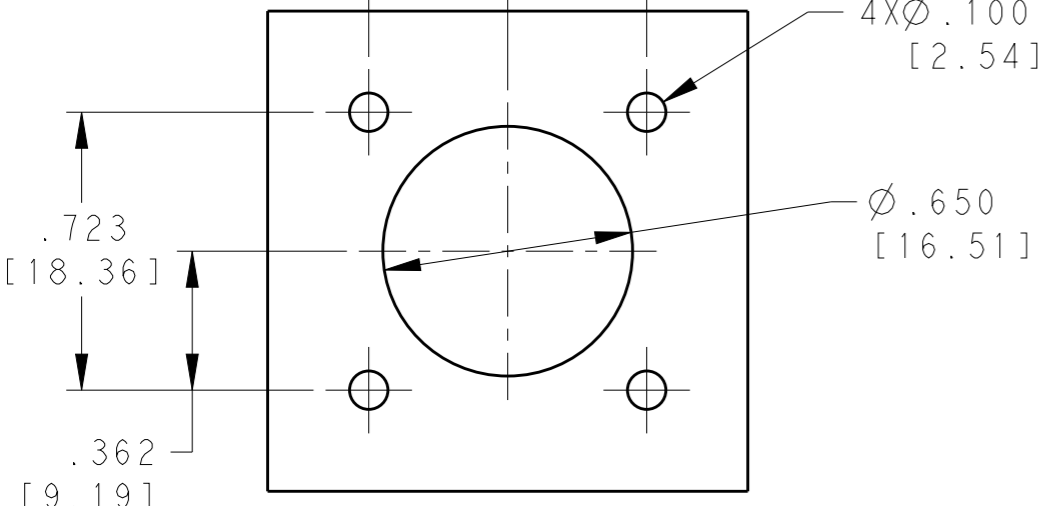
LOC	DIST	REVISIONS			
P	LTR	DESCRIPTION	DATE	DWN	APVD
-	-	SEE SHEET 1	-	-	-


# RECOMMENDED BOARD LAYOUT



PLATED THRU HOLE FOR GROUND UNPLATED WHEN GROUND NOT REQUIRED

# PANEL CUTOUT DIMENSIONS



THIS DRAWING IS A CONTROLLED DOCUMENT. DIMENSIONING AND TOLERANCING PER ASME Y14.5M (ISO STANDARDS)		DWN MCKIBBEN, JOHN 18AUG2011	 TE Connectivity		
DIMENSIONS: INCHES [mm]		CHK DOWHOWER, KENNETH 18AUG2011			
TOLERANCES UNLESS OTHERWISE SPECIFIED:		APVD DOWHOWER, KENNETH 18AUG2011	NAME PCB RECEPTACLE MOUNT ASSEMBLY		
0 PLC $\pm$ - 1 PLC $\pm$ - 2 PLC $\pm$ - 3 PLC $\pm$ .005 [0.13] 4 PLC $\pm$ - ANGLES $\pm$ -		PRODUCT SPEC -	RESTRICTED TO -		
MATERIAL -		APPLICATION SPEC -	SIZE A3	CAGE CODE 00779	DRAWING NO C-2102453
FINISH -		WEIGHT -	SCALE 1:1 SHEET 2 OF 2 REV C		
CUSTOMER DRAWING					