

THIS DRAWING IS UNPUBLISHED.

RELEASED FOR PUBLICATION

© COPYRIGHT - BY -

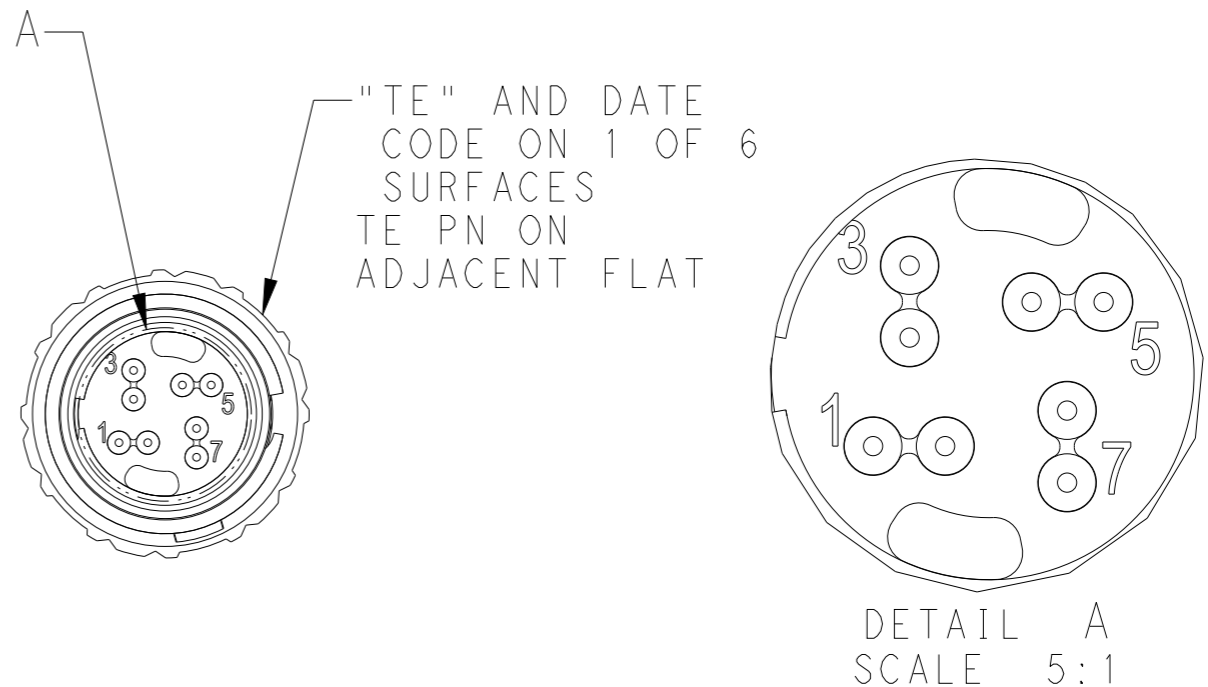
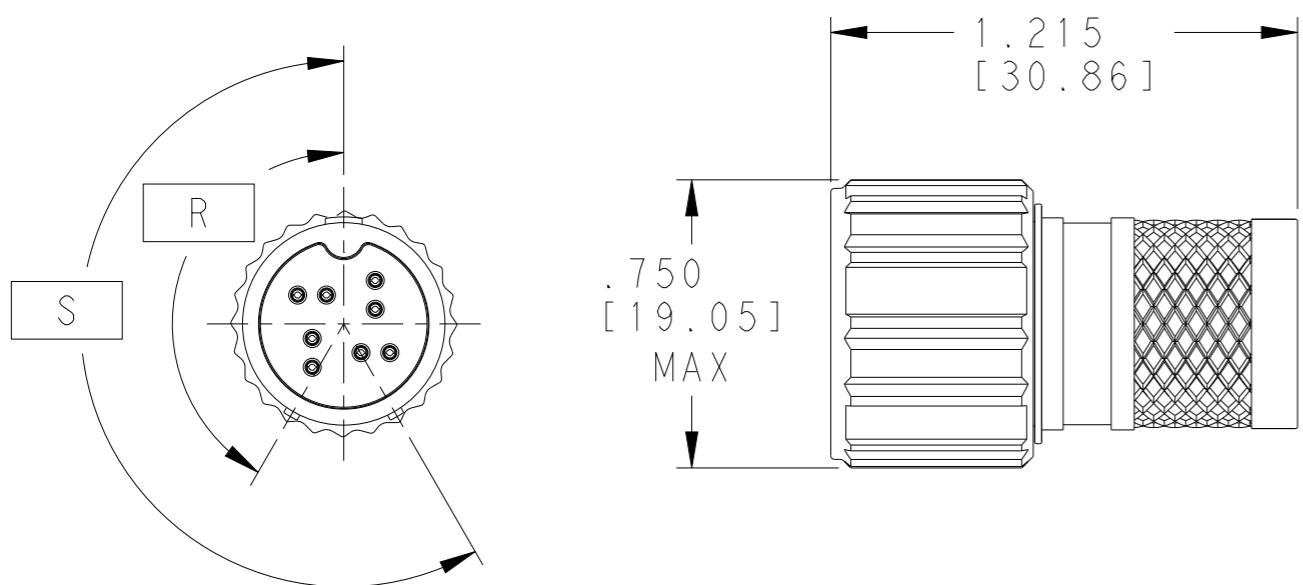
ALL RIGHTS RESERVED.

REVISIONS

P	LTR	DESCRIPTION	DATE	DWN	APVD
	F	REV PER ECO 20-010434	7-27-20	CT	DM
	G	REVISED PER ECN-22-162811	07JUL2022	OG	AE

KEY OPTION	KEY ROTATION	
	"R"	"S"
NORMAL	150°	210°
A	140°	215°
B	132°	248°

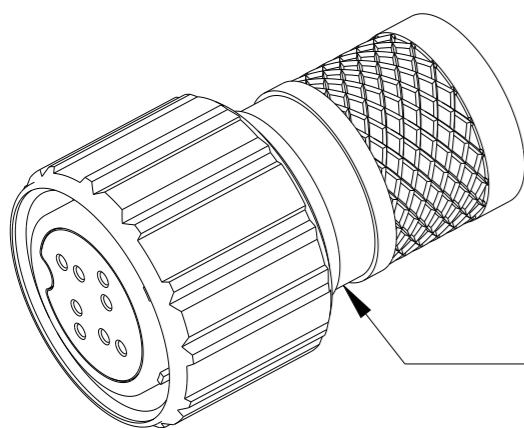
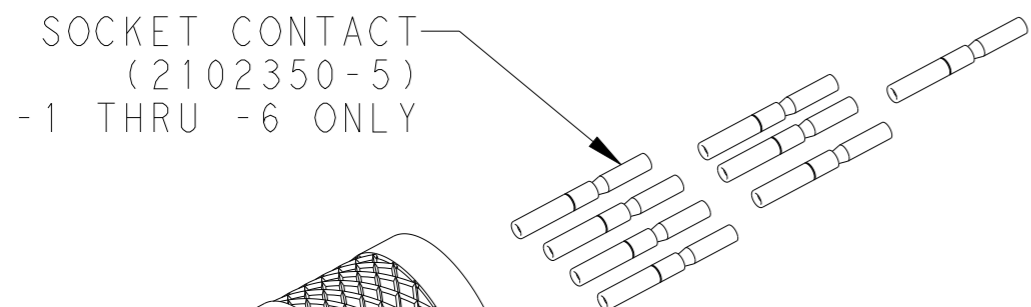
SEE DETAIL A



DETAIL A SCALE 5:1

PARTS REMOVED FOR CLARIFICATION

- 1, -3 -5 AND -7 ARE ELECTROLESS NICKEL PLATE PER MIL-C-26074.
- 2, -4 AND -6 ARE BLACK ZINC NICKEL PER AMS-2417.
- CONTACTS SHALL BE PACKAGED SEPARATELY IN KIT.



---	NORMAL	NICKEL PLATE	PLUG ASSEMBLY	2102353-7
10	B	BLACK ZINC NICKEL PLATE	PLUG ASSEMBLY	2102353-6
10	B	NICKEL PLATE	PLUG ASSEMBLY	2102353-5
10	A	BLACK ZINC NICKEL PLATE	PLUG ASSEMBLY	2102353-4
10	A	NICKEL PLATE	PLUG ASSEMBLY	2102353-3
10	NORMAL	BLACK ZINC NICKEL PLATE	PLUG ASSEMBLY	2102353-2
10	NORMAL	NICKEL PLATE	PLUG ASSEMBLY	2102353-1
SOCKET CONTACTS 50µ GOLD PLATE	KEYING OPTION	FINISH	DESCRIPTION	PART NUMBER

THIS DRAWING IS A CONTROLLED DOCUMENT. DIMENSIONING AND TOLERANCING PER ASME Y14.5M (ISO STANDARDS)

DIMENSIONS: INCHES [mm]	TOLERANCES UNLESS OTHERWISE SPECIFIED:
	0 PLC ±-
	1 PLC ±-
	2 PLC ±-
	3 PLC ±.005 [0.13]
	4 PLC ±-
	ANGLES ±-
MATERIAL	FINISH
-	-
-	-

DWN	10 JUN 2011
MCKIBBEN, JOHN	
CHK	10 JUN 2011
DOWHOWER, KENNETH	
APVD	10 JUN 2011
DOWHOWER, KENNETH	
PRODUCT SPEC	108-2482
APPLICATION SPEC	114-32025
WEIGHT	-
CUSTOMER DRAWING	



NAME PLUG ASSEMBLY KIT			
SIZE	CAGE CODE	DRAWING NO	RESTRICTED TO
A3	00779	C-2102353	
SCALE 2:1		SHEET 1 OF 1	REV G