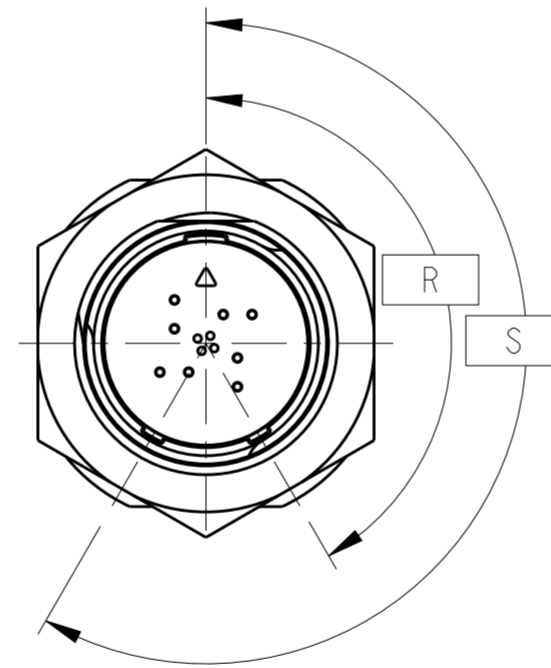
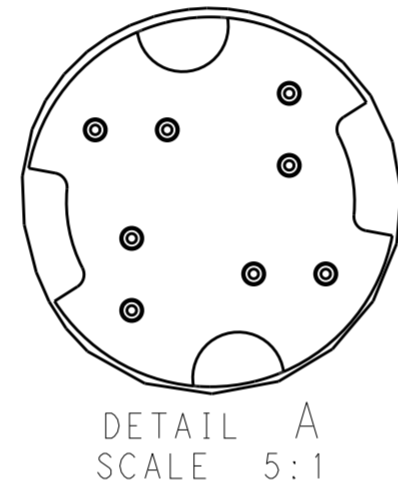
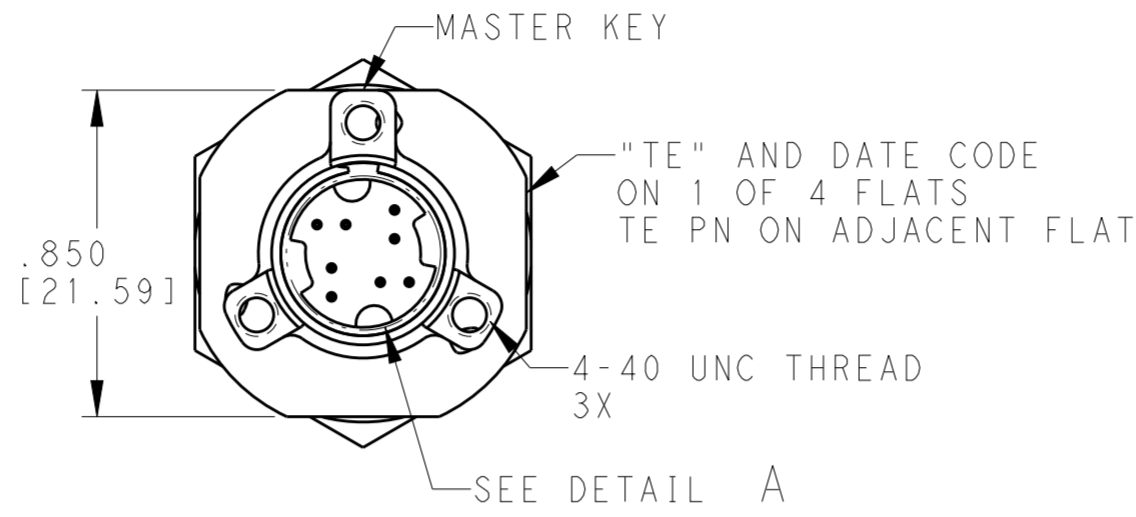
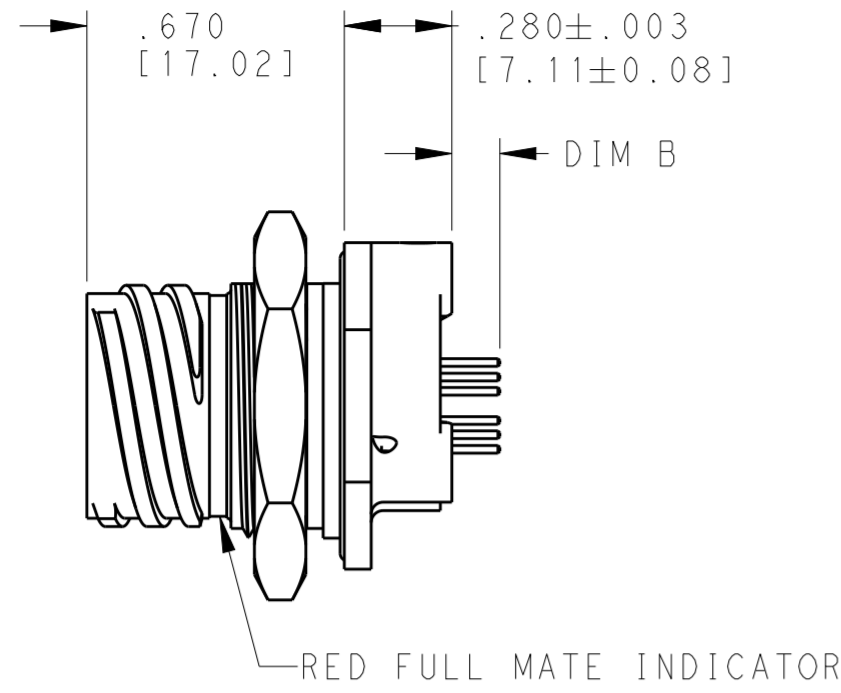
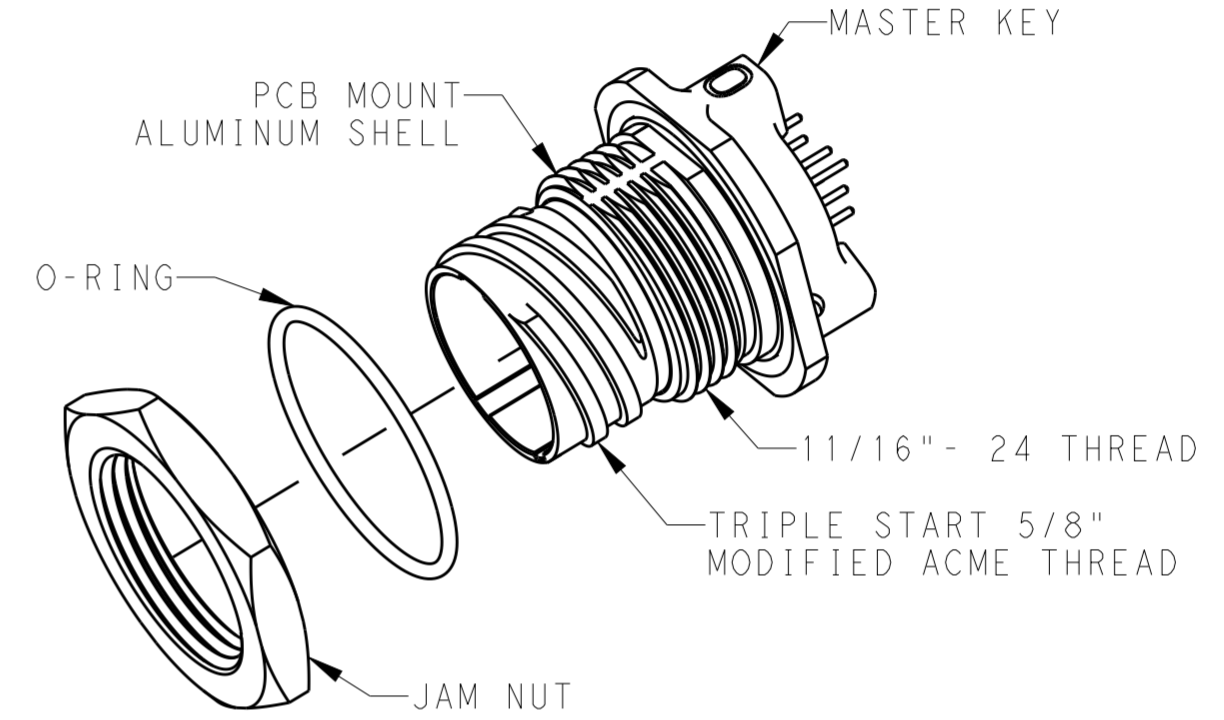


THIS DRAWING IS UNPUBLISHED. RELEASED FOR PUBLICATION
 © COPYRIGHT - BY - ALL RIGHTS RESERVED.

REVISIONS				
P	LTR	DESCRIPTION	DATE	APVD
6		REV PER ECO-18-006382	10MAY2016	EG DM



KEY OPTIONS	KEY ROTATION	
	"R"	"S"
NORMAL	150°	210°
A	140°	215°
B	132°	248°



.288 [7.31]	4	A	2	1-2102351-4
.288 [7.31]	4	NORMAL	2	1-2102351-3
.125 [3.18]	3	B	2	2102351-6
.125 [3.18]	3	B	1	2102351-5
.125 [3.18]	3	A	2	2102351-4
.125 [3.18]	3	A	1	2102351-3
.125 [3.18]	3	NORMAL	2	2102351-2
.125 [3.18]	3	NORMAL	1	2102351-1
DIM B ±.010 [±0.25]	O-RING	KEYING OPTION	FINISH	PART NUMBER

- 1 FINISH: ELECTROLESS NICKEL PLATE PER MIL-C-26074.
- 2 FINISH: BLACK ZINC NICKEL PER AMS-2417.
- 3 MATERIAL: FLUROSILICONE
- 4 MATERIAL: CONDUCTIVE FLOUROSILICONE.

THIS DRAWING IS A CONTROLLED DOCUMENT.

DWN: MCKIBBEN, JOHN
 CHK: DOWHOWER, KENNETH
 APVD: DOWHOWER, KENNETH

STE TE Connectivity

PRODUCT SPEC: 108-2482
 APPLICATION SPEC: 114-32025

NAME: PCB MOUNT KIT

SIZE: A2 CAGE CODE: 00779 DRAWING NO: C-2102351 RESTRICTED TO: -

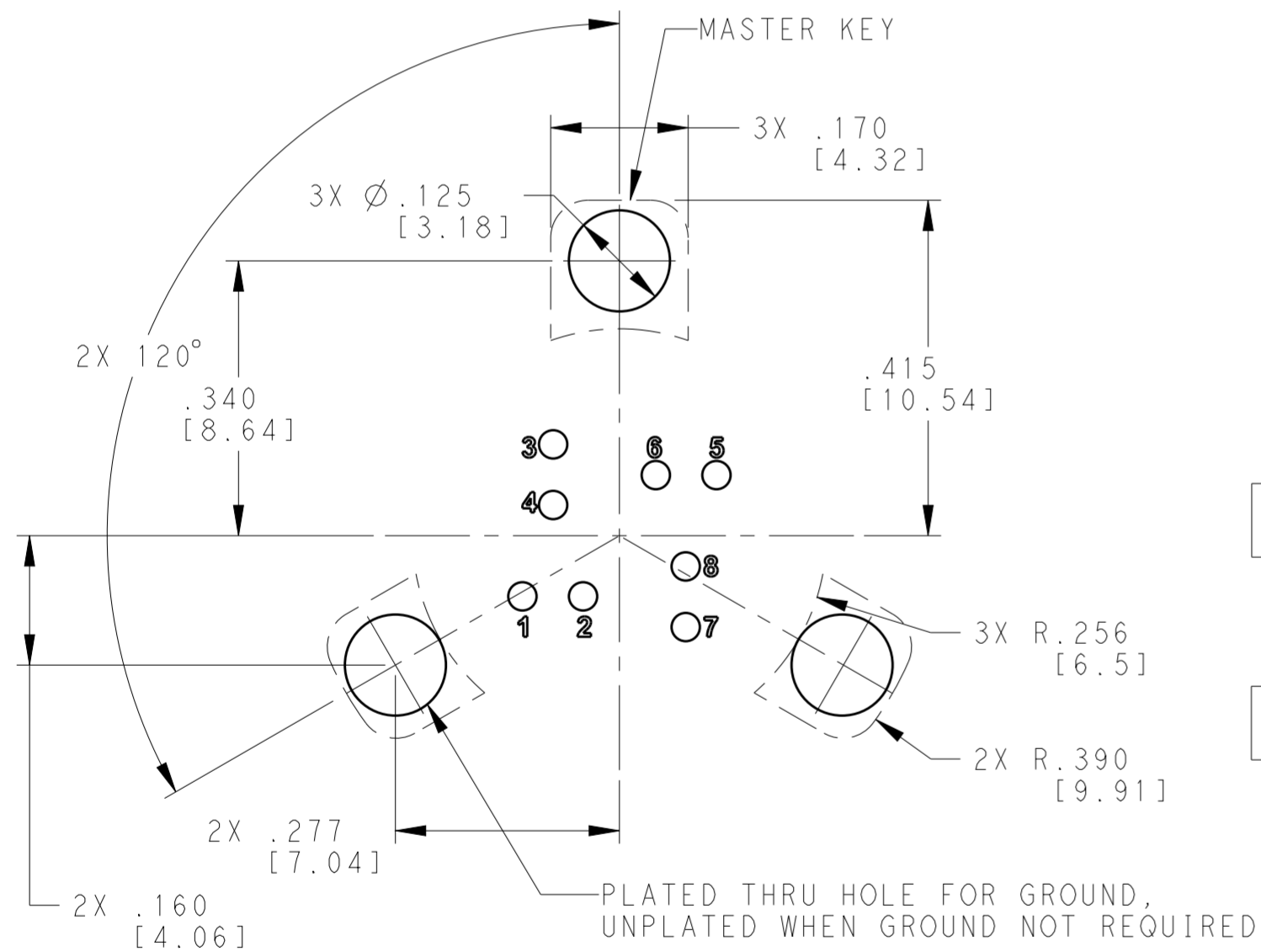
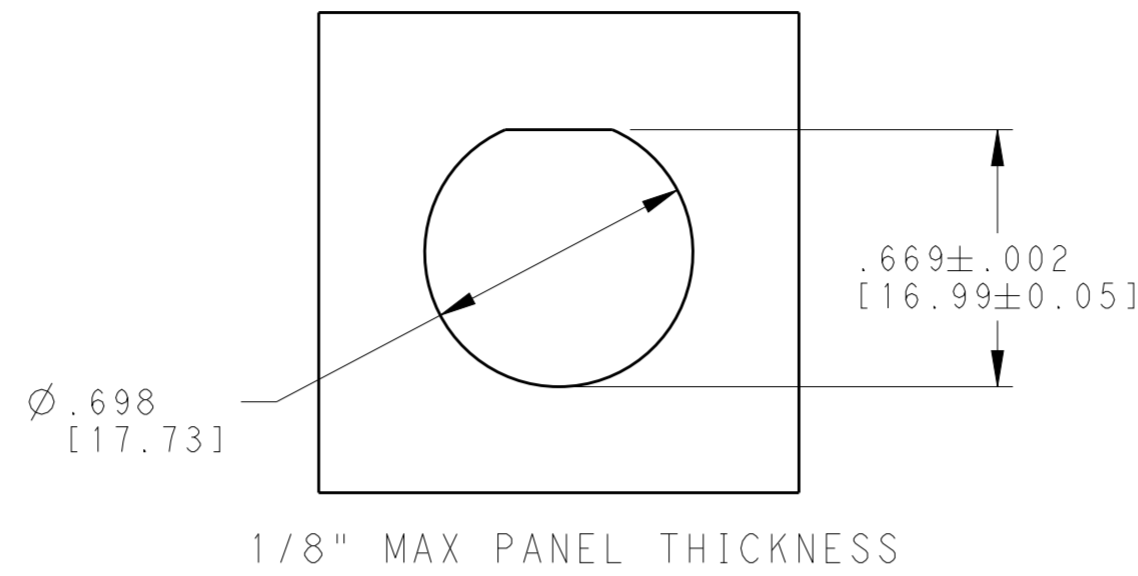
MATERIAL: - DIMENSIONS: INCHES [mm] TOLERANCES UNLESS OTHERWISE SPECIFIED: 0 PLC ±, 1 PLC ±, 2 PLC ±, 3 PLC ±.005 [0.13], 4 PLC ±, ANGLES ±, FINISH -

WEIGHT: -

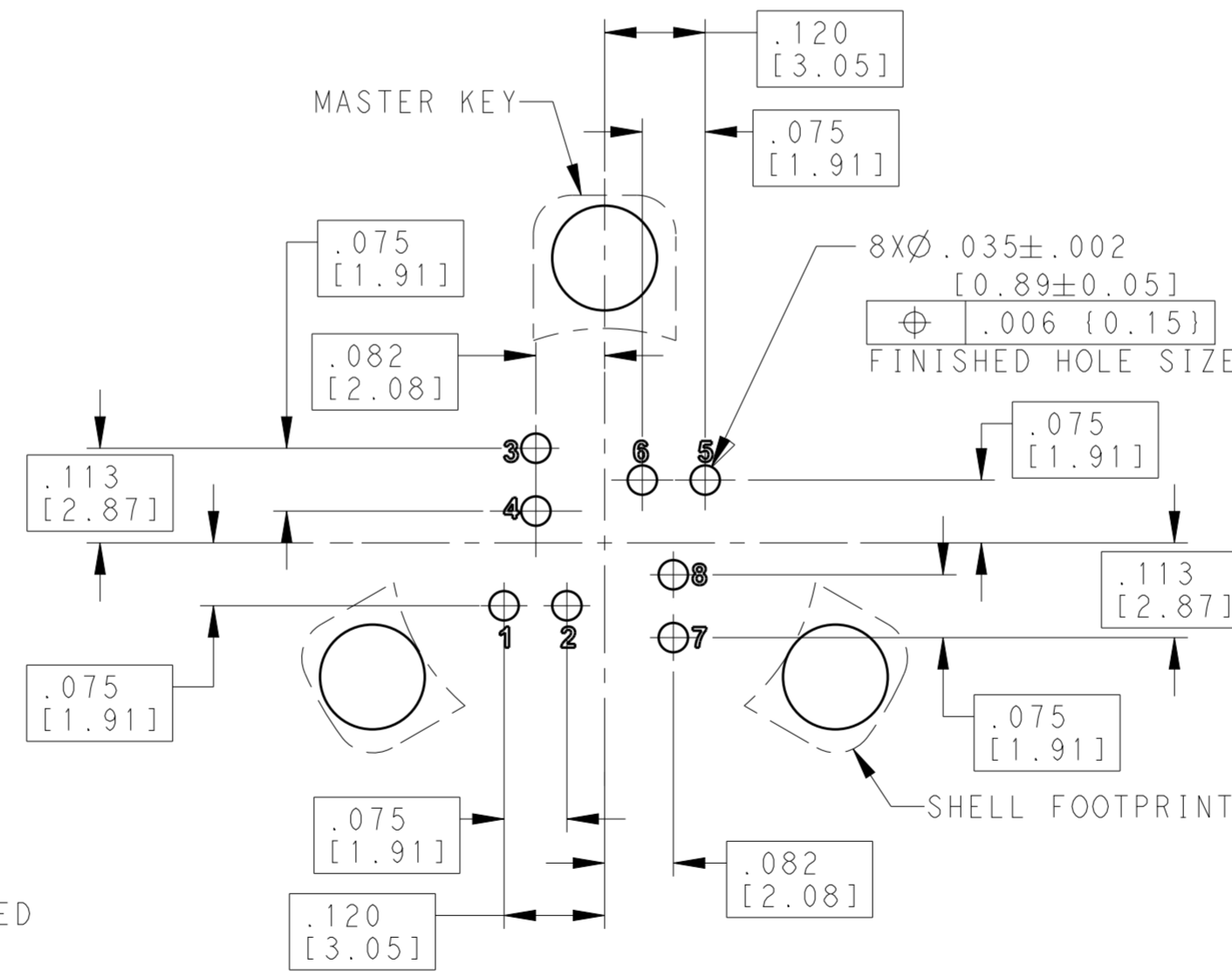
CUSTOMER DRAWING SCALE: 2:1 SHEET: 1 OF 2 REV: G

THIS DRAWING IS UNPUBLISHED. RELEASED FOR PUBLICATION 20
 © COPYRIGHT 20 BY - ALL RIGHTS RESERVED.

REVISIONS				
P	LTR	DESCRIPTION	DATE	APVD
-	-	SEE SHEET 1	-	-



MOUNTING HOLE INFORMATION
 RECOMMENDED BOARD LAYOUT



PC BOARD TOP VIEW
 SOLDER TAIL HOLE INFORMATION

THIS DRAWING IS A CONTROLLED DOCUMENT.		DWN MCKIBBEN, JOHN	TE Connectivity	
DIMENSIONS: INCHES [mm]		CHK DOWHOWER, KENNETH		
		APVD DOWHOWER, KENNETH	NAME PCB MOUNT KIT	
TOLERANCES UNLESS OTHERWISE SPECIFIED:		PRODUCT SPEC 108-2482	SIZE CAGE CODE DRAWING NO RESTRICTED TO	
0 PLC ±	1 PLC ±	APPLICATION SPEC 114-32025	A200779 C-2102351	
2 PLC ±	3 PLC ±.005 [0.13]	WEIGHT -	SCALE 5:1 SHEET 2 OF 2 REV G	
4 PLC ±	ANGLES ±	CUSTOMER DRAWING		
MATERIAL -	FINISH -			