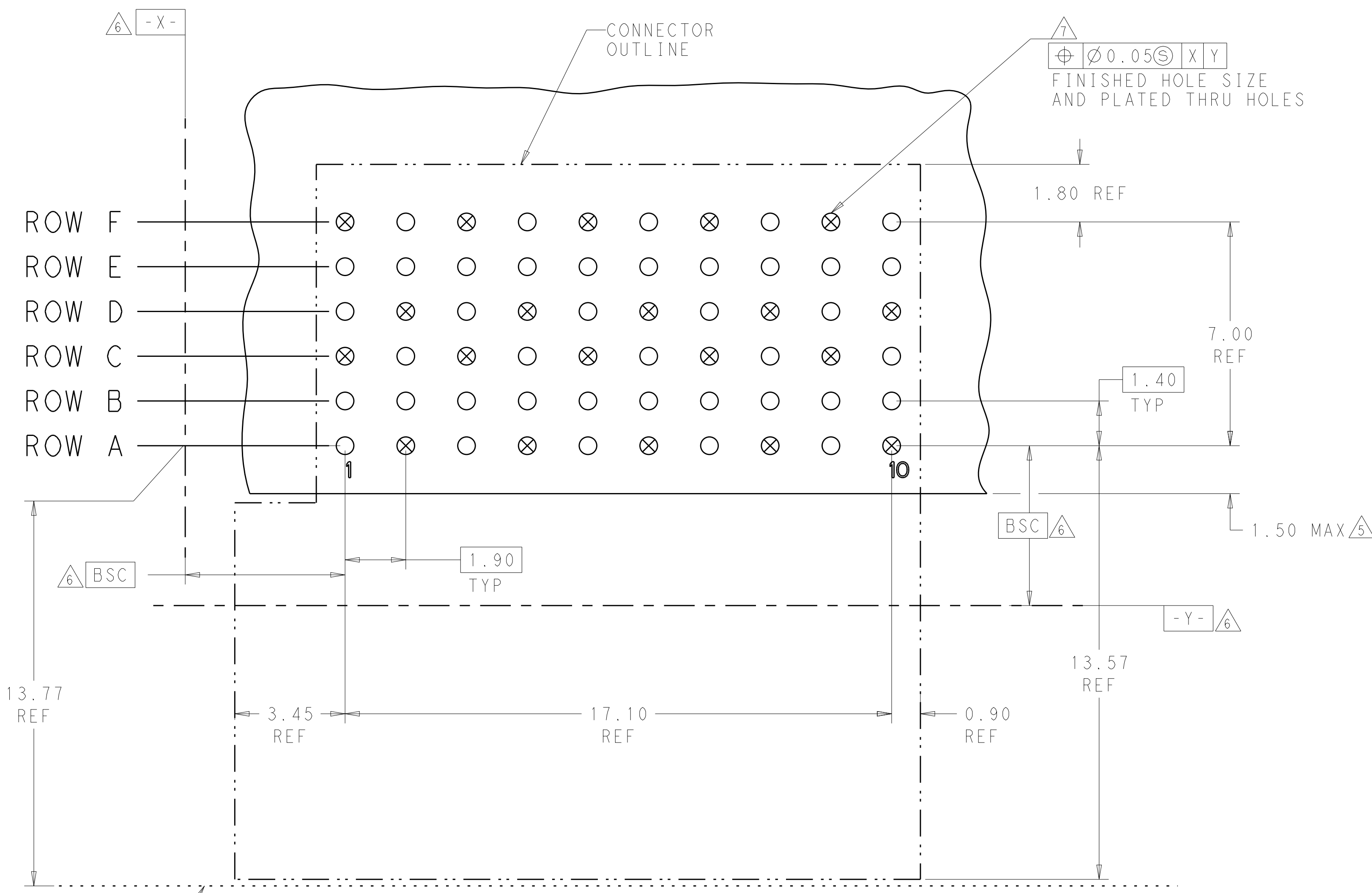


LOC	DIST	REV	DATE	BY	CHKD	APVD
A		REV PER ECO 12-018102	10-19-12	CT	DH	
B		ECO-13-004759	01APR2013	KG	DH	
C		REVISED PER ECO-14-014385	20NOV14	MGM	CT	



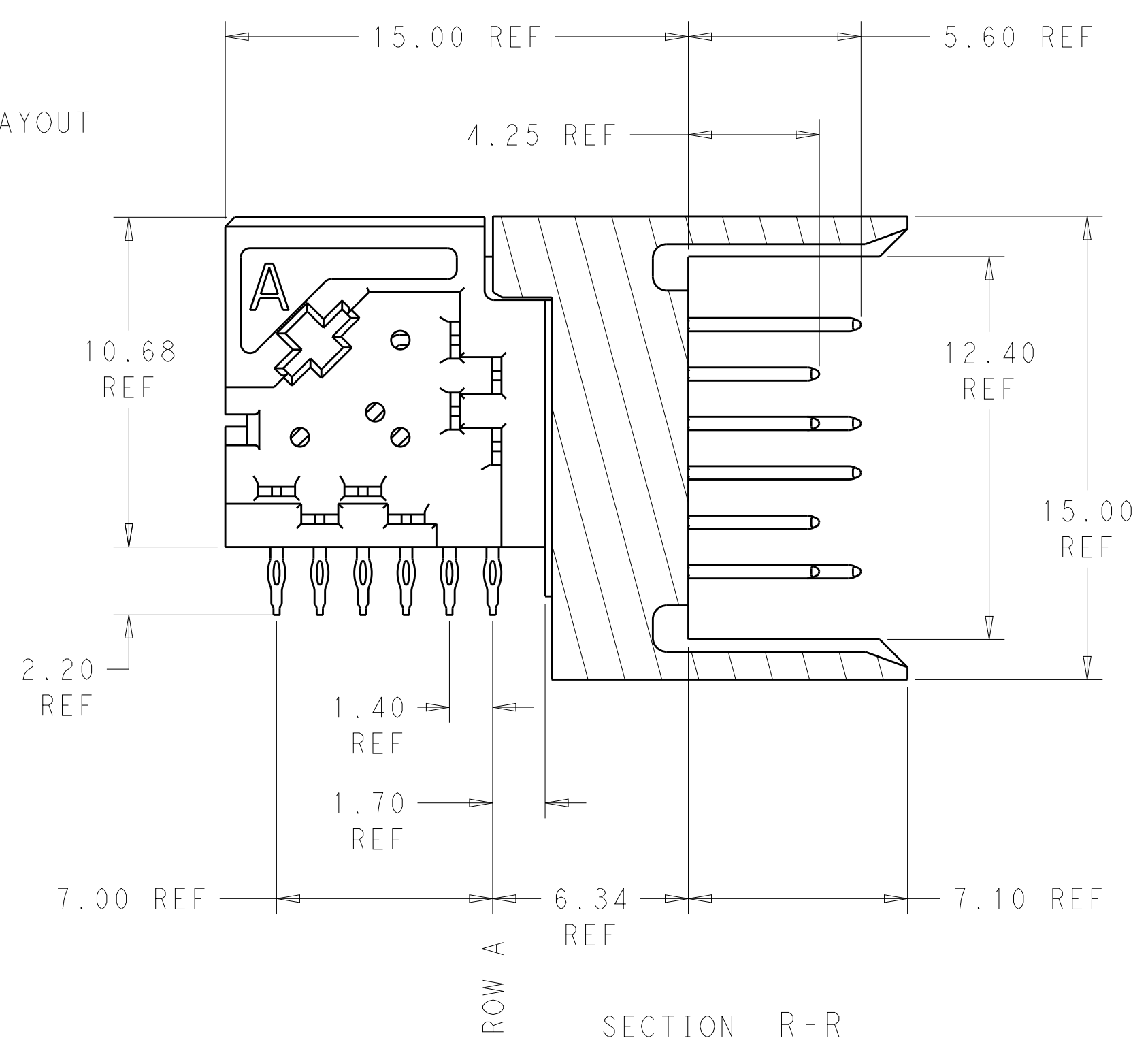
TOP OF MOTHER BOARD PCB

○ = SIGNAL
 ⊗ = GROUND

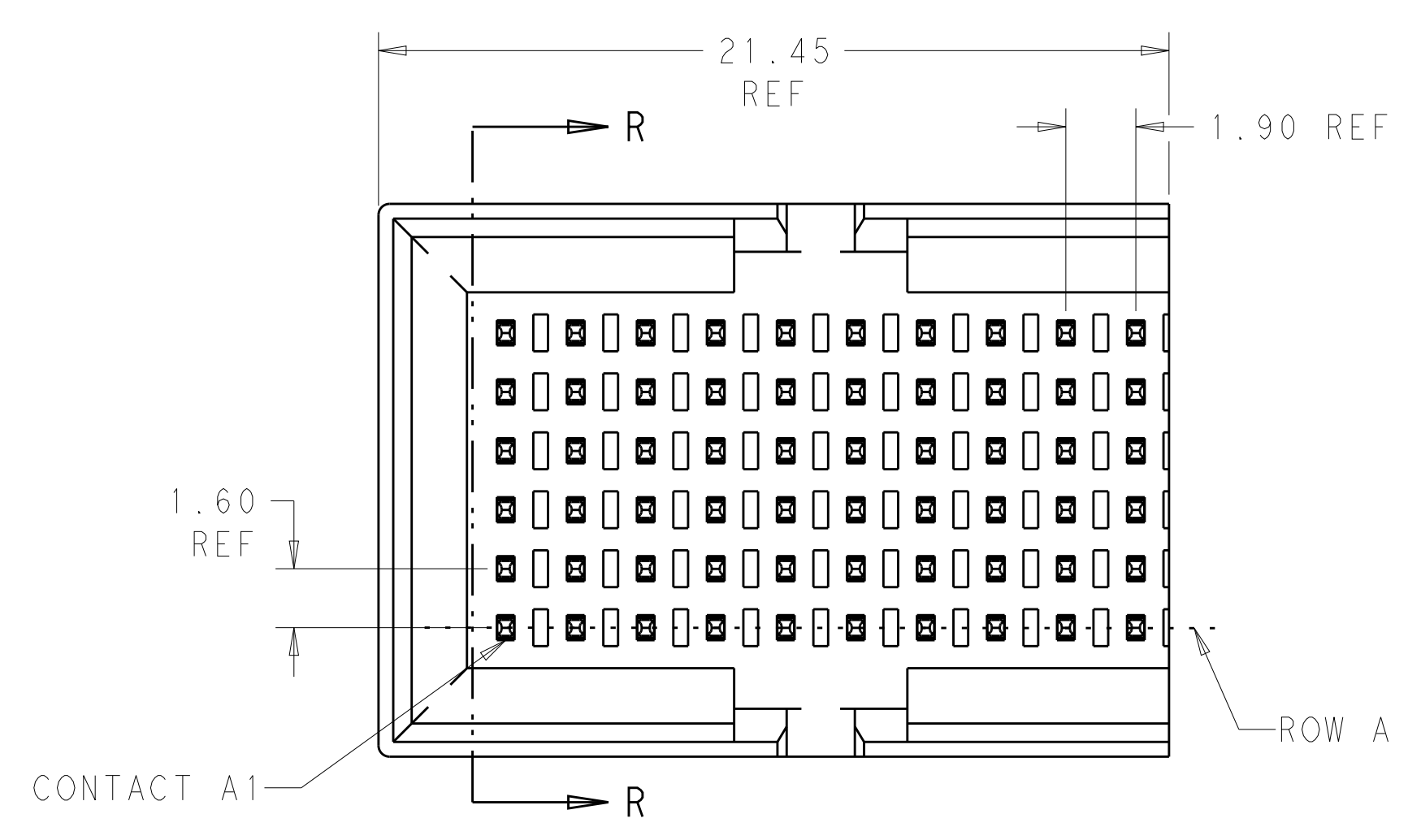
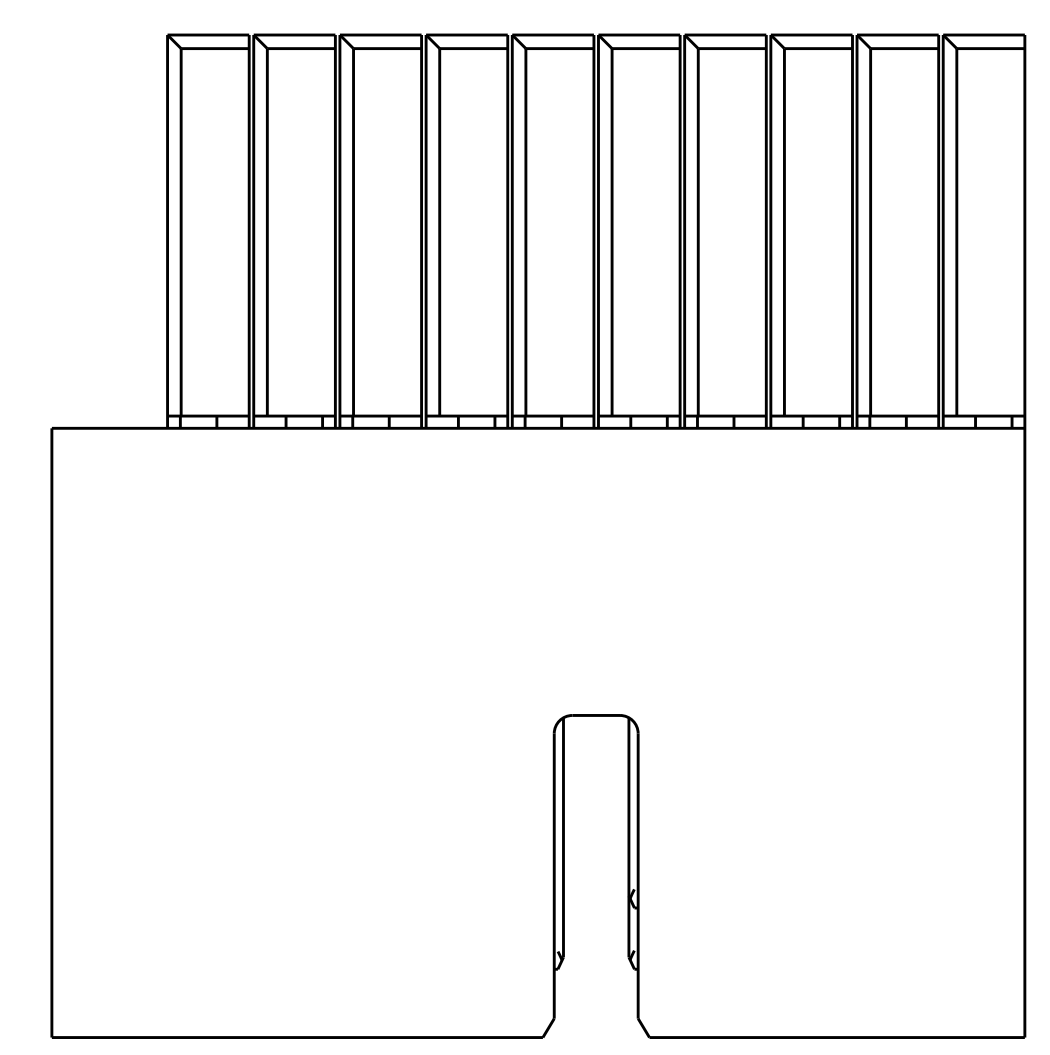
RECOMMENDED DIFFERENTIAL PAIR PC BOARD LAYOUT
 COMPONENT SIDE SHOWN
 SCALE 10:1

- 1 MATERIAL:
CONTACT AND SHIELD: COPPER ALLOY
HOUSING AND CHICKLET: LCP, COLOR: BLACK
- 2 FINISH:
CONTACT: MATING AREA: 1.27µm MIN GOLD OVER
1.27µm MIN NICKEL
SHIELD: 1.27µm MIN NICKEL
- 3 FINISH:
COMPLIANT PIN AREA: 0.5µm MIN BRIGHT TIN LEAD OVER
1.27µm MIN NICKEL
- 4 FINISH:
COMPLIANT PIN AREA: 0.5µm MIN MATTE TIN OVER
1.27µm MIN NICKEL
- 5 --

- 6 DIMENSION APPLIES TO CENTERLINE OF THRU HOLE.
- 7 DATUMS AND BASIC DIMENSIONS ESTABLISHED BY CUSTOMER.
- 8 REFERENCE APPLICATION SPEC 114-13267 FOR RECOMMENDED PLATED THRU HOLE DIAMETER AND PLATING THICKNESS.
- 9 RECOMMENDED DIFFERENTIAL PAIR CONFIGURATION SHOWN. THE CONNECTOR UTILIZES AN OPEN PIN FIELD AND CAN BE LAID OUT IN A SINGLE-ENDED CONFIGURATION.



SECTION R-R



2	4	2012086-2
2	3	2102086-1
FINISH		PART NUMBER

THIS DRAWING IS A CONTROLLED DOCUMENT. DIMENSIONING AND TOLERANCING PER ASME Y14.5M-2009.

DIMENSIONS:	TOLERANCES UNLESS OTHERWISE SPECIFIED:	DWN: D. BELACK 24NOV2010	NAME: Fortis Zd, 2-PAIR, 10-COLUMN, R/A LEFT MODULE ASSEMBLY
mm	0 PLC ±0.13	CHK: N. GARIBALDI 24NOV2010	PRODUCT SPEC: 108-2409
	1 PLC ±0.05	APVD: M. McALONIS 24NOV2010	APPLICATION SPEC: 114-13267
	2 PLC ±0.05		SIZE: CAGE CODE DRAWING NO: RESTRICTED TO
	3 PLC ±0.05		WEIGHT: ~6.98 g
	4 PLC ±0.05		SCALE: 6:1 SHEET 1 OF 1 REV C
	ANGLES ±0.2°		CUSTOMER DRAWING