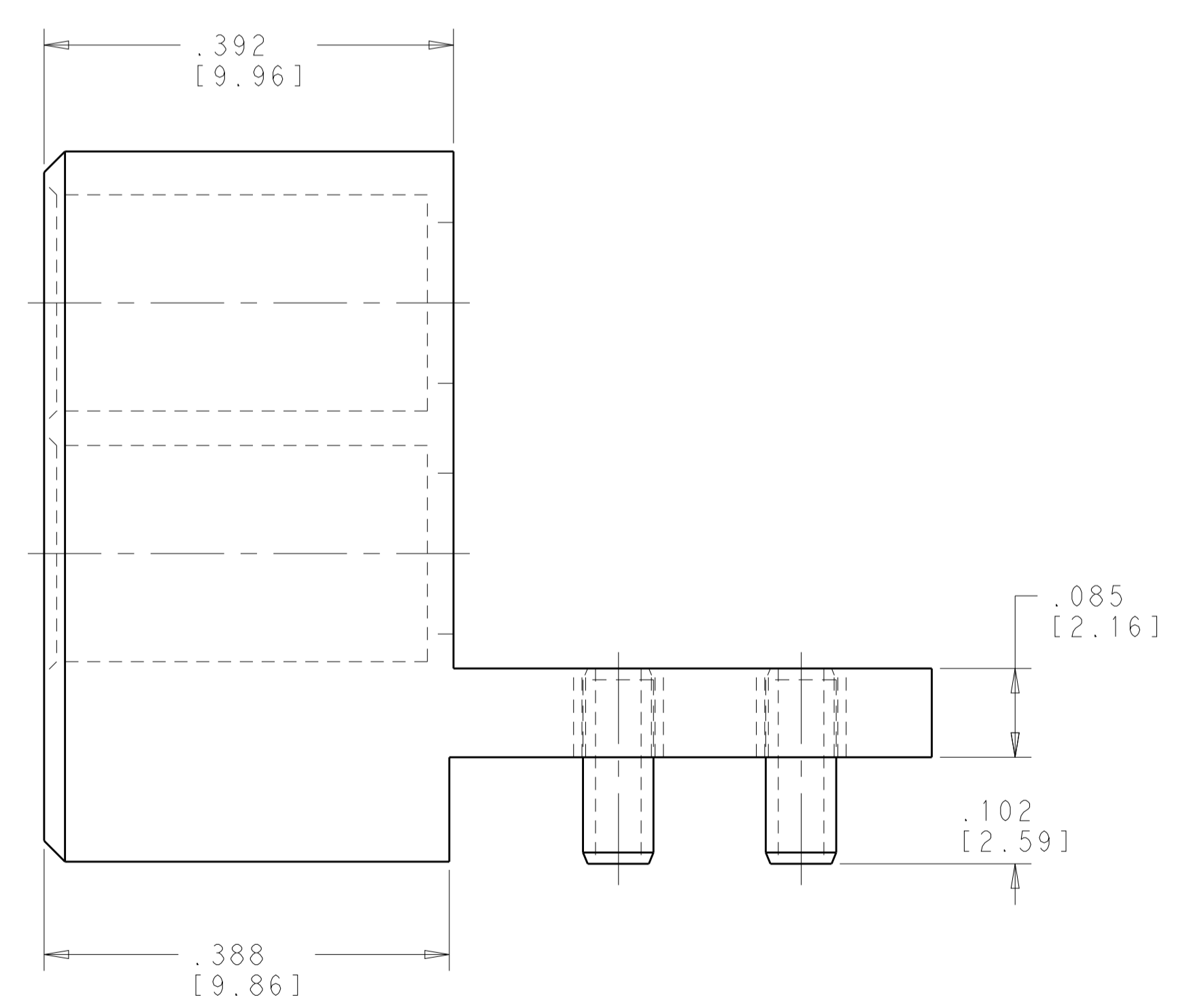
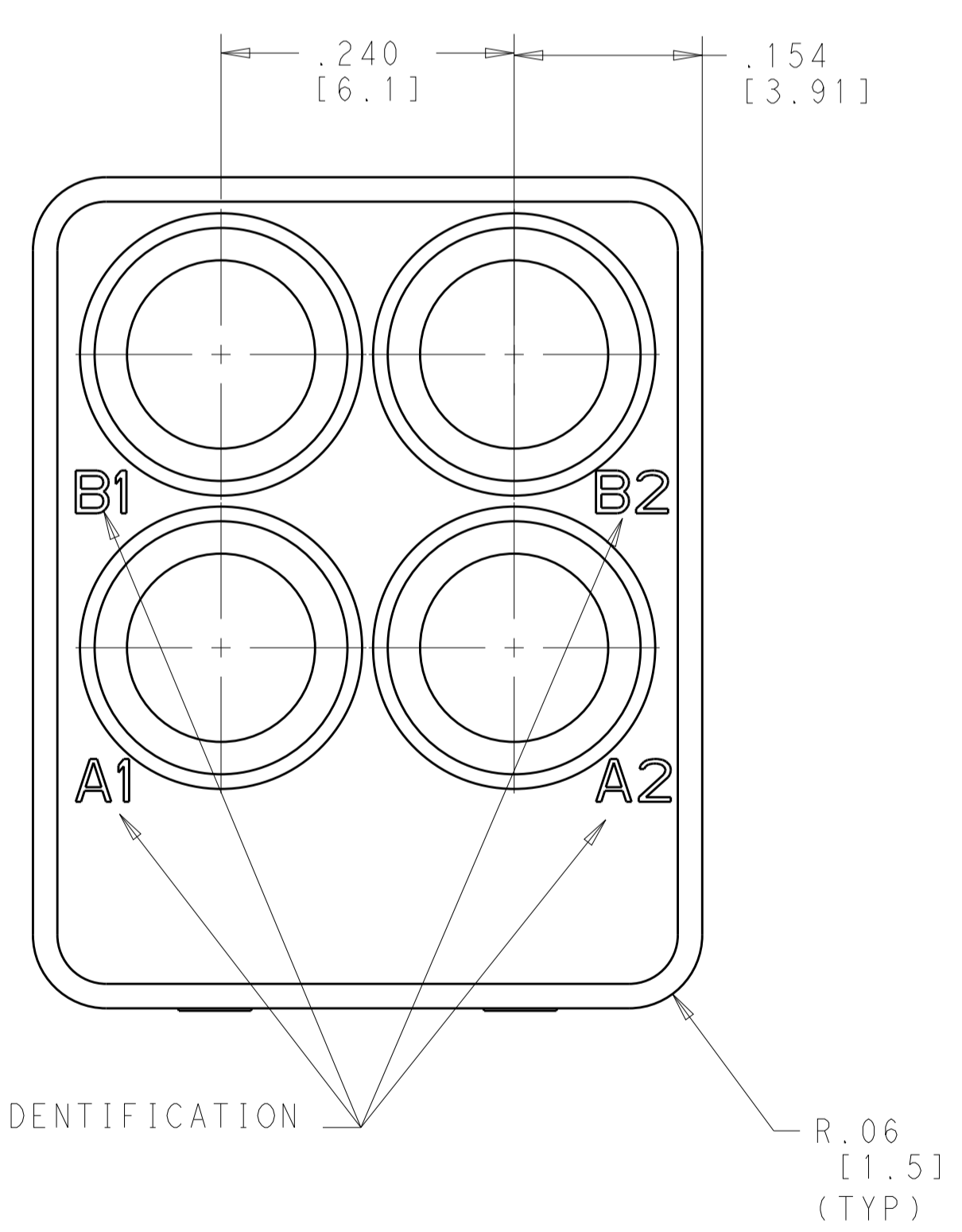
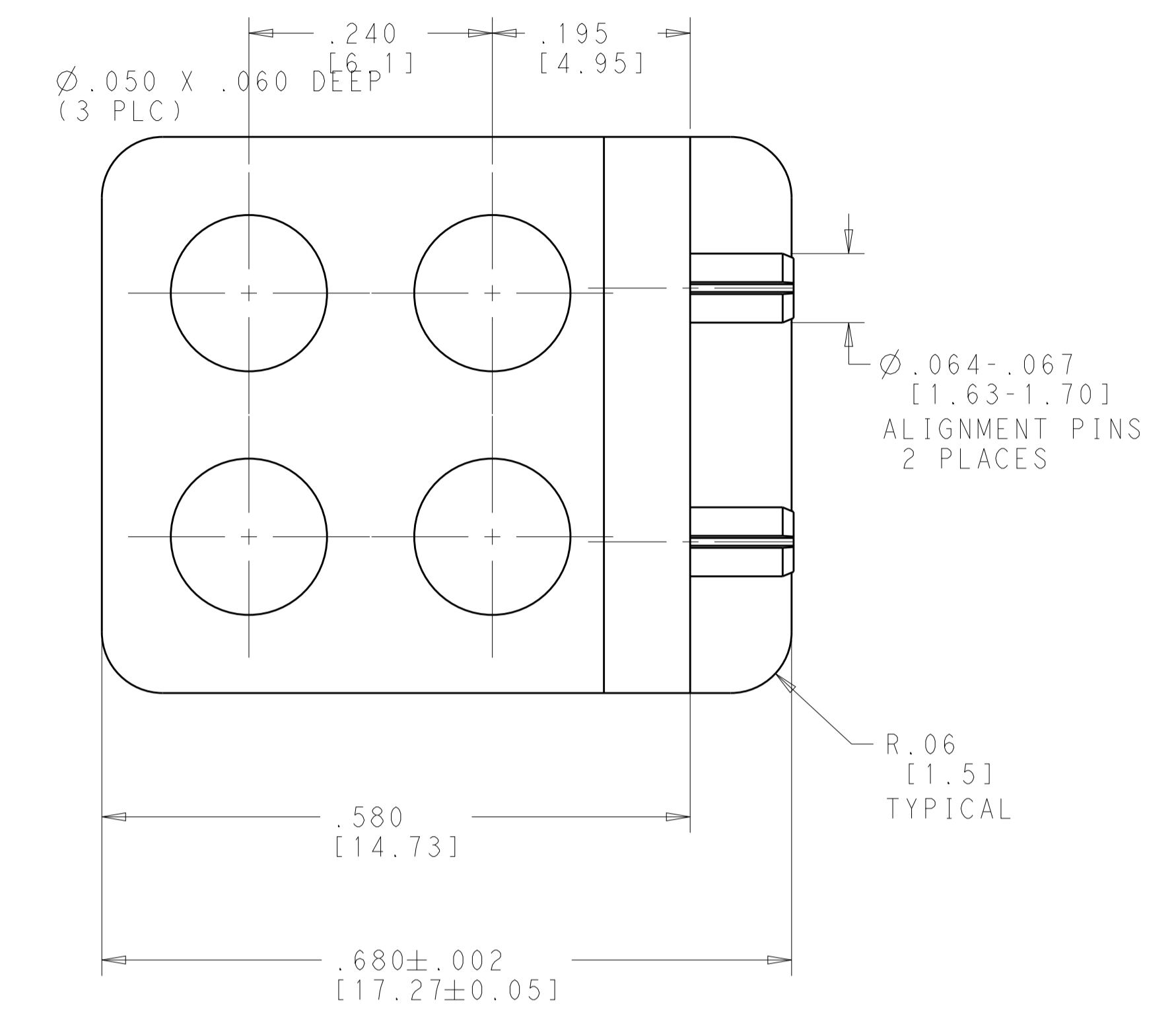
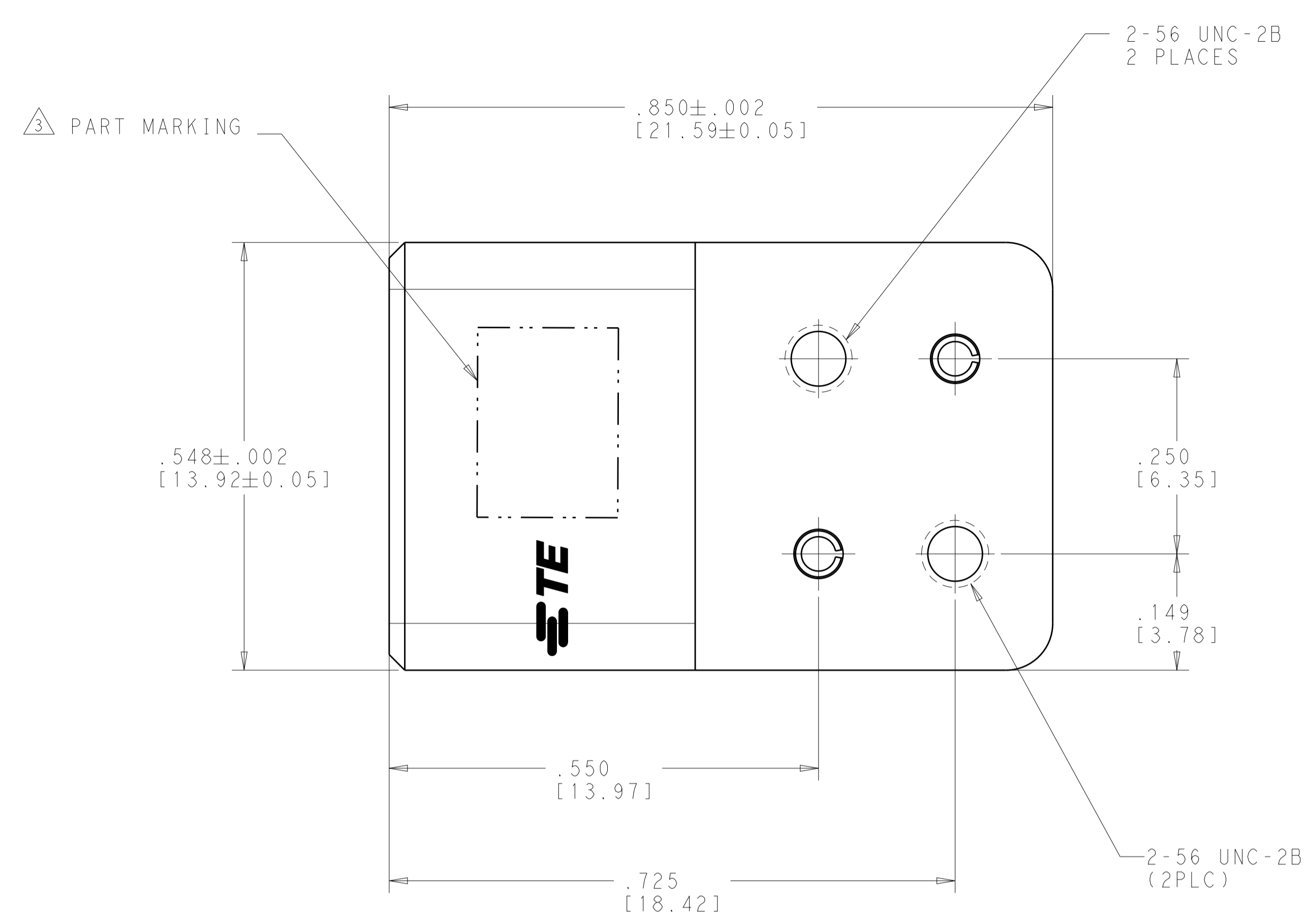
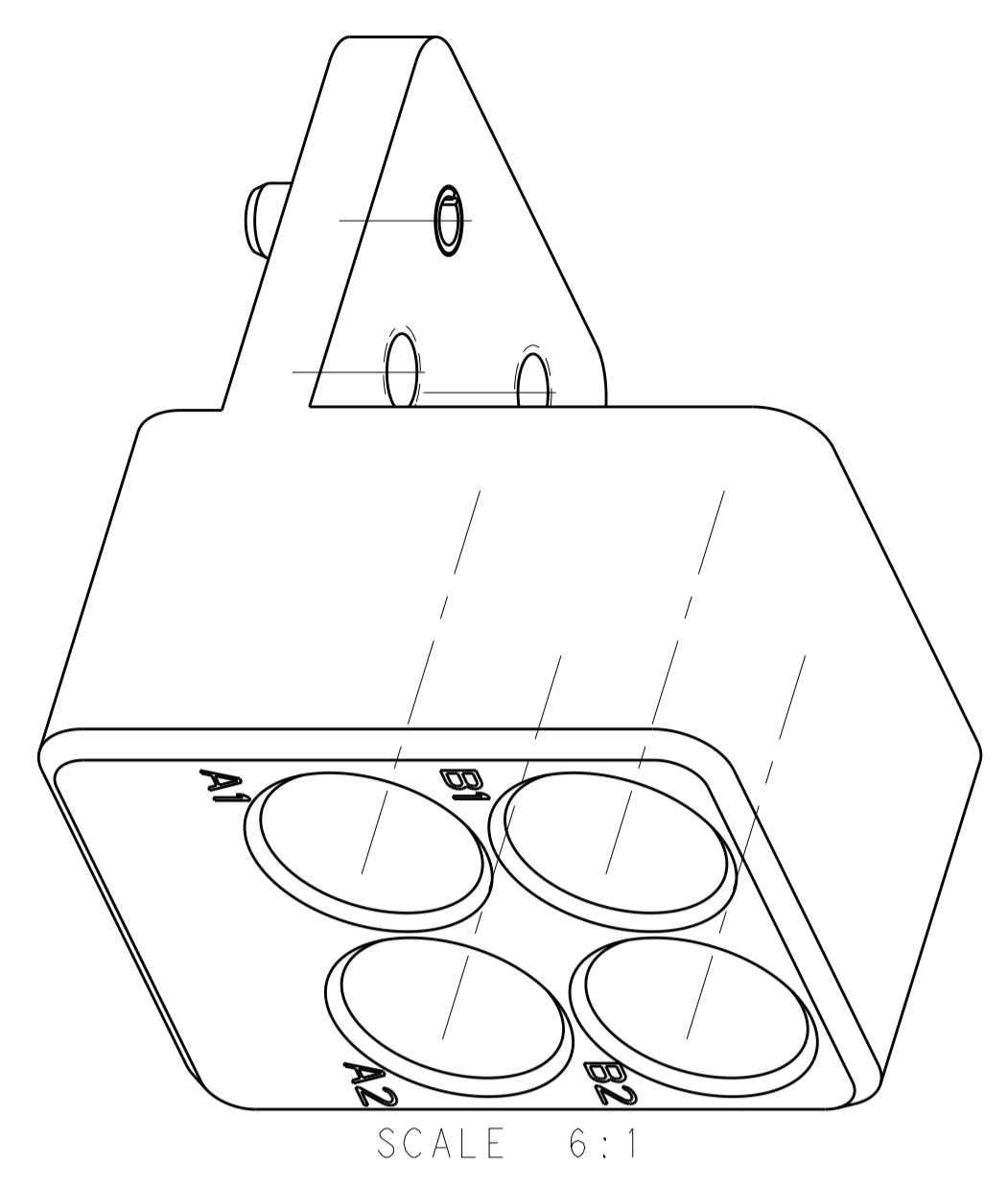


| LOC | | DIST | | REVISIONS | | | |
|-----|--|------|--|-----------|-------------|-----------|----|
| | | | | REV | PER | DATE | BY |
| | | | | E | REV PER ECO | 16-012318 | CT |



- 1 MATERIAL:
MODULE BODY - STAINLESS STEEL, PER UNS S30300
SPRING PINS - WORK HARDENED NICKEL STAINLESS STEEL
- 2 FINISH:
MODULE BODY AND SPRING PINS - PASSIVATED
- 3 PART MARKING:
TE CONNECTIVITY PART NUMBER, CAGE CODE AND DATE CODE
- 4 CAVITY IDENTIFICATION MARKING

| | | |
|---------------------------------|---------|-----------|
| 2101925-4 | 3 4 | 2101925-4 |
| --- | 4 | 2101925-3 |
| TE PART NO MARKED ON PART | MARKING | PART NO. |

THIS DRAWING IS A CONTROLLED DOCUMENT. DWN S.T. Morley 13APR2010
CHK S.T. Morley 13APR2010
APVD S.T. Morley 13APR2010

DIMENSIONS: INCHES(mm)
TOLERANCES UNLESS OTHERWISE SPECIFIED:
0 PLC ±.1
1 PLC ±.01
2 PLC ±.001
3 PLC ±.0005
4 PLC ±.0005
ANGLES ±1.0°

MATERIAL: 1 FINISH: 2

PRODUCT SPEC: S.T. Morley
APPLICATION SPEC: S.T. Morley

NAME: 4 POSITION R.F. MODULE
P.C.B. MOUNT - DAUGHTER CARD
2-56 UNC THREADED MOUNTING HOLES

SIZE: A1 CAGE CODE: 00779 DRAWING NO: 2101925 RESTRICTED TO: -
WEIGHT: -
CUSTOMER DRAWING SCALE: 8:1 SHEET 1 OF 1 REV E