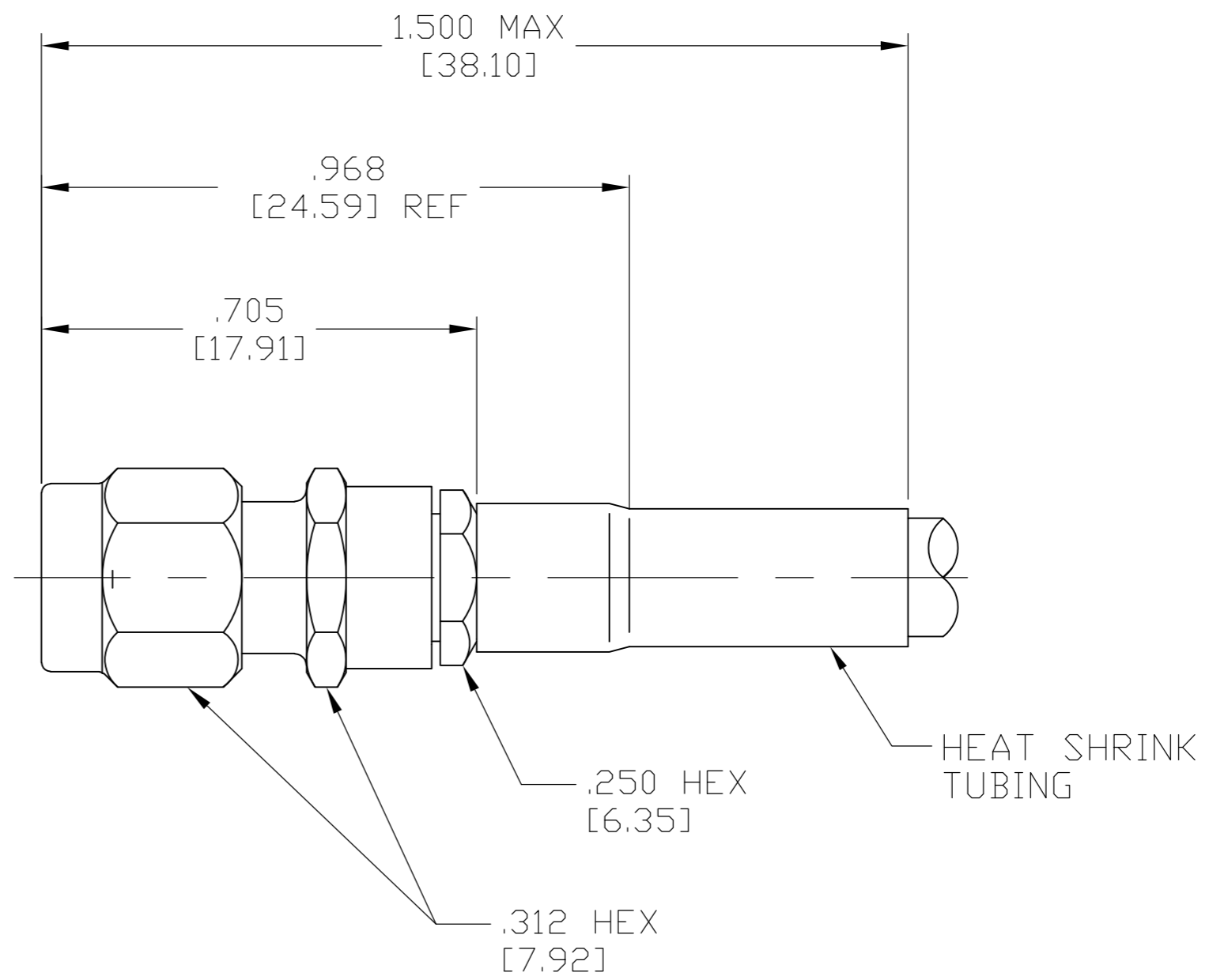


THIS DRAWING IS UNPUBLISHED. RELEASED FOR PUBLICATION
 © COPYRIGHT BY TYCO ELECTRONICS CORPORATION. ALL INTERNATIONAL RIGHTS RESERVED.

| LOC | | DIST | | REVISIONS | | | |
|-----|-----|----------------------------|---------|-----------|------|--|--|
| P | LTR | DESCRIPTION | DATE | DWN | APVD | | |
| | A | RELEASED PER ECO 10-010178 | 5-15-10 | CT | DW | | |

| COMPONENT | MATERIAL | FINISH |
|--|--|------------------------------|
| HOUSING COUPLING NUT CLAMP NUT SLEEVE | STAINLESS STEEL PER ASTM-A484 AND ASTM- A582, TYPE 303 | GOLD PLATE PER ASTM-B-488 |
| DIELECTRIC | PTFE FLUOROCARBON PER ASTM-D-1457 | N/A |
| REAR DIELECTRIC | NYLON OR ZYTEL #101 PER MIL-M-20693A | N/A |
| CENTER CONTACT | BERYLLIUM COPPER PER ASTM-B-196 OR ASTM-B-197, ALLOY C17300, CONDITION H | GOLD PLATE PER ASTM-B-488 |
| RETAINING RING | BERYLLIUM COPPER PER ASTM B 194, ALLOY C17200, CONDITION H | N/A |
| GASKET O-RING | SILICONE RUBBER PER ZZ-R-765 | N/A |
| SHRINK TUBING | HEAT SHRINKABLE POLYOLEFIN COMPOUND MIL-I-23053/4 | N/A |
| FERRULE | COPPER OR BRASS ALLOY ROCKWELL F65 MAXIMUM | GOLD PLATE PER ASTM-B-488 |

1. PARTS SHIPPED UNASSEMBLED.



| ELECTRICAL | MECHANICAL | ENVIRONMENTAL |
|--|---|---|
| Nominal Impedance (Ohms) 50 | Interface Dimensions MIL-STD-348A, Fig. 310.1 | TEMPERATURE RATING -65°C TO +165°C |
| Frequency Range (GHz) DC to 4.0 | Recommended Mating Torque 7-10 IN-LB | Vibration MIL-STD-202, Method 204, Condition D |
| Volt Rating (VRMS MAX) @ Sea Level 335 | Mating Characteristics: | Shock MIL-STD-202, Method 213, Condition I |
| VSWR 1.15+.02 f(GHz) | Insertion (MAX Lbs) N/A | Thermal Shock MIL-STD-202, Method 107, Condition C, |
| Insertion Loss (dB MAX) .06√f(GHz) | Withdrawal (MIN Oz) N/A | Moisture Resistance MIL-STD-202, Method 106, |
| RF Leakage (dB MIN) -[60-f(GHz)] | Force to Engage and Disengage (In-Lbs MAX) 2 | Corrosion - MIL-STD-202, Method 101, Condition B, 5% salt spray |
| Corona, 70,000 Ft (VRMS MIN) 190 | Center Contact Captivation | |
| Dielectric Withstanding Voltage (VRMS MIN) @ Sea Level 750 | Axial (Lbs) 6.0 | |
| Contact Resistance (Milliohms MAX) | Radial (In-Oz) N/A | |
| Center Contact 3.0 | Cable Retention | |
| Outer Contact 2.0 | Axial Force (Lbs) 20 MIN | |
| Cable to Housing 0.5 | Torque (In-Oz) N/A | |
| RF High Potential @ Sea Level (VRMS MIN @ 5 MHz) 500 | Weight (Grams) TBD | |
| I.R.(Megohms MIN) 5,000 | | |

| DESIGNED FOR USE WITH RG-195/U OR EQUIVALENT CABLE ENTRY DIAMETER MINIMUM | |
|---|-------------|
| CONTACT | .021 [0.53] |
| SLEEVE | .105 [2.67] |
| CLAMP NUT | .179 [4.55] |

| | | | | |
|--|--|------------------------|--|--|
| THIS DRAWING IS A CONTROLLED DOCUMENT. | | DWN C.C.THOMAS 5-15-10 | Tyco Electronics Corporation Harrisburg, PA 17105-3608 | |
| DIMENSIONS: INCHES [mm] | | CHK D.WILSON 5-18-10 | NAME SMA STRAIGHT CABLE PLUG KIT, CRIMP ATTACHMENT | |
| TOLERANCES UNLESS OTHERWISE SPECIFIED: | | APVD D.WILSON 5-18-10 | PRODUCT SPEC 408-04812 | |
| 0 PLC ± - | | APPLICATION SPEC | | |
| 1 PLC ± - | | WEIGHT - | | |
| 2 PLC ± - | | SCALE 4:1 | | |
| 3 PLC ± .005 [0.13] | | SHEET 1 of 1 | | |
| 4 PLC ± - | | REV A | | |
| ANGLES ± - | | CUSTOMER DRAWING | | |
| FINISH SEE TABLE | | RESTRICTED TO | | |

2101903-1
PART NUMBER