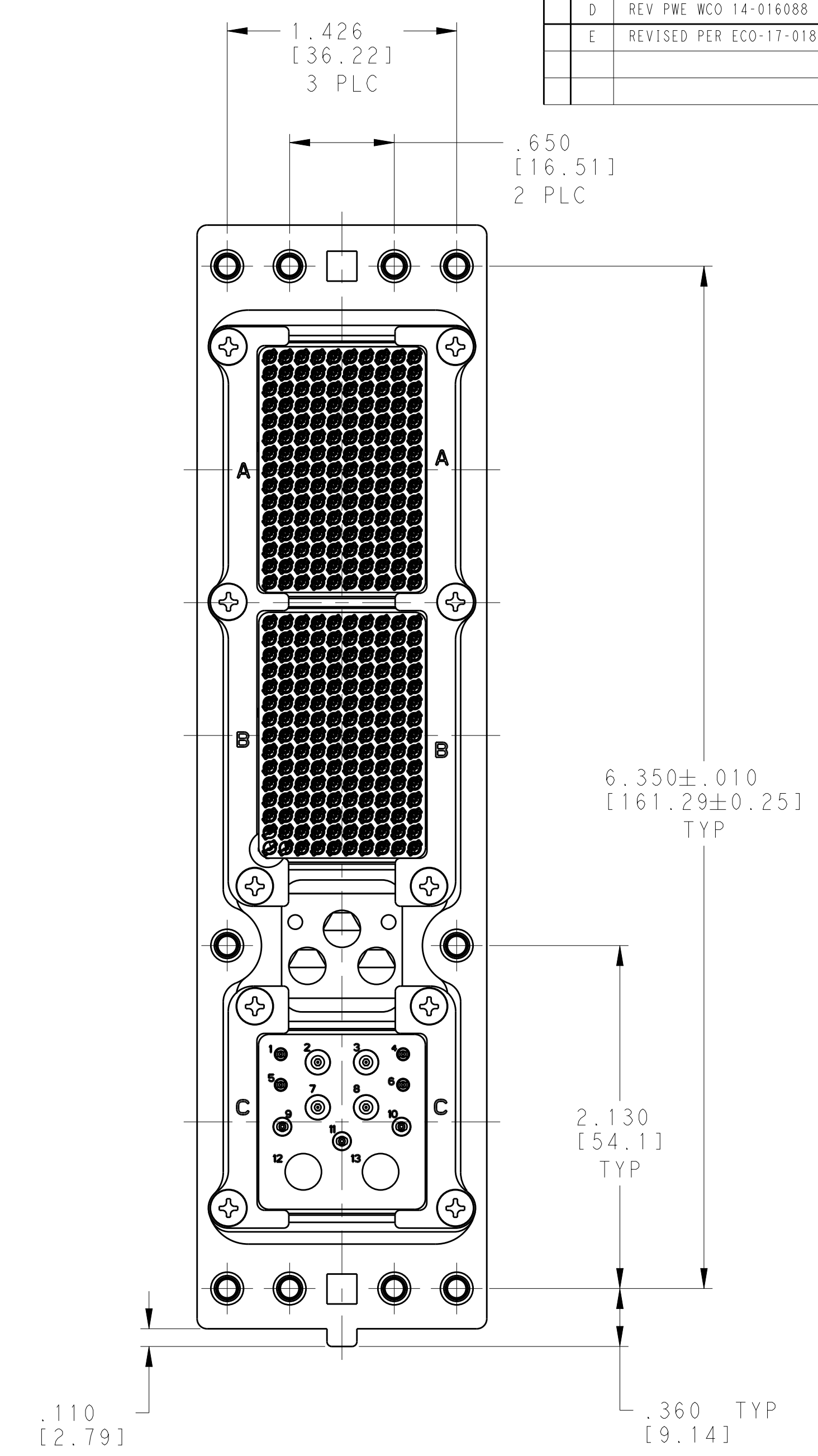
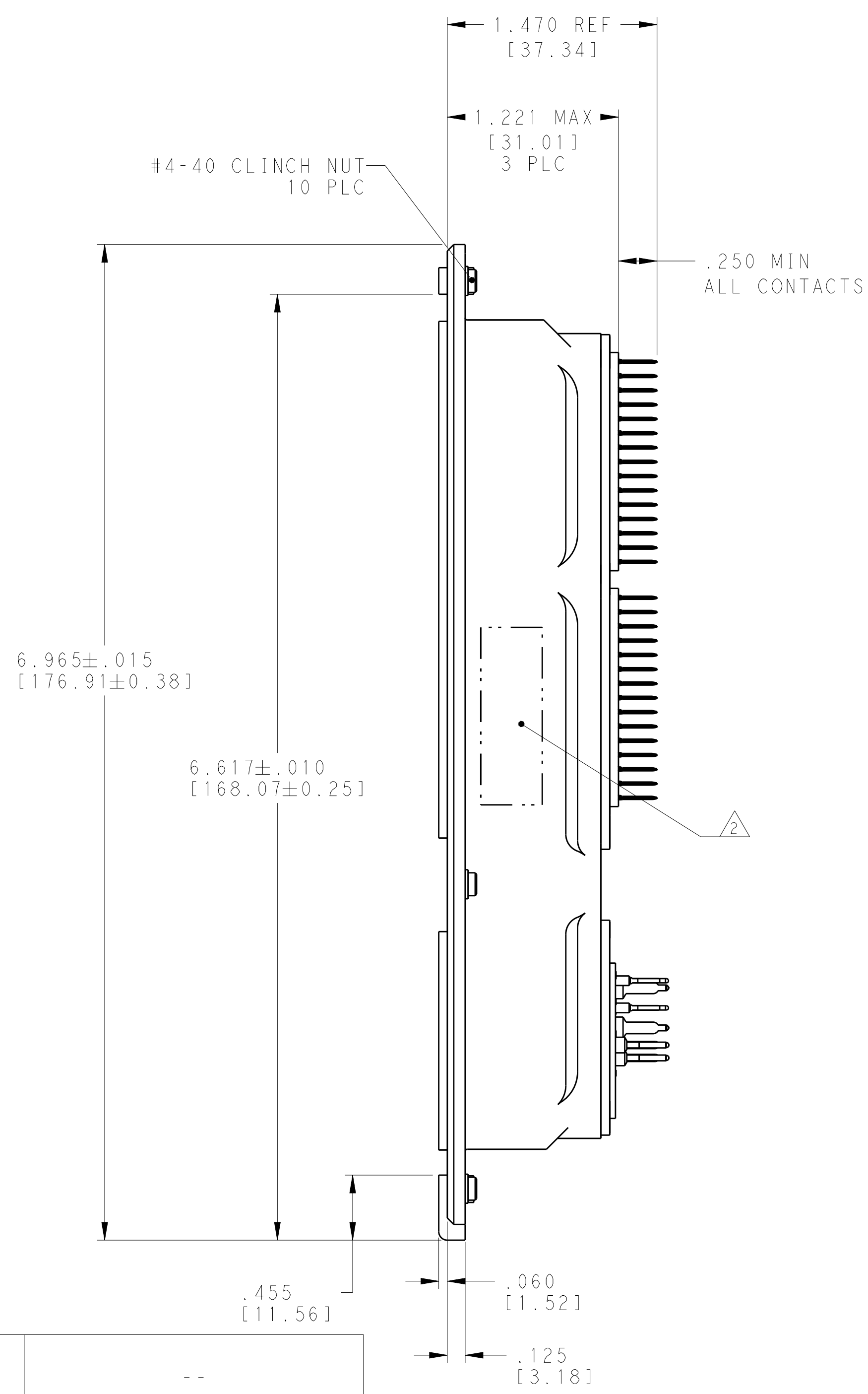
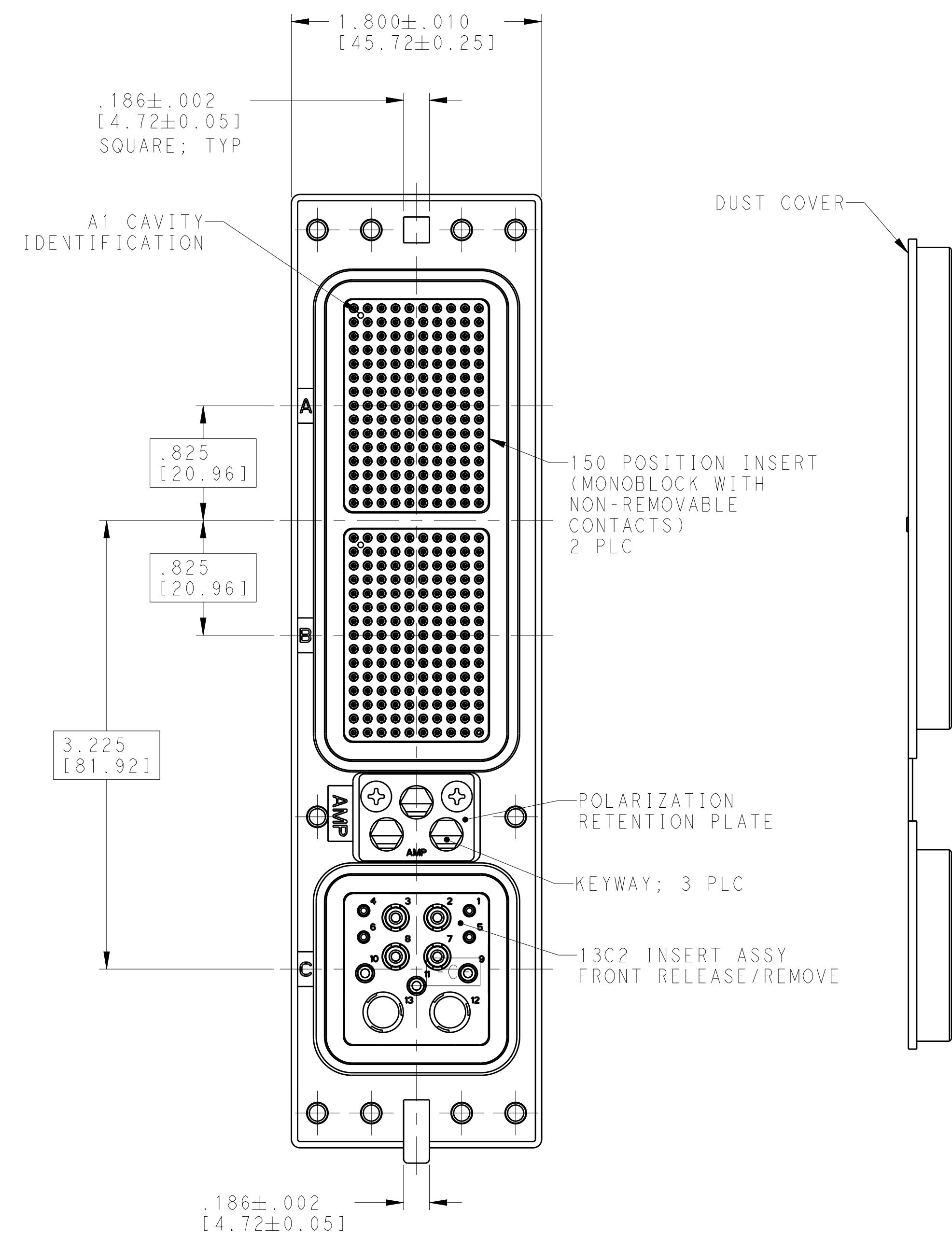


REVISIONS				
P.	LTN.	DESCRIPTION	DATE	APVD.
D	REV PWE WCO	14-016088	10-23-14	CT WB
E	REVISED PER ECO-17-018523		19JAN2016	PHM CT



COMPONENT	MATERIAL	FINISH	REMARKS
FLAT HEAD SCREWS	STEEL OR STAINLESS STEEL	STAINLESS STEEL OR PASSIVATED	--
SIZE 22 STAMPED AND FORMED SOCKET CONTACTS QTY = 300	BODY: COPPER ALLOY HOOD: STAINLESS STEEL	BODY: .000050 [0.00127] MIN GOLD ON MATING TINES, TIN ON TAIL, BOTH OVER NICKEL PLATE HOOD: PASSIVATED	NON REMOVEABLE (150 POSN. INSERTS)
150 POSITION INSERT 2 PLC	THERMOPLASTIC	NONE	ONE PIECE DESIGN WITH NON-REMOVABLE CONTACTS
13C2 POSITION INSERT	THERMOSET	--	ALL FRONT RELEASE/REMOVE
POLARIZATION KEYWAY	ZINC ALLOY PER ASTM-B-86	--	--
KEYWAY RETAINER PLATE	ALUMINUM ALLOY	BLUE ANODIZED PER MIL-A-8625	--
#4-40 CLINCH NUT QTY = 10	STEEL	CADMIUM PLATED WITH SUPP YELLOW CHROMATE	--
SHELL AND RETENTION PLATES	ALUMINUM ALLOY PER ASTM-B-85	CHROMATE CONVERSION PER MIL-C-5541, TYPE II, CLASS 3	--

- ASSEMBLED CONNECTOR FEATURES COMPLY WITH ARINC 600 SPECIFICATION EXCEPT AS NOTED.
- MANUFACTURERS PART NO. AND DATE CODE (YY-WW) MARKED IN AREA SHOWN.
- KEYING SHOWN IN POSITION "01" FOR REFERENCE ONLY. SEE TABLE FOR KEYING POSITION. FOR POSITION "00" KEYING SHIPPED UNASSEMBLED.
- THE FOLLOWING CONTACTS FOR THE 13C2 POSITION INSERT ARE INCLUDED AND INSTALLED:  
 SIZE 20 POSTED PIN CONTACT; TE PART NO. 1-448138-5; QTY = 4  
 SIZE 16 POSTED PIN CONTACT; TE PART NO. 1-448139-1; QTY = 3  
 SIZE 12 POSTED PIN CONTACT; TE PART NO. 448140-3; QTY = 4
- CONNECTOR IS SUPPLIED WITH A DUST COVER INSTALLED FOR SHIPPING.

KEYING POSITION	PART NUMBER
"00"	2101697-2
"01"	2101697-1

THIS DRAWING IS A CONTROLLED DOCUMENT. DIMENSIONS: [INCHES][mm]. TOLERANCES UNLESS OTHERWISE SPECIFIED: 0 PLC ±, 1 PLC ±, 2 PLC ±, 3 PLC ±.005 (0.13), 4 PLC ±, ANGLES ±, FINISH SEE TABLE. MATERIAL SEE TABLE. WEIGHT -. CUSTOMER DRAWING. SCALE 3:2. SHEET 1 OF 1. REV E.

OWN: C.C. THOMAS 8-30-10  
 CH: K. HOGAN 8-30-10  
 APVD: K. HOGAN 8-30-10  
 NAME: RECEPTACLE ASSY, SIZE 2, ARINC 600 (150/150/13C2) WITH STAMPED AND FORMED SIGNAL CONTACTS  
 SIZE: A1  
 CAGE CODE: 00779  
 DRAWING NO: 2101697