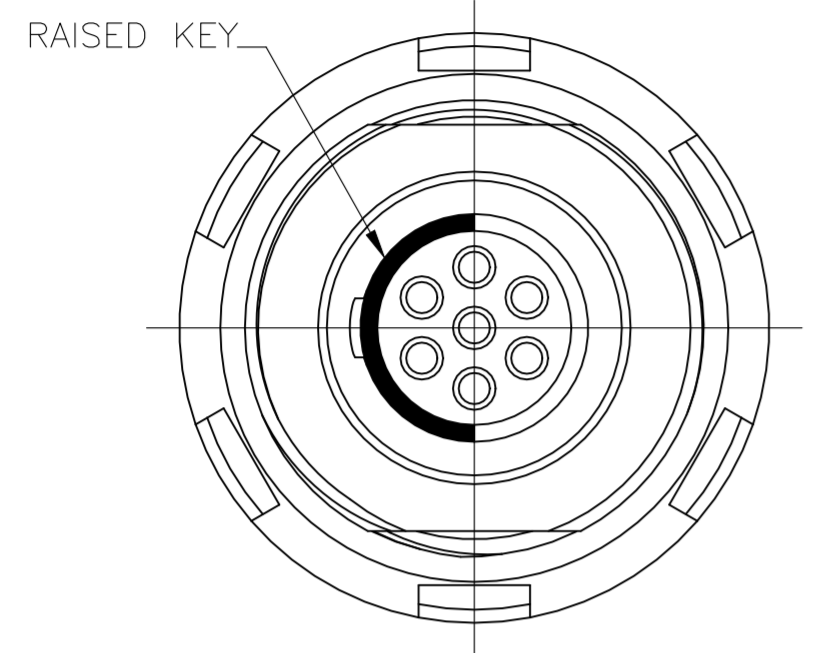
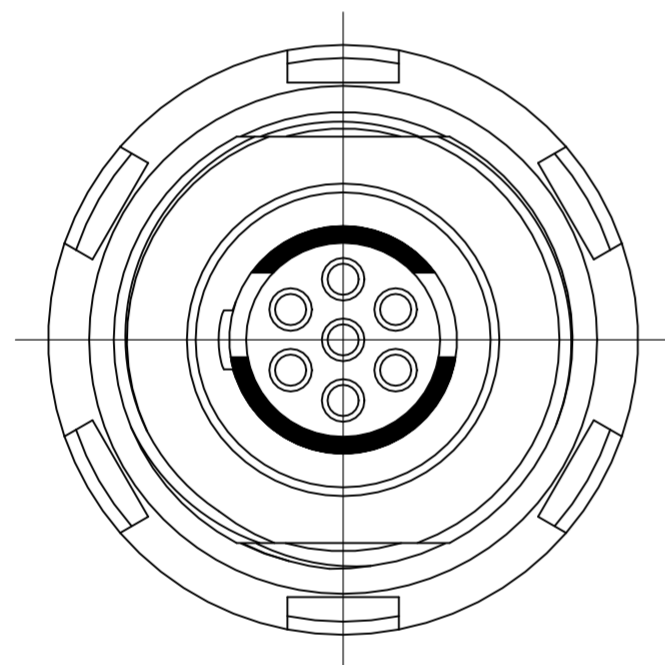


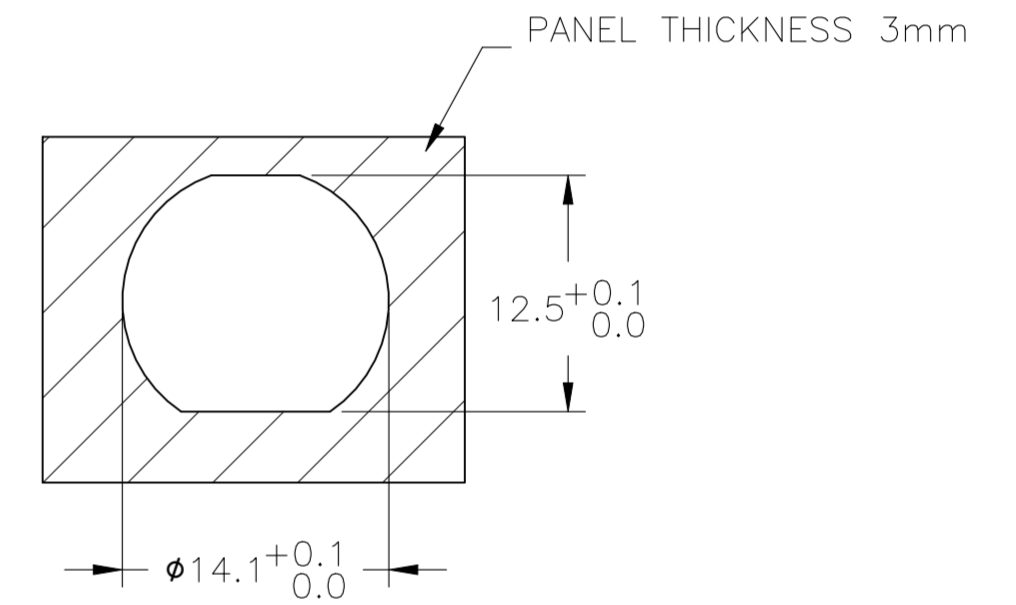
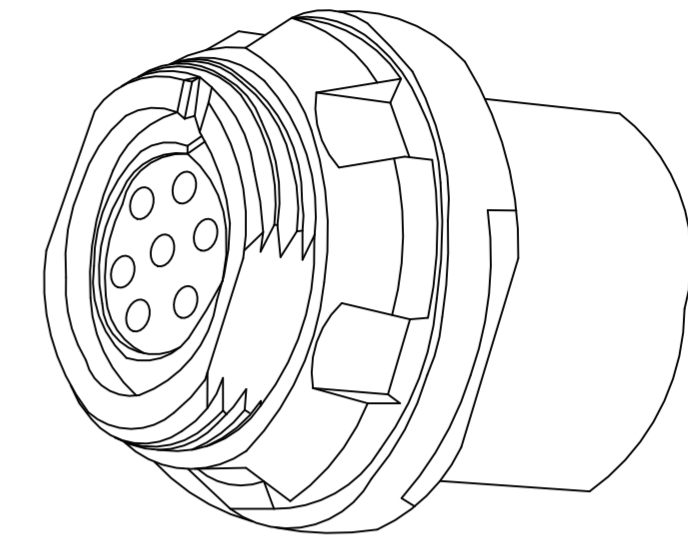
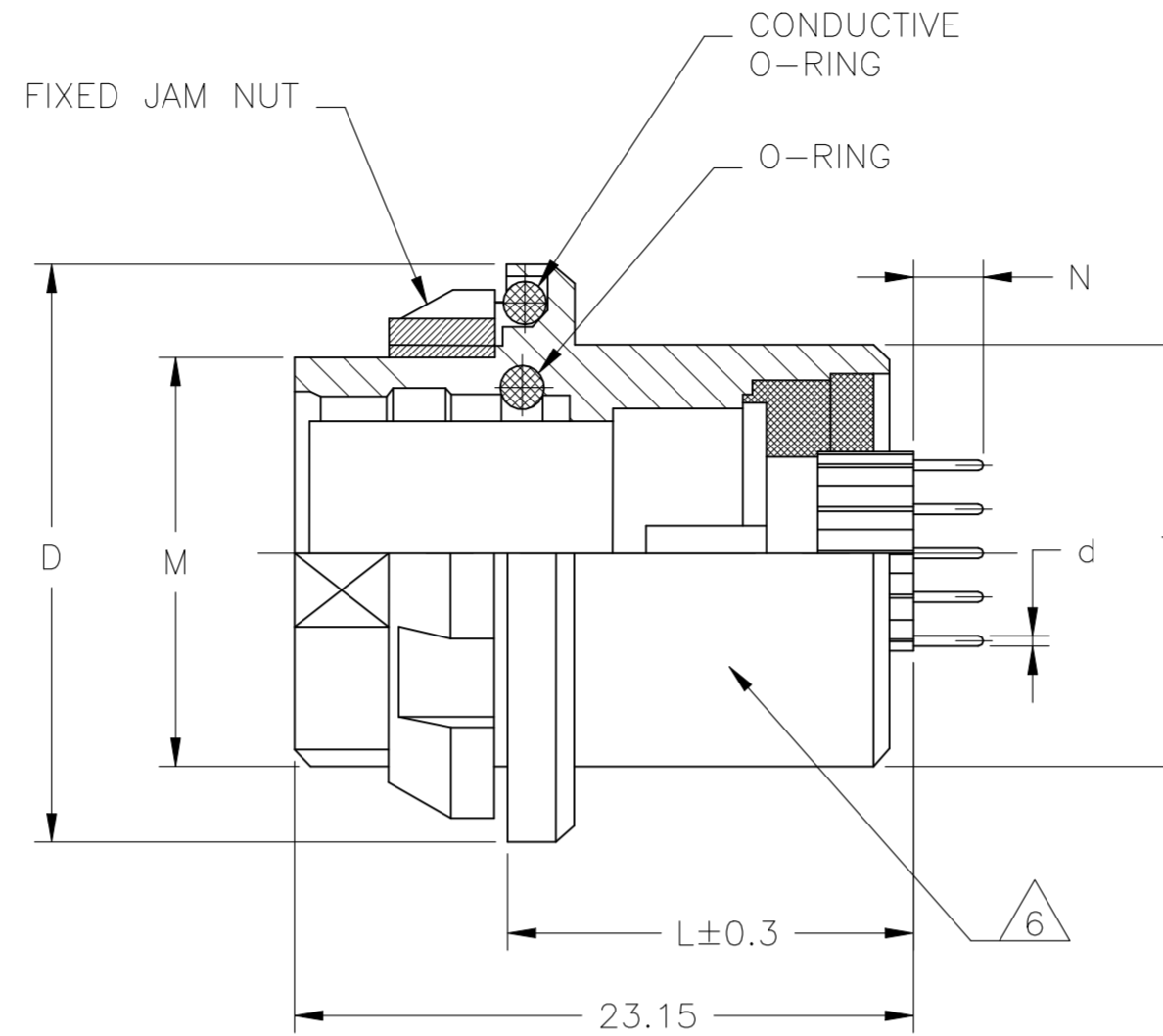
REVISIONS					
P	LTR	DESCRIPTION	DATE	DWN	APVD
D		REVISED PER ECO-20-012256	05FEB2021	LN	CT



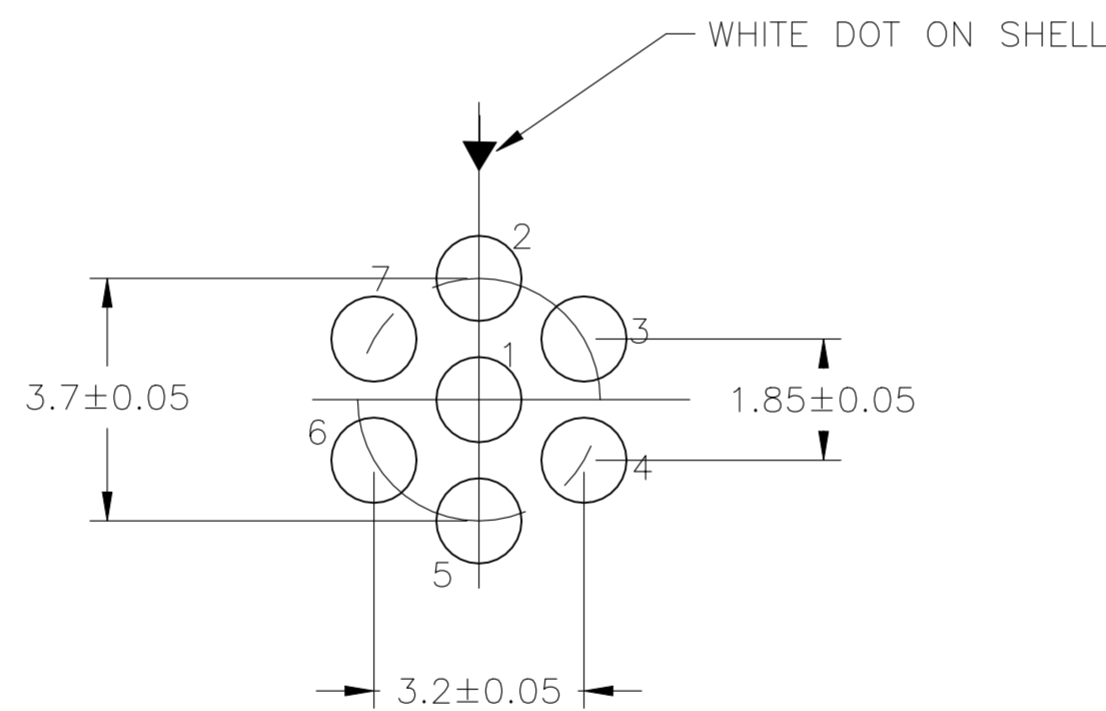
SINGLE POLARIZATION



DOUBLE POLARIZATION



PANEL CUTOUT



CAVITY IDENTIFICATION WHEN VIEWED FROM REAR OF CONNECTOR

- 1. DWV RATING: 875VAC @ SEA LEVEL
- 2. WORKING TEMPERATURE: -55°C ~ +125°C

3 MATERIAL:
 CONTACT : COPPER ALLOY
 SHELL : COPPER ALLOY
 INSULATOR : PEEK
 O RING : SILICON RUBBER

4 FINISH
 CONTACT: GOLD OVER NICKEL
 SHELL : BLACK CHROMIUM

- 5. WATER PROOF: 1M IMMERSION

6 PART IS MARKED WITH THE TE PART NUMBER, CHINA, DATE CODE AND LOT ID

7 ALL TOLERANCES ±0.20 MM UNLESS NOTED.

CHROMIUM-BLACK	DOUBLE	SOLDERING	2.54	φ0.5	16.08	φ14	M14X1	φ18	2	2101553-2
CHROMIUM-BLACK	SINGLE	SOLDERING	2.54	φ0.5	16.08	φ14	M14X1	φ18	2	2101553-1
FINISH	POLARIZATION	TERMINATION	N	d	L	T	THREAD	D	SHELL SIZE	TE PART NUMBER

THIS DRAWING IS A CONTROLLED DOCUMENT.

DWN	C.C THOMAS	20AUG2009
CHK	R. GROSS	20AUG2009
APVD	R. GROSS	20AUG2009
NAME	CIRCULAR HD RECEPTACLE WITH SOCKET, JAM NUT, FRONT MOUNTING, STRAIGHT PCB 7 POS.	
PRODUCT SPEC	108-127005	
APPLICATION SPEC	-	
SIZE	A2	CAGE CODE 00779
DRAWING NO	C=2101553	
RESTRICTED TO	-	
WEIGHT	0.000000	SCALE 2:1
CUSTOMER DRAWING	SHEET 1 of 1	REV D