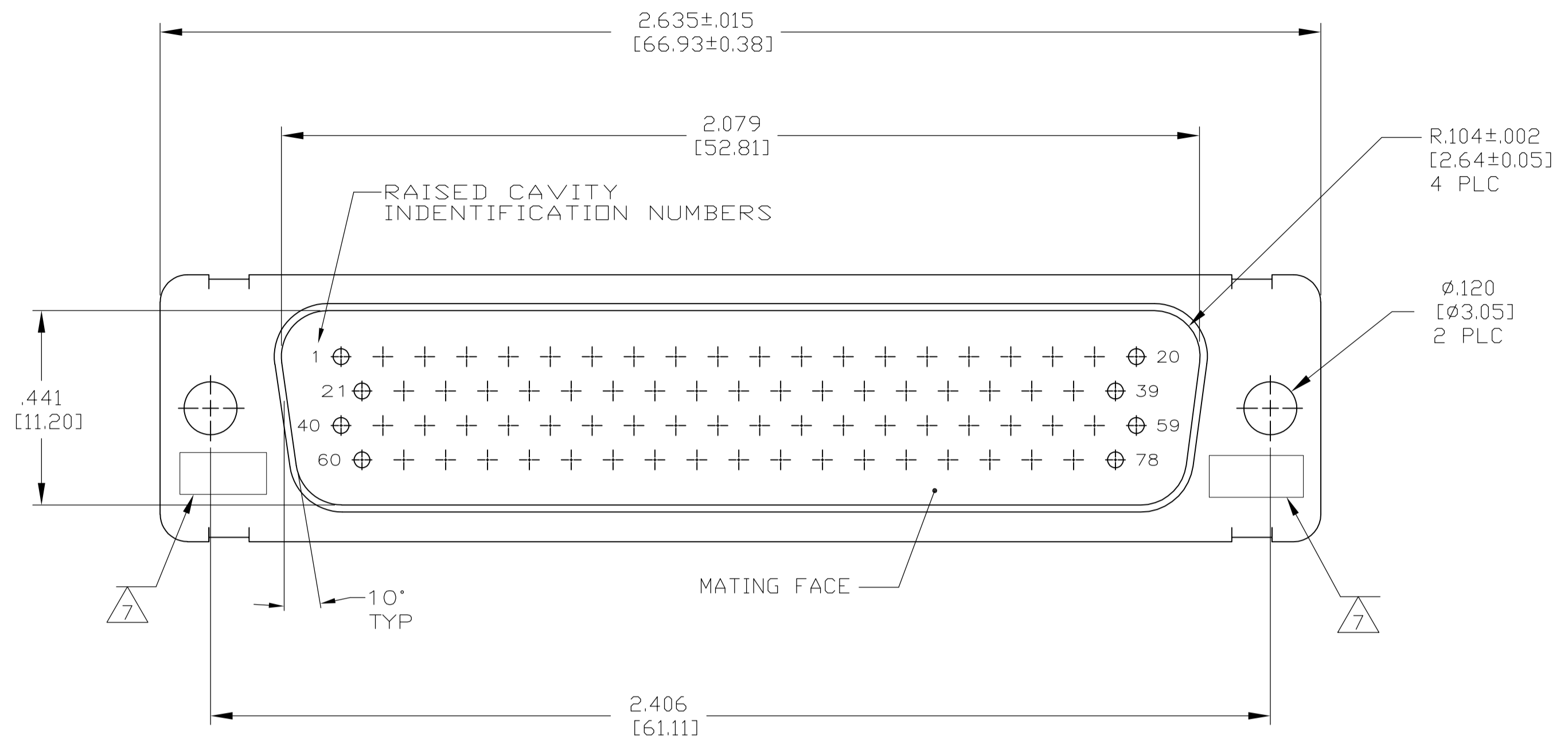
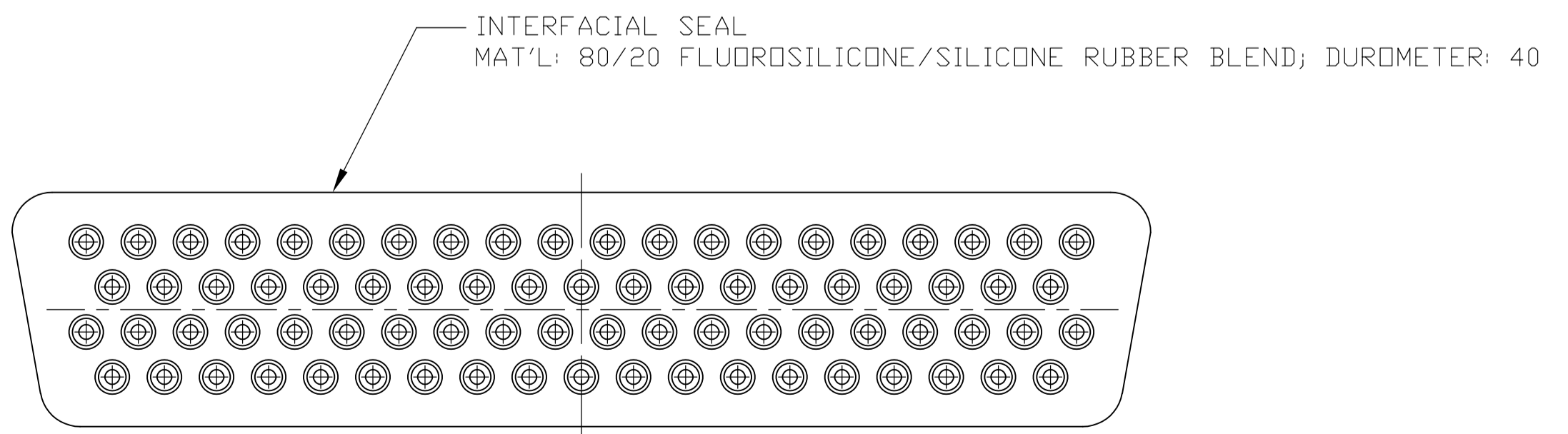
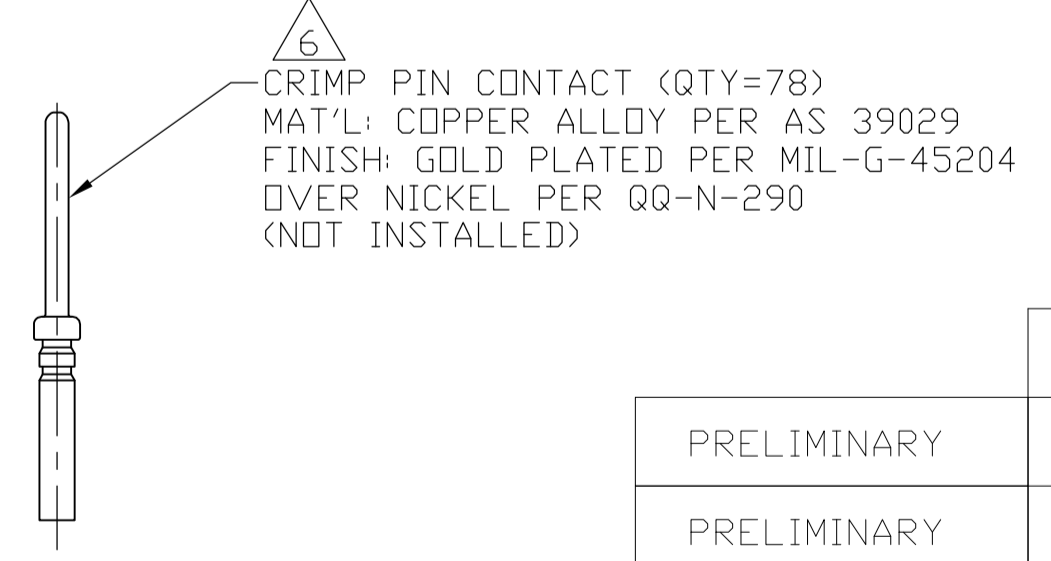
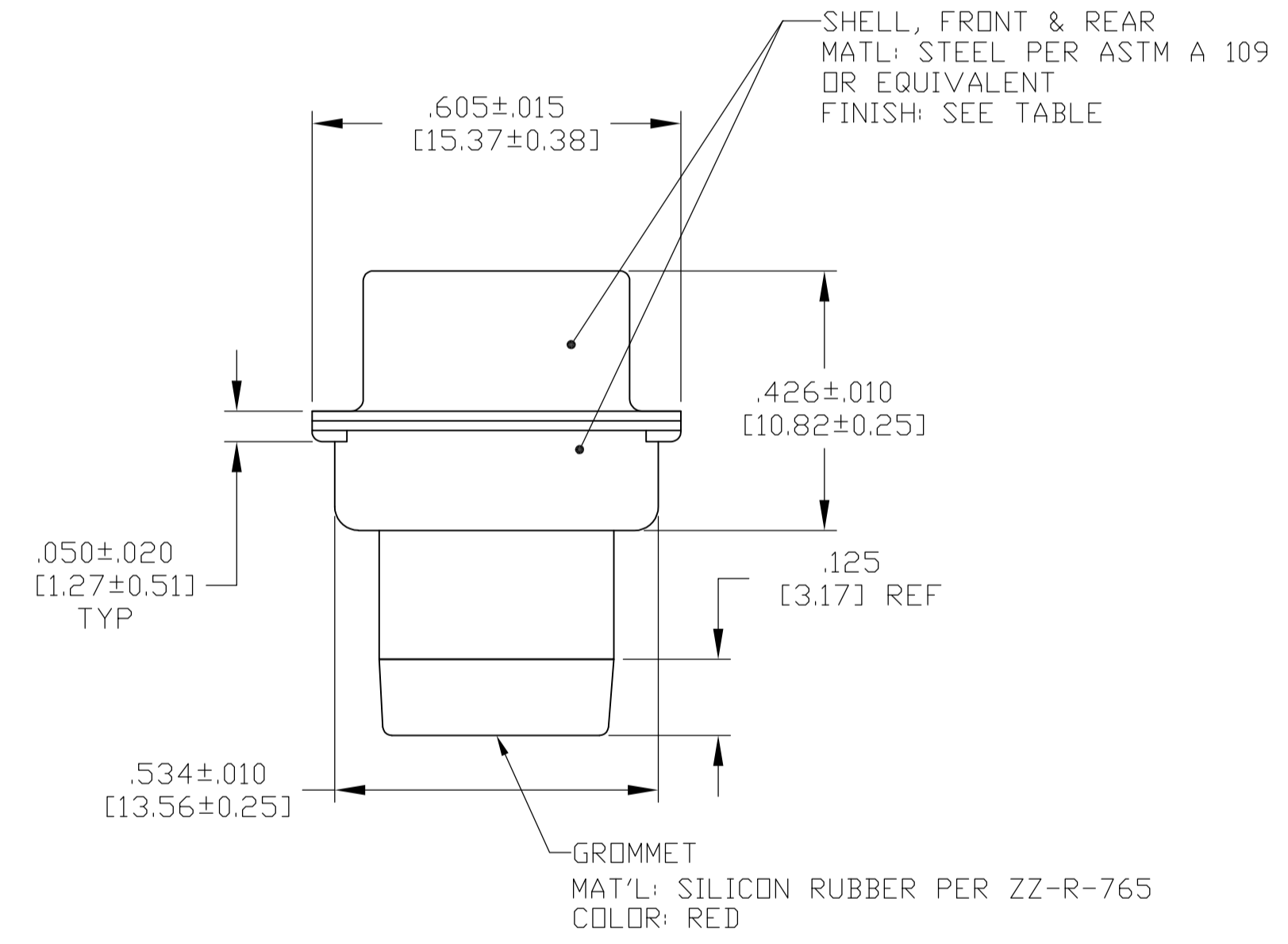
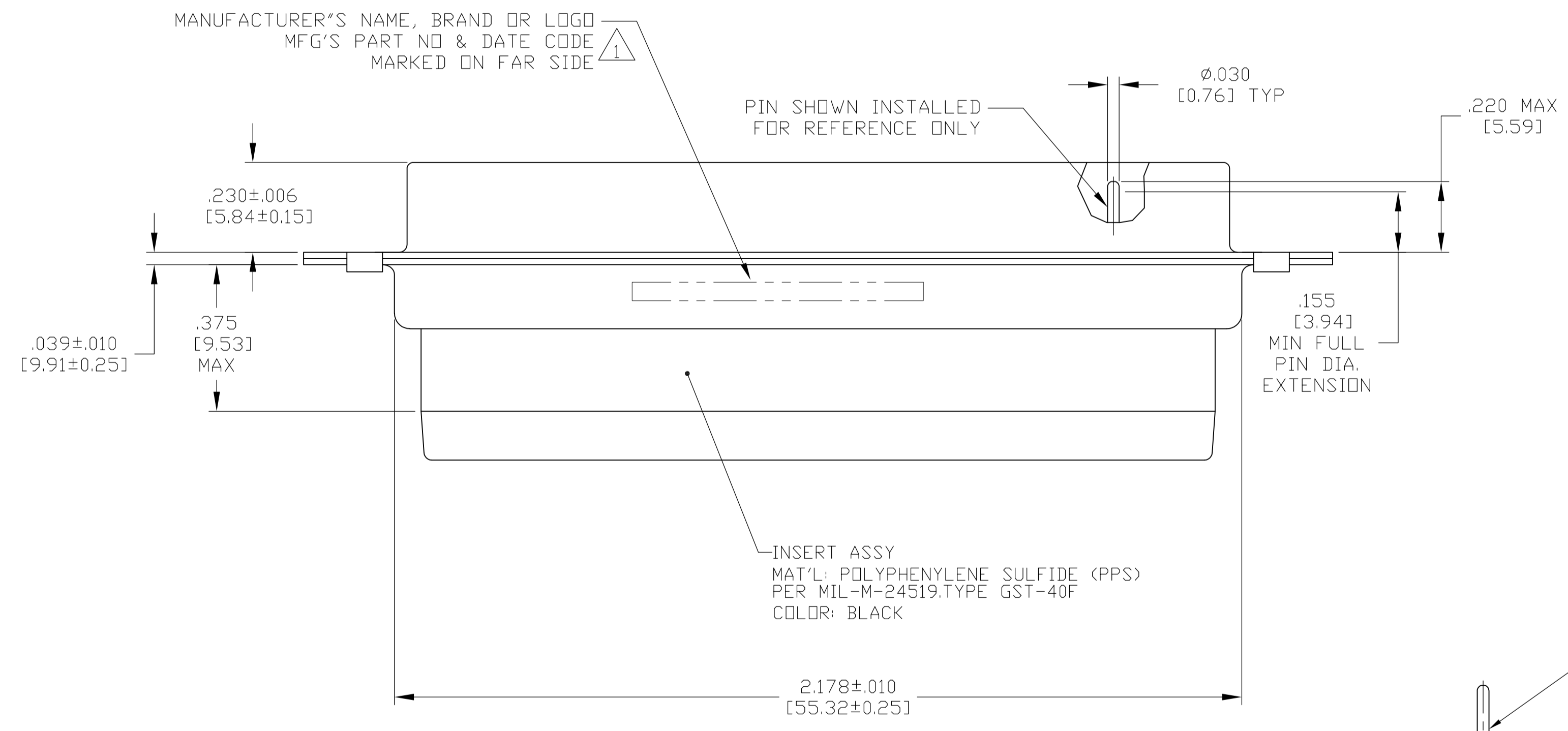


REVOLUTIONS		DATE	BY	APP'D
NO.	DESCRIPTION			
1	REV PER ECO-10-013916	06JUL10	PY	RL



1. MARKED WITH .047 [1.19] HIGH CHARACTERS. FAR SIDE REFERS TO WIDE SIDE OF KEYSTONE, NEAR SIDE REFERS TO NARROW SIDE OF KEYSTONE.
2. THIS ASSEMBLY IS DESIGNED TO CONFORM TO THE LATEST ISSUE OF MIL-C-24308.
3. MAXIMUM WIRE INSULATION USED WITH THIS CONNECTOR IS .054 [1.37] DIAMETER WITH GROMMET
4. METAL RETENTION CLIPS ARE INCLUDED IN INSERTS.
5. THIS PLUG WILL MATE WITH ANY RECEPTACLE CONNECTOR WITH THE SAME INSERT ARRANGEMENT.
6. CONTACTS ARE PACKAGED SEPARATELY AND SHIPPED WITH CONNECTOR. 2101497-2 & -4 ONLY.
7. UL/CSA DESIGNATION STAMPED IN THIS AREA.
8. FOR CONNECTOR ASSEMBLIES WITH OUT CONTACTS, TE PART NO. 204370-2, MUST BE ORDERED SEPARATELY.
9. FOR CONTACT CRIMPING AND CONTACT INSTALLATION AND REMOVAL REFER TO TE I.S. 408-7516.
10. SHELL FINISH: BRIGHT TIN .00400-.000550 THK PER ASTM-B-545 OVER COPPER .000050 MIN THK PER AMS 2148
11. SHELL FINISH: CADMIUM .00300-.000600 THK PER QQ-P-416 OVER COPPER .000050 MIN THK PER AMS 2148
12. EPOXY IS APPLIED BETWEEN FRONT & REAR SHELLS AND INSERT.
13. GROUNDING INDENTS ON FRONT SHELL (NOT SHOWN)



REMARKS	SHELL FINISH	PIN CONTACTS INCLUDED	INTERFACIAL SEAL INCLUDED	PART NO.
PRELIMINARY	--	78 6	1	2101497-5
PRELIMINARY	--	78 6	1	2101497-4
PRELIMINARY	--	78 6	1	2101497-3
PRELIMINARY	--	78 6	1	2101497-2
PRELIMINARY	--	--	1	2101497-1

THIS DRAWING IS A CONTROLLED DOCUMENT.

DIMENSIONS: INCHES [mm]	TOLERANCES UNLESS OTHERWISE SPECIFIED:	0 PLC ± -	1 PLC ± -	2 PLC ± -	3 PLC ± .005 [0.13]	4 PLC ± -	ANGLES ± 1°
-------------------------	--	-----------	-----------	-----------	---------------------	-----------	-------------

MATERIAL: SEE CALLOUTS FINISH: SEE CALLOUTS

APPROVED: C.C. THOMAS 3-6-10 CJK 3-6-10 RELEASE 3-6-10

NAME: Tyco Electronics Corporation, Harrisburg, PA 17105-3608

PRODUCT SPEC: PLUG ASSY, SIZE 5, 78 POSN., SERIES 90, AMPLIMITE WITH IF SEAL AND GROMMET

SIZE: A1 CASE CODE: 00779 DRAWING NO: 2101497 RESTRICTED TO: --

WEIGHT: -- CUSTOMER DRAWING SCALE: 4:1 SHEET: 1 OF 1 REV: C