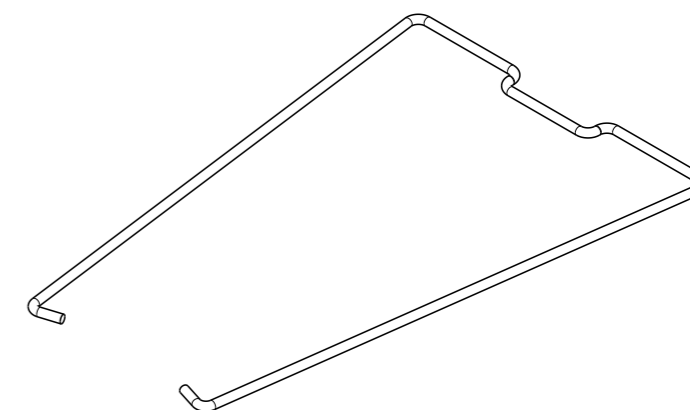
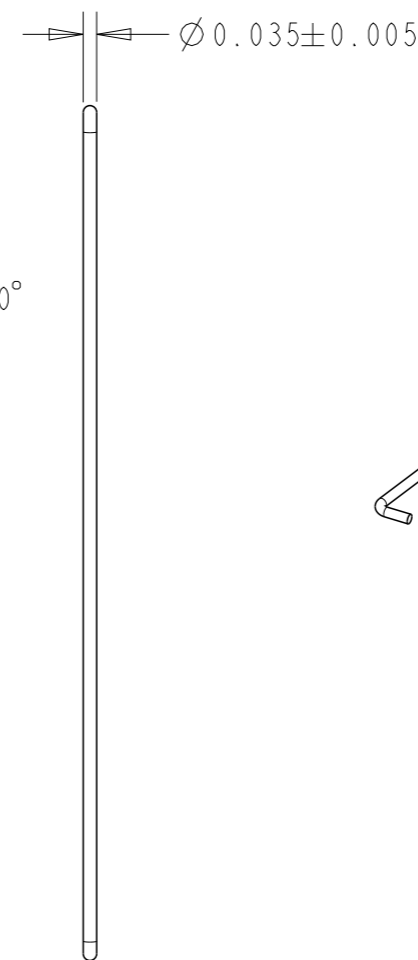
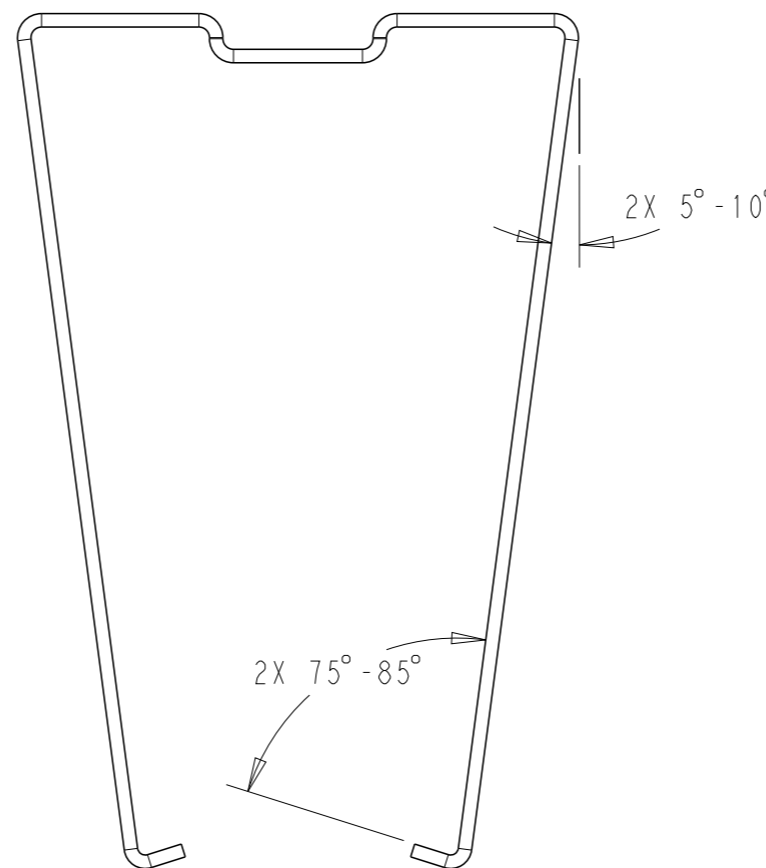
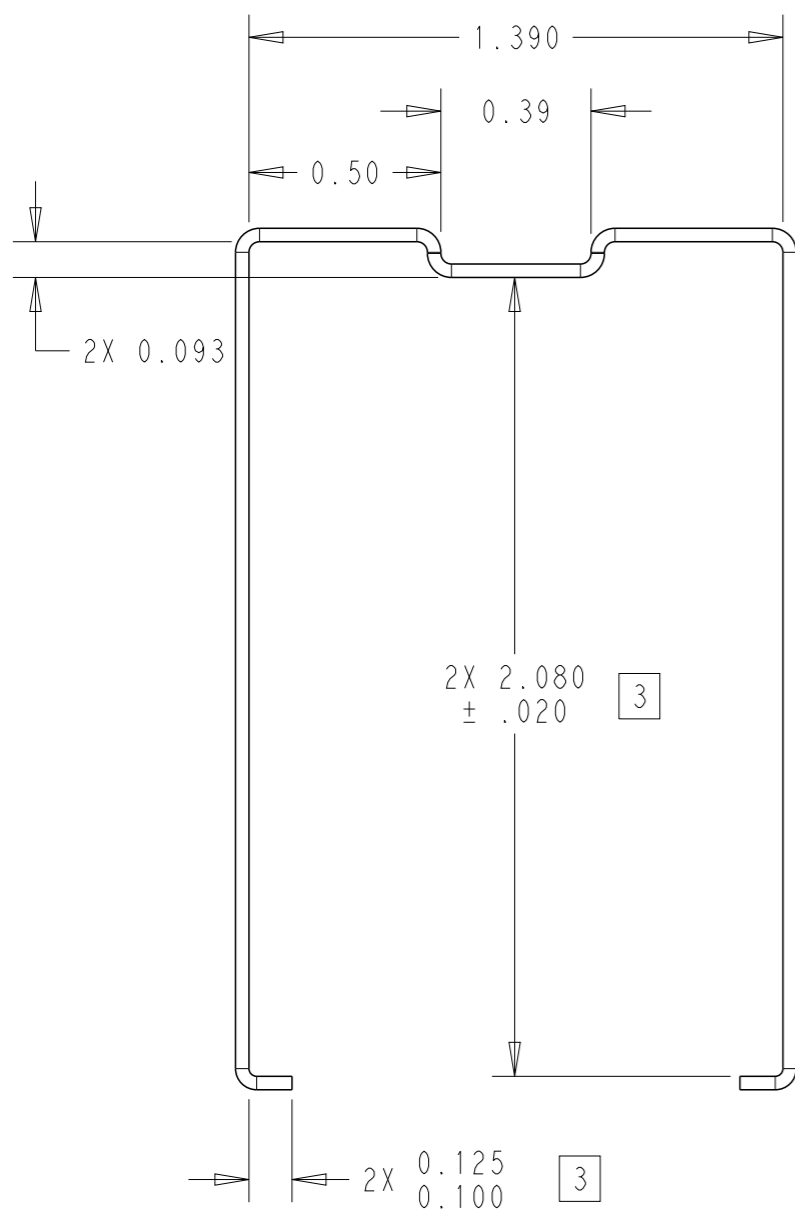


P	LTR	DESCRIPTION	DATE	DWN	APVD
	A	ECN-23-234634	11OCT2023	IS	RJ



SCALE 3:2

NOTES:

1. MATERIAL: STAINLESS STEEL, TYPE 302, SPRING TEMPER.
2. FINISH: VAPOR DEGREASE.
- [3] DIMENSION BEFORE BENDING.

TE PART NO: 3-1393159-9

THIS DRAWING IS A CONTROLLED DOCUMENT.		DWN I. SALAZAR 11OCT2023															
DIMENSIONS: INCHES		CHK R. JIMENEZ 11OCT2023															
TOLERANCES UNLESS OTHERWISE SPECIFIED:		APVD R. JIMENEZ 11OCT2023	NAME HOLD DOWN SPRING KUP SOCKETS														
<table border="1"> <tr> <td>0 PLC</td> <td>±-</td> </tr> <tr> <td>1 PLC</td> <td>±0.1</td> </tr> <tr> <td>2 PLC</td> <td>±0.01</td> </tr> <tr> <td>3 PLC</td> <td>±0.010</td> </tr> <tr> <td>4 PLC</td> <td>±-</td> </tr> <tr> <td>ANGLES</td> <td>±-</td> </tr> </table>		0 PLC	±-	1 PLC	±0.1	2 PLC	±0.01	3 PLC	±0.010	4 PLC	±-	ANGLES	±-	PRODUCT SPEC -	RESTRICTED TO -		
0 PLC	±-																
1 PLC	±0.1																
2 PLC	±0.01																
3 PLC	±0.010																
4 PLC	±-																
ANGLES	±-																
MATERIAL SEE NOTE 1		FINISH SEE NOTE 2	APPLICATION SPEC -	SIZE A3	CAGE CODE 00779												
-		-	WEIGHT -	DRAWING NO G-20C254	SCALE 2:1												
CUSTOMER DRAWING			SHEET 1 OF 1	REV A													