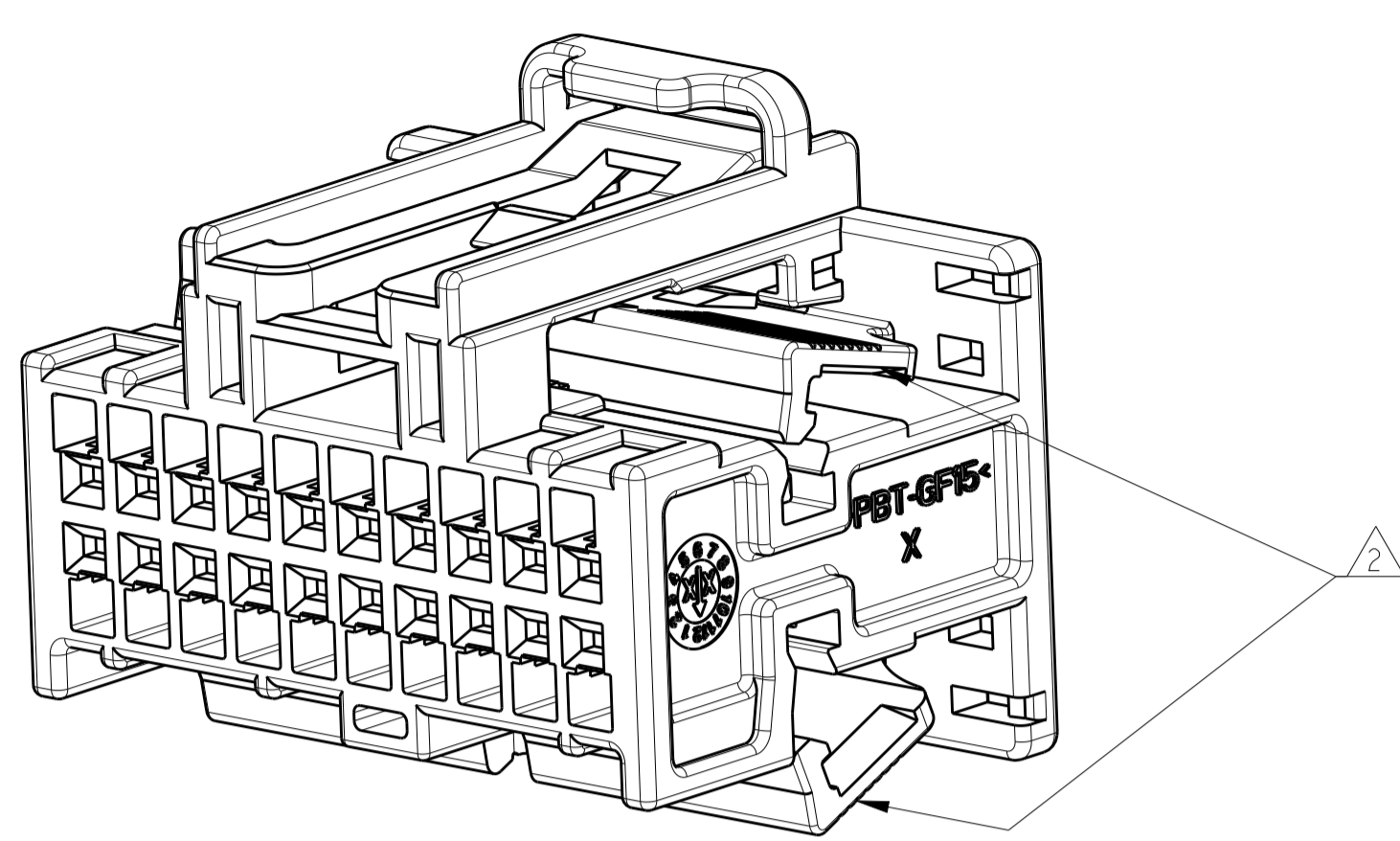
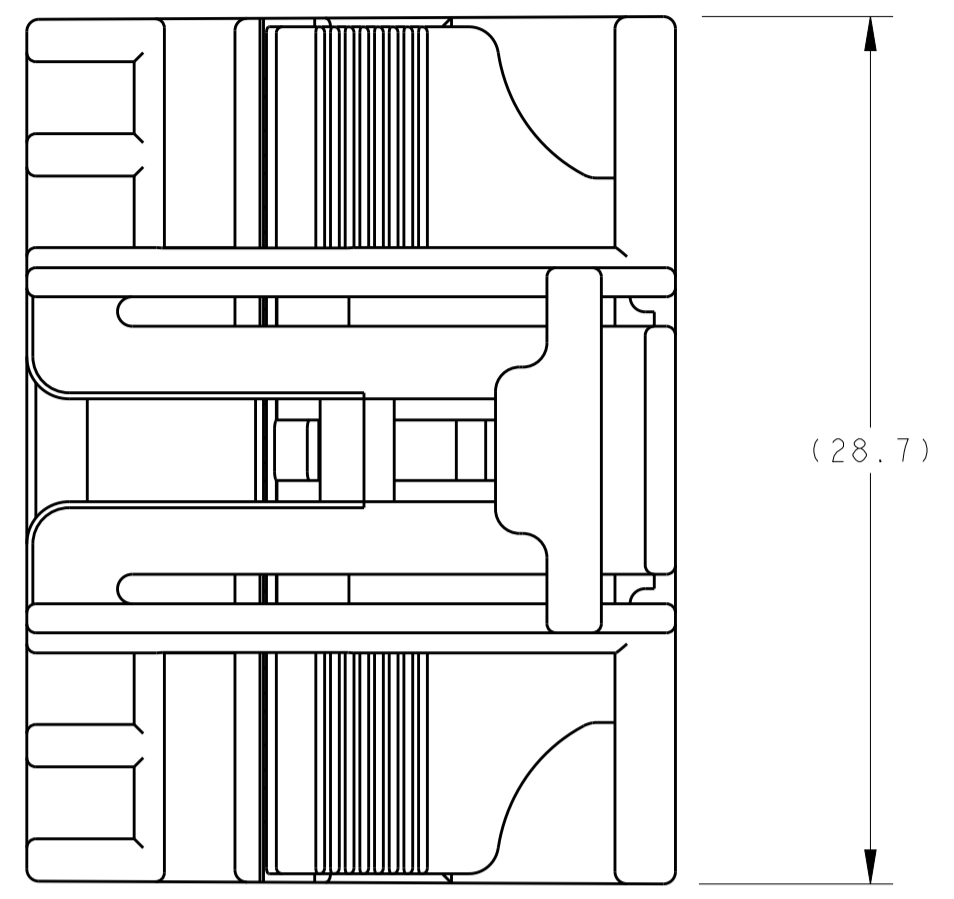


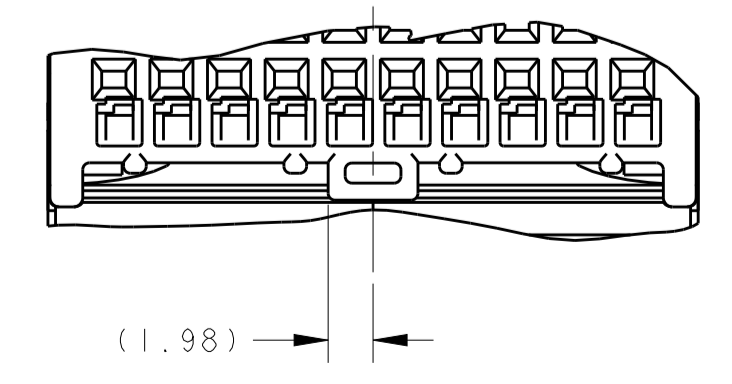
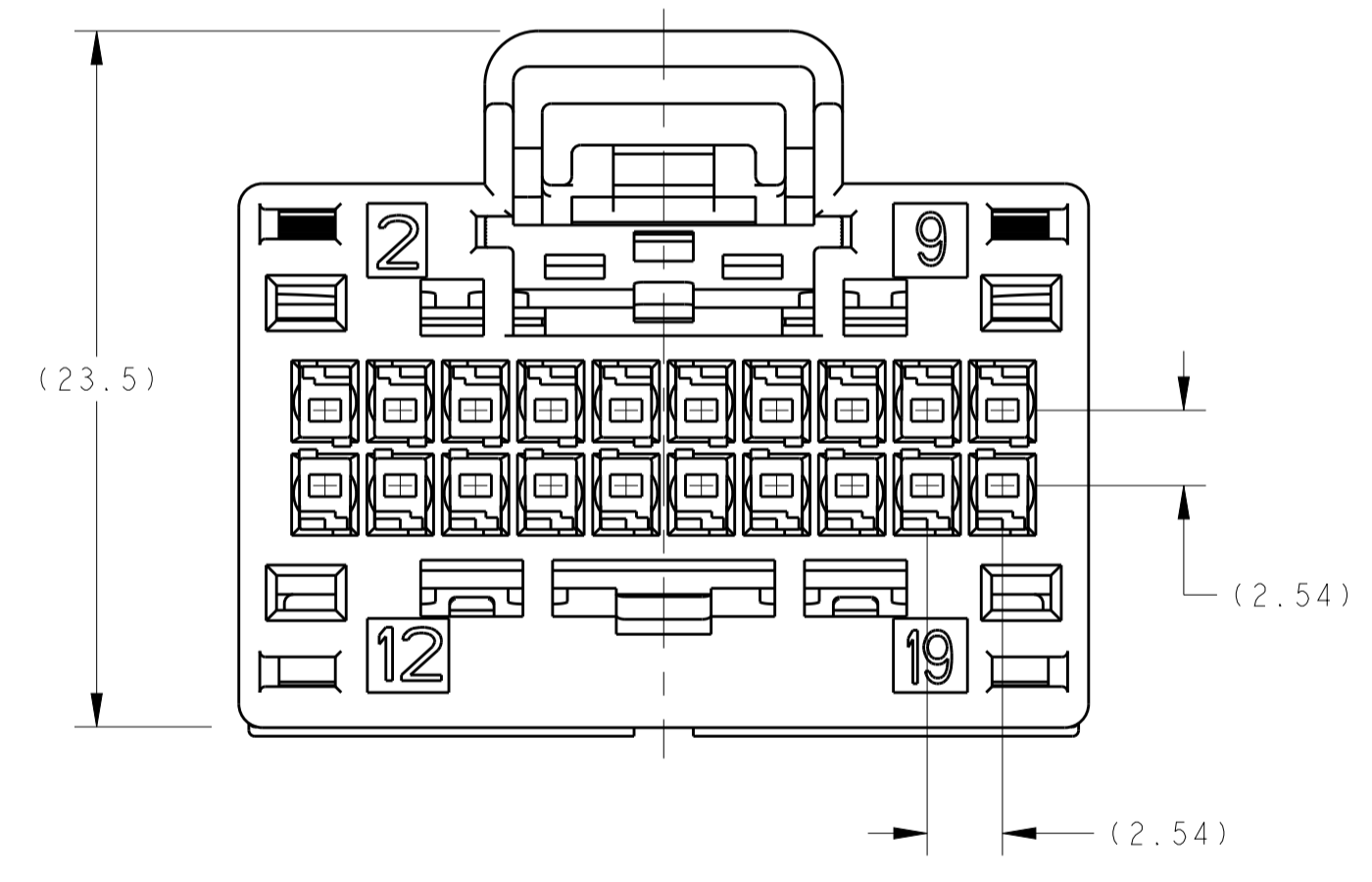
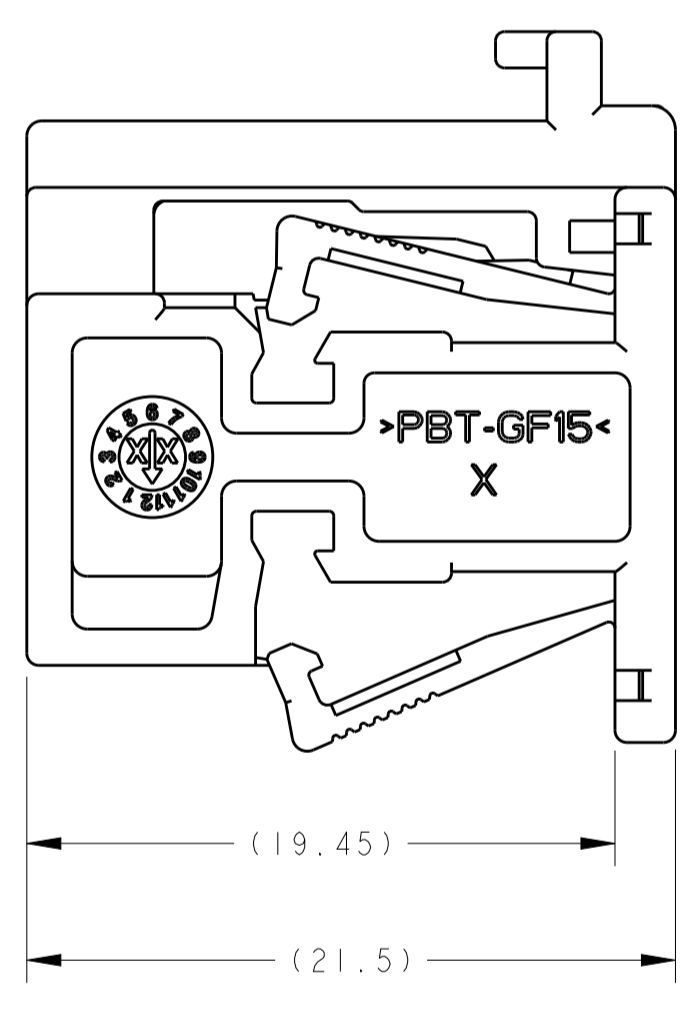
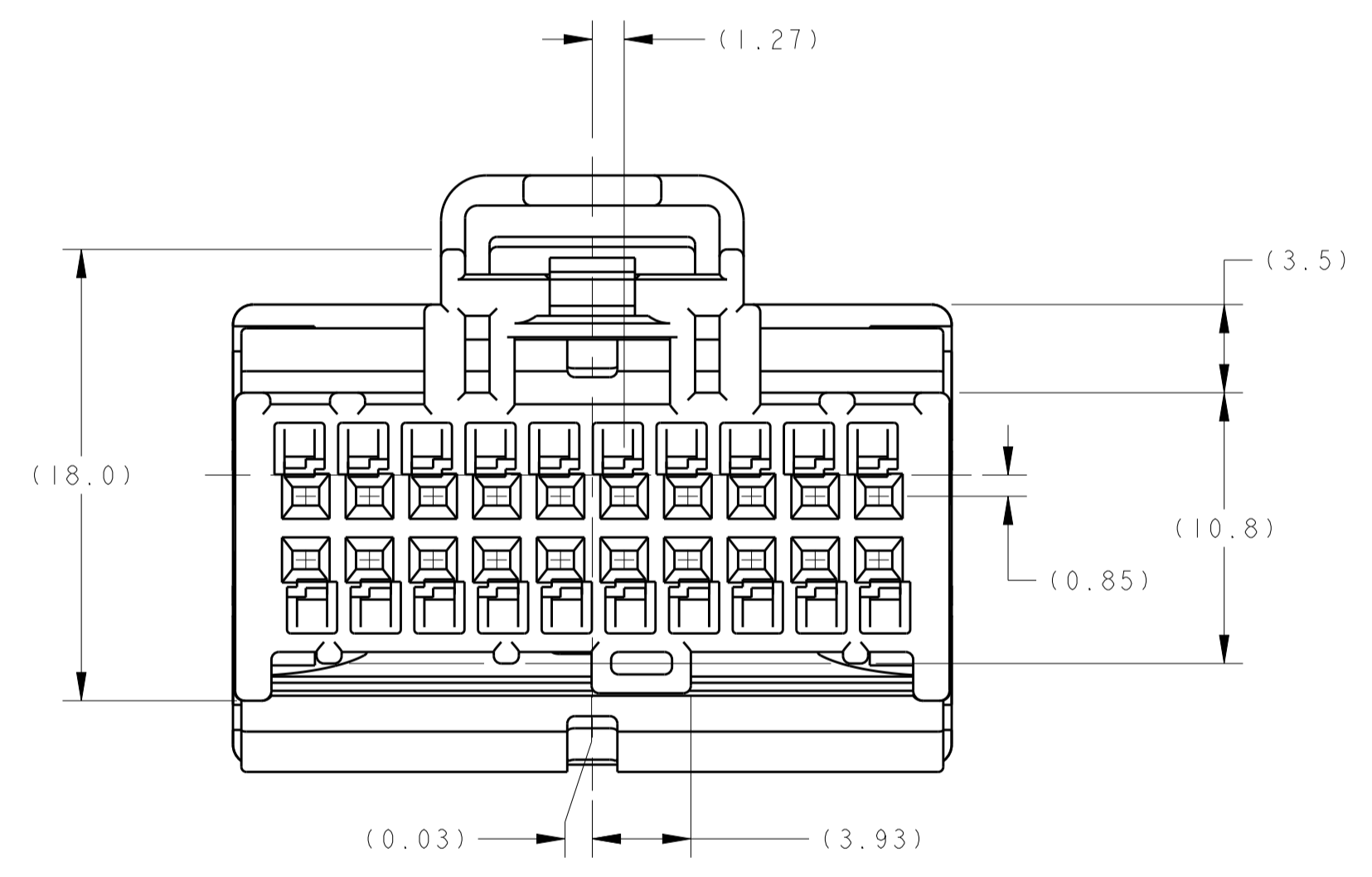
LOC	DIST	REVISIONS					
		P.	LTN	DESCRIPTION	DATE	DWN	APVD
1	N	00	A	RELEASED PER ECO-12-013995	31JUL2012	DLD	CJS



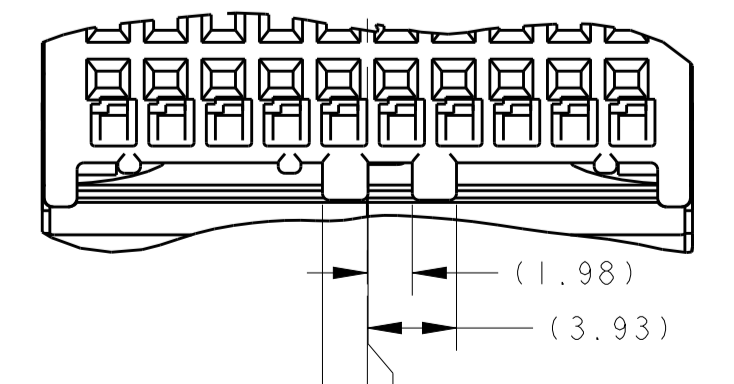
ISOMETRIC VIEW



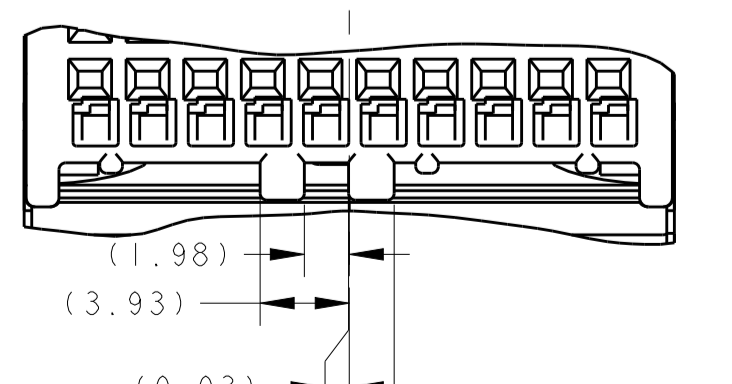
- ⚠ MATERIAL: PBT, 15% GF; COLOR: BLACK
- ⚠ HOUSING SHIPPED WITH SECONDARY LOCKS IN PRE-LOCK POSITIONS AS SHOWN. SECONDARY LOCKS MAY CLOSE INADVERTENTLY DURING SHIPPING. IF THIS OCCURS, RELOCATE SECONDARY LOCKS TO OPEN POSITION PRIOR TO INSERTION OF TERMINALS.
- ⚠ 2098904-1 SHOWN.
- 4. CONFORMS TO USCAR-2, REVISION 5 WITH THE FOLLOWING EXCEPTIONS:
PRIMARY LOCK RETENTION = 25 N MEAN
- 5. CONFORMS TO GMW3191, REVISION DECEMBER 2007 WITH THE FOLLOWING EXCEPTIONS:
PRIMARY LOCK RETENTION = 25 N MEAN
SECONDARY LOCK FORCE : PRE-SET TO LOCK = 60 N MAX
- 6. APPLICABLE TERMINAL PART NUMBER 2098762. SEE DRAWING FOR TERMINAL OPTIONS.



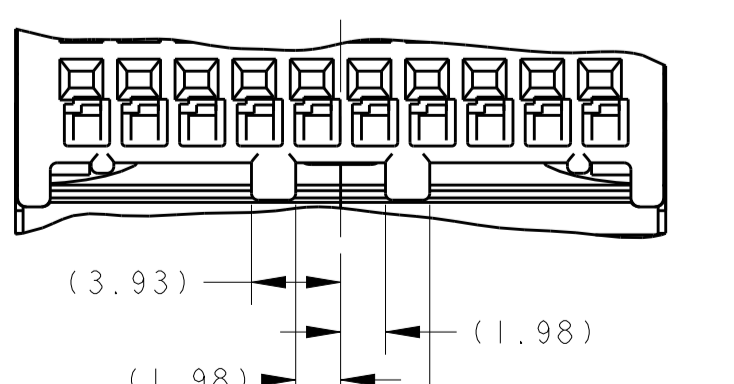
2098904-2
SCALE 3:1



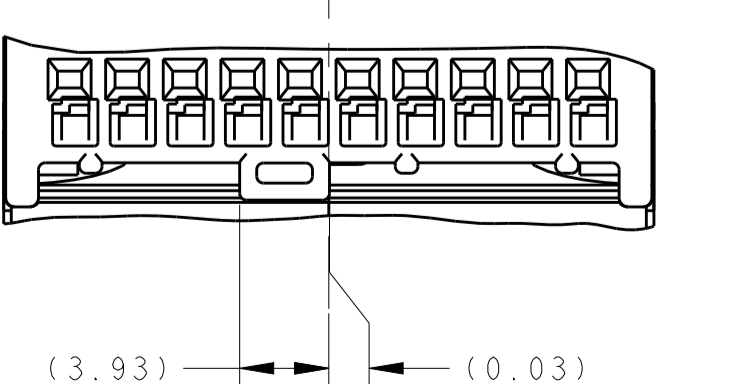
2098904-3
SCALE 3:1



2098904-4
SCALE 3:1



2098904-5
SCALE 3:1



2098904-6
SCALE 3:1

OPTION F	2098904-6
OPTION E	2098904-5
OPTION D	2098904-4
OPTION C	2098904-3
OPTION B	2098904-2
OPTION A	2098904-1
USCAR KEYING OPTION	PART NUMBER

THIS DRAWING IS A CONTROLLED DOCUMENT.

DIMENSIONS:	TOLERANCES UNLESS OTHERWISE SPECIFIED:	DWN MD BROWN 31JAN2012	31JAN2012
mm	0 PLC ±0.3	CHK MD BROWN 31JAN2012	31JAN2012
	1 PLC ±0.3	APVD MD BROWN 31JAN2012	31JAN2012
	2 PLC ±1.0	PRODUCT SPEC	
	3 PLC ±	APPLICATION SPEC	
	4 PLC ±	408-32069	
	ANGLES ±1°	WEIGHT	
MATERIAL	FINISH	Customer Drawing	

NAME: PLUG HOUSING, 2 X 10, UNSEALED, 0.64, GENERATION Y
USCAR

SIZE: A1 CAGE CODE: 2098904 DRAWING NO: 100779

RESTRICTED TO: -

SCALE: 4:1 SHEET: 1 OF 1 REV: A