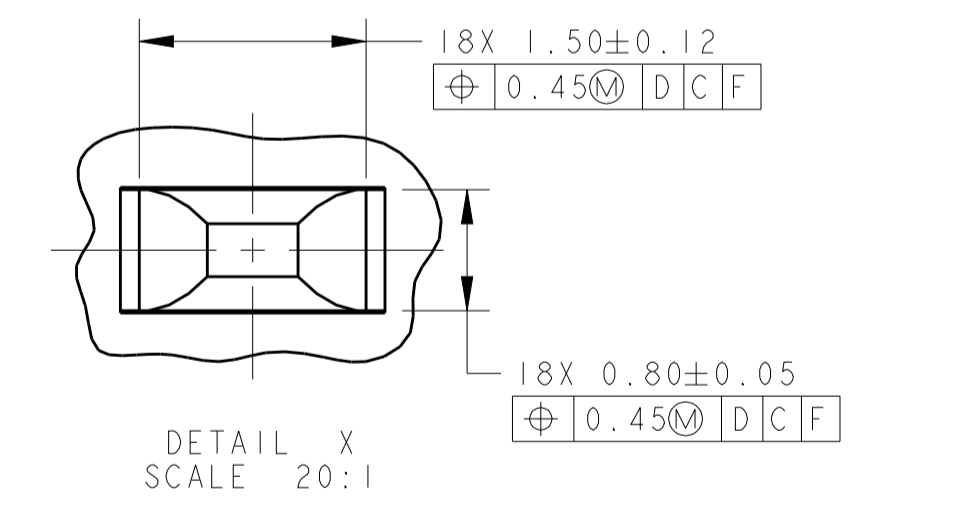
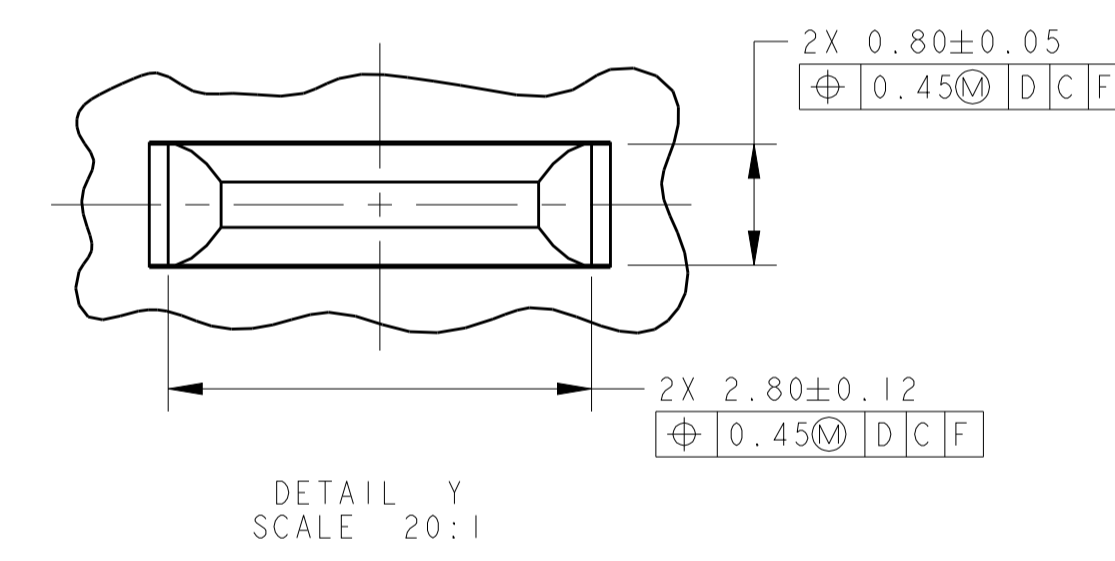
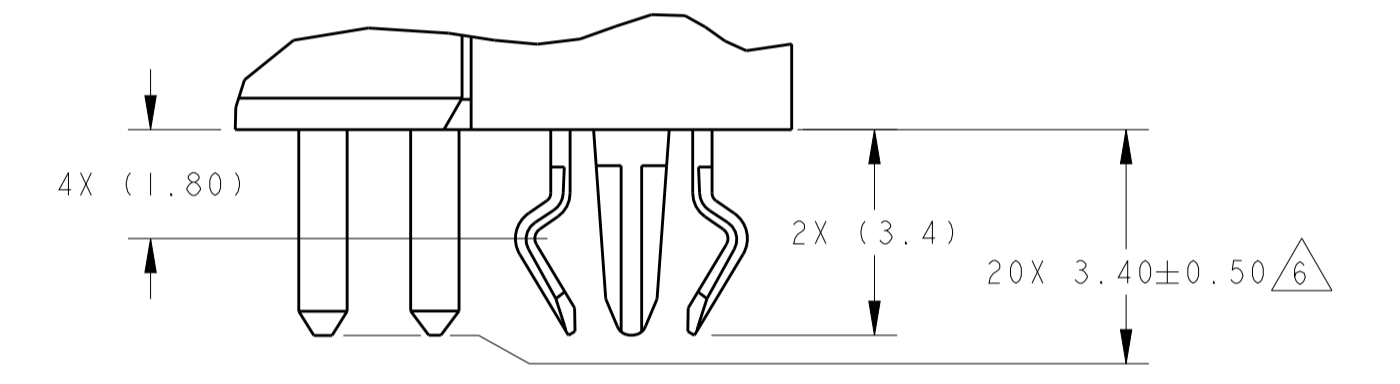
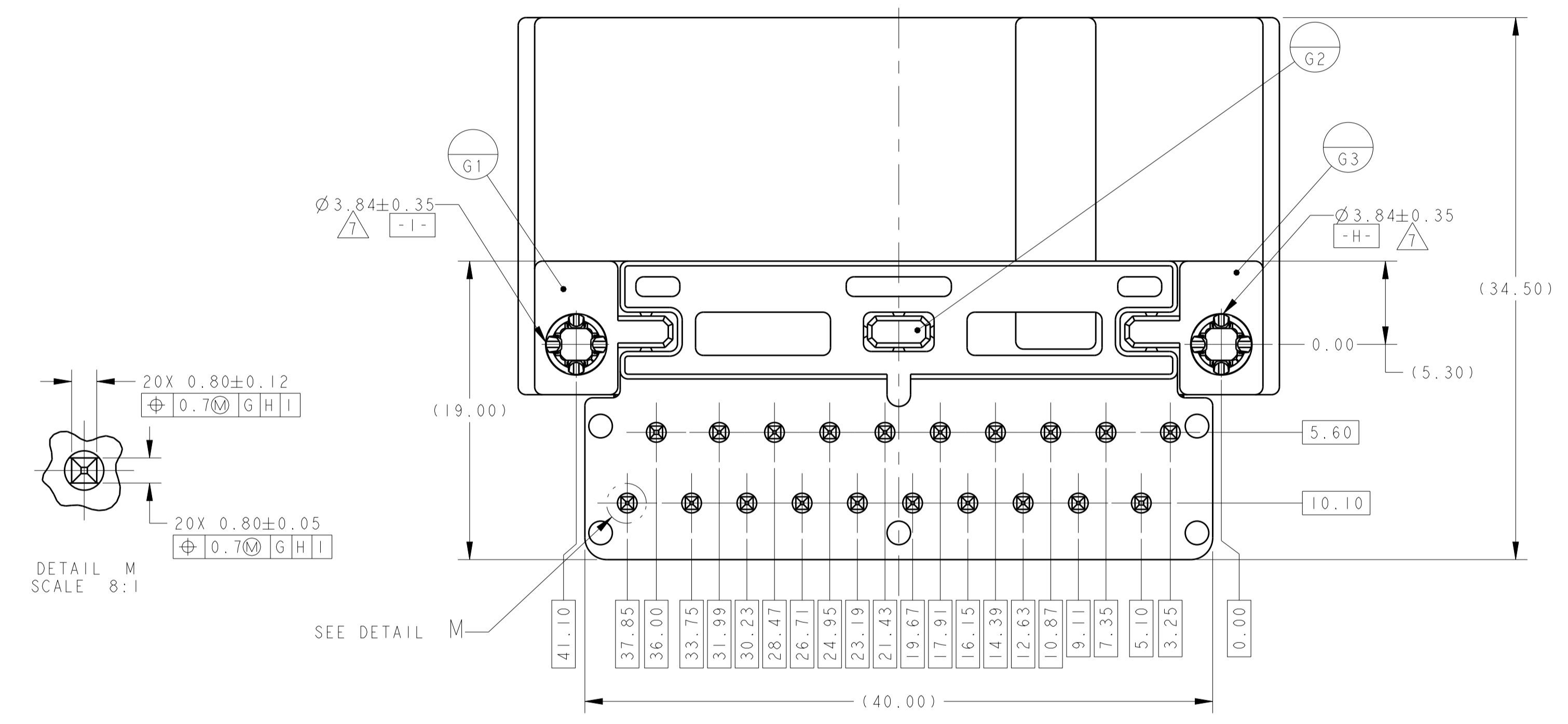
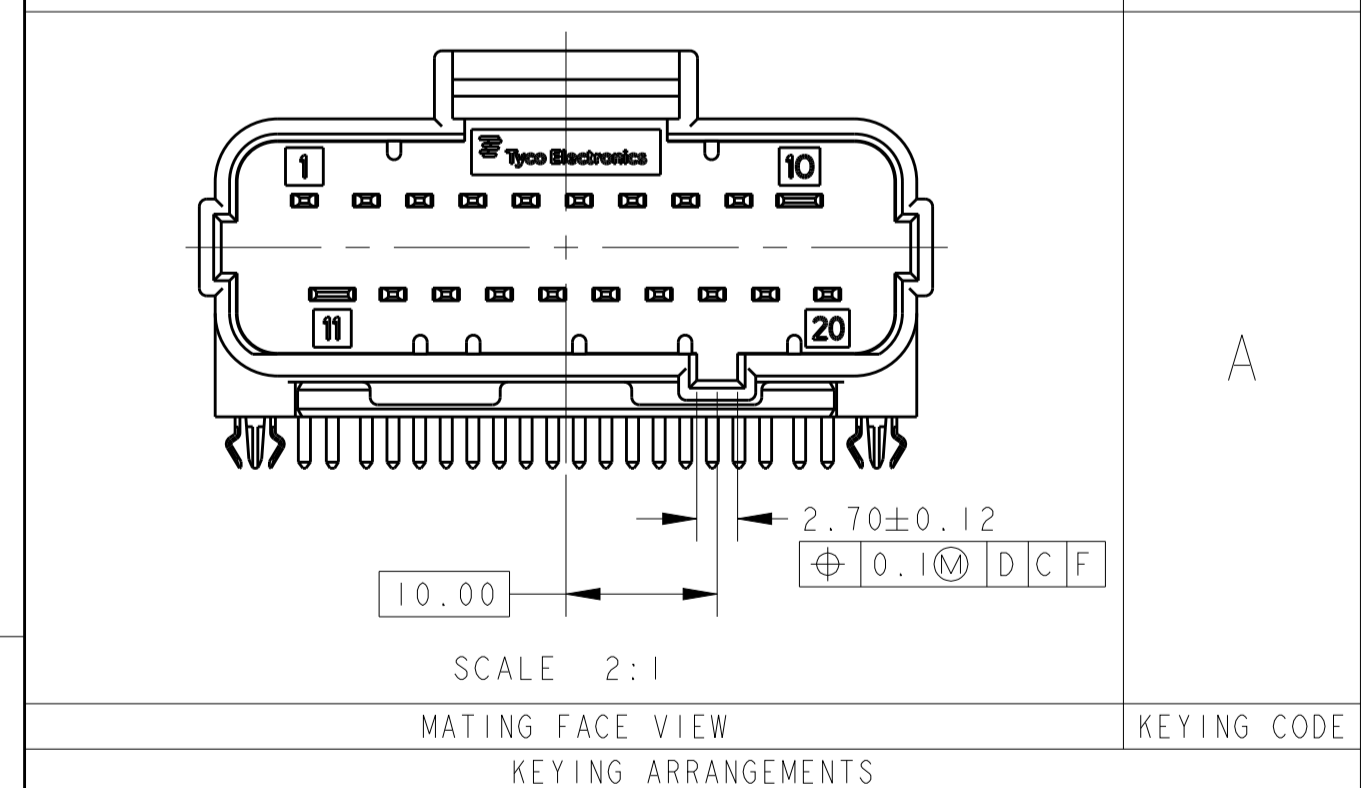
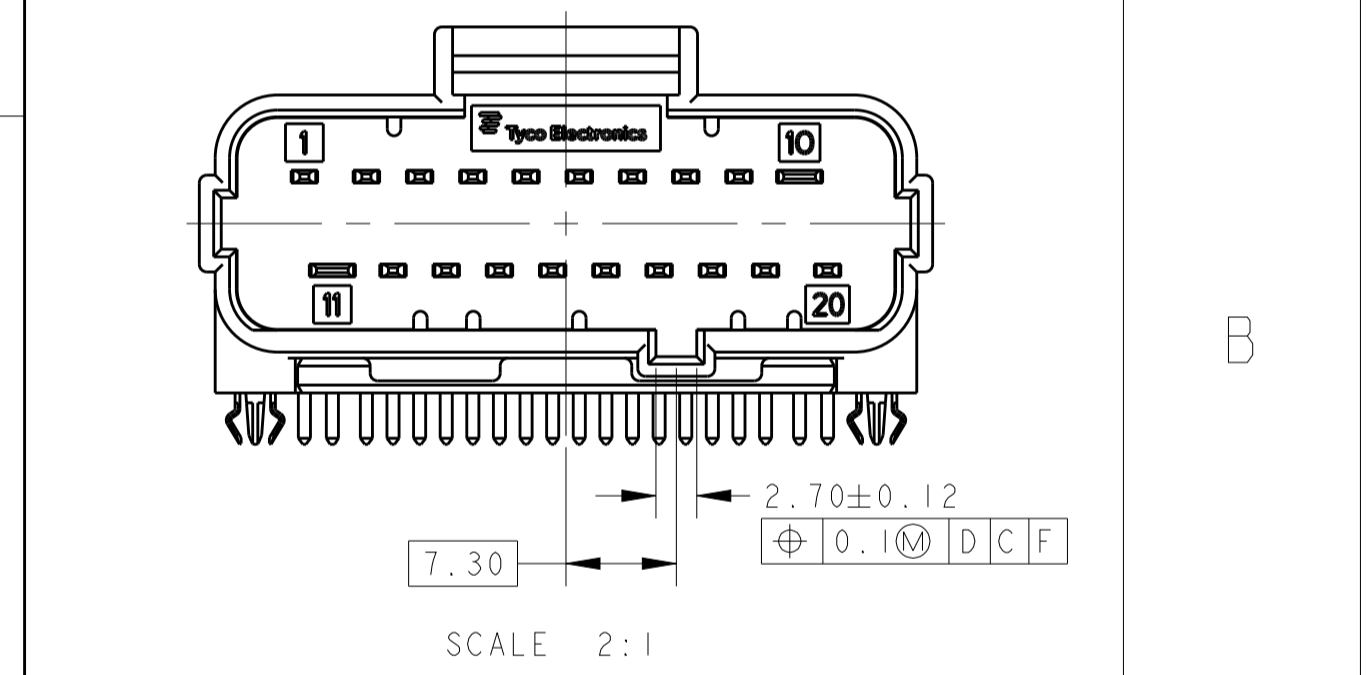
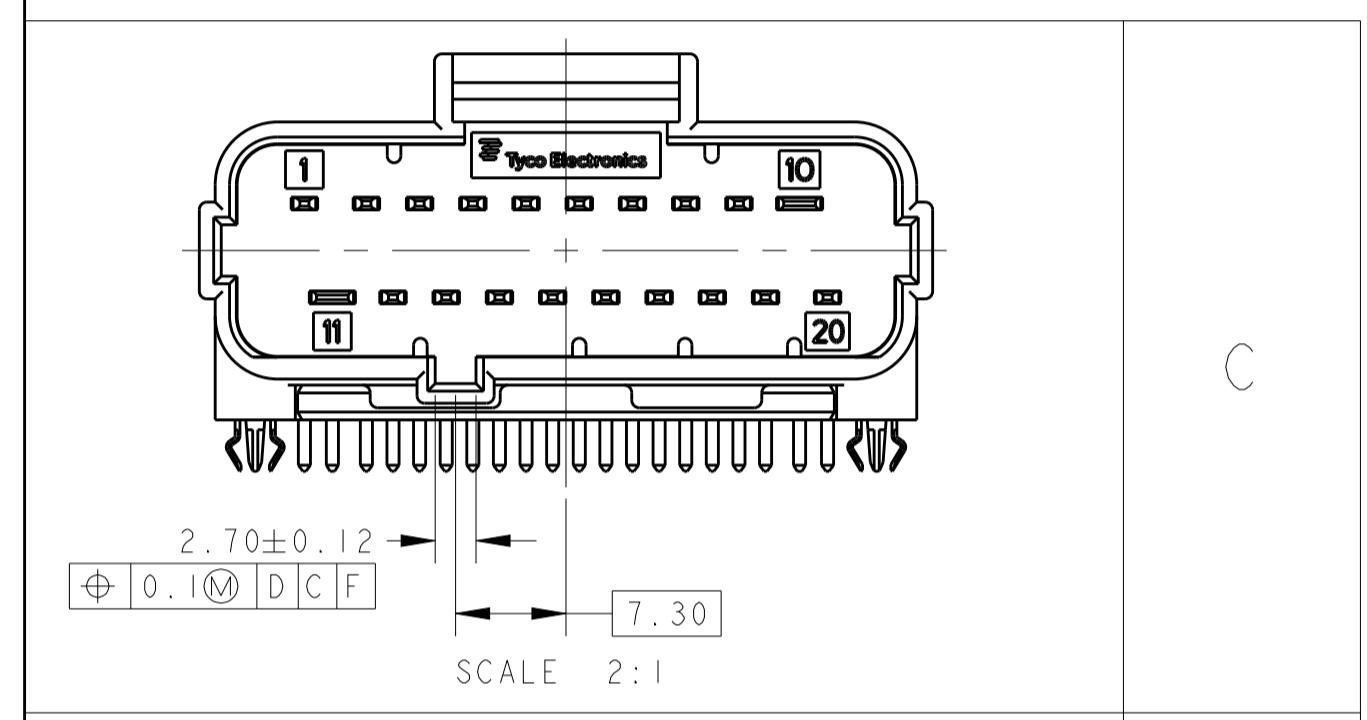
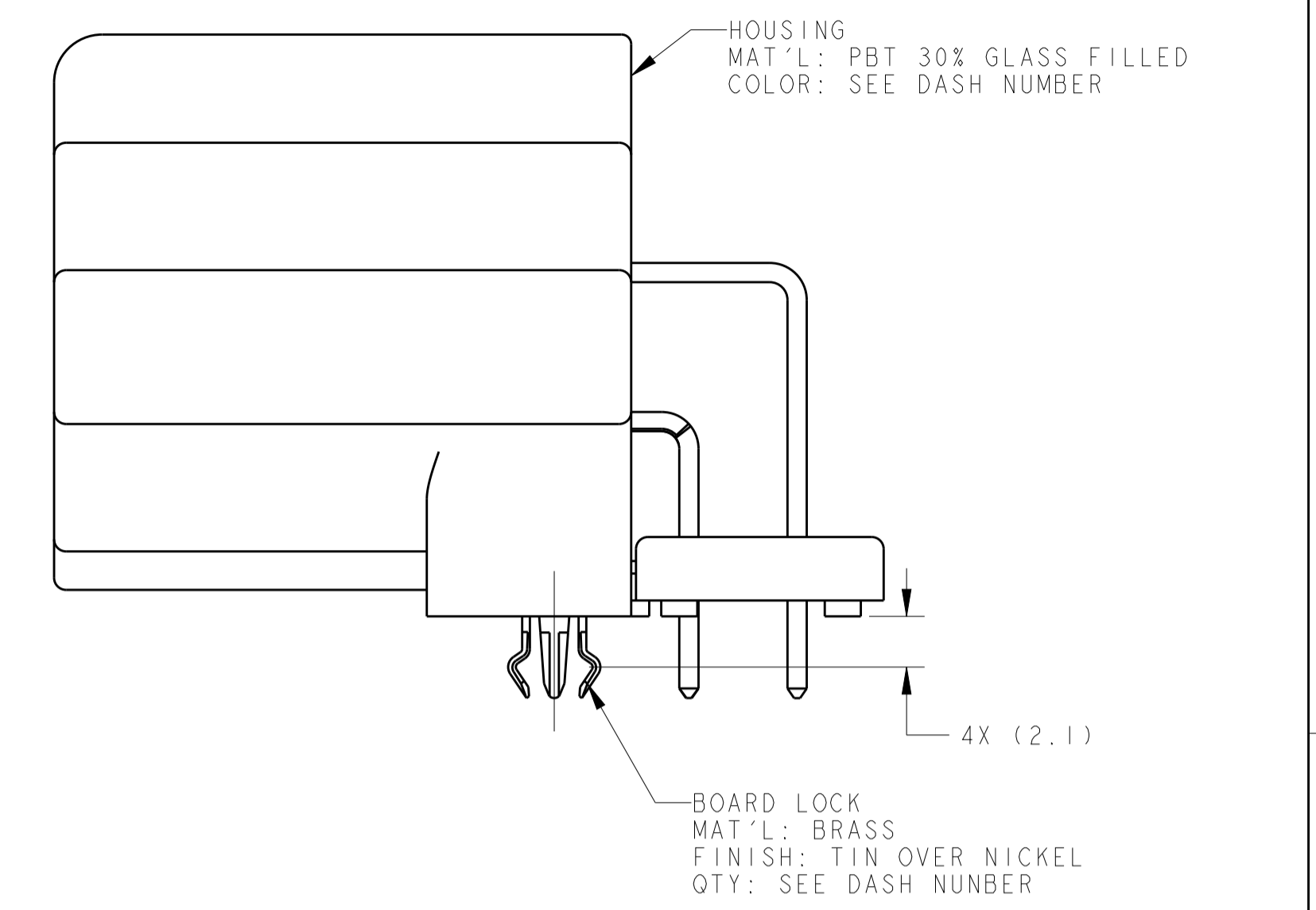
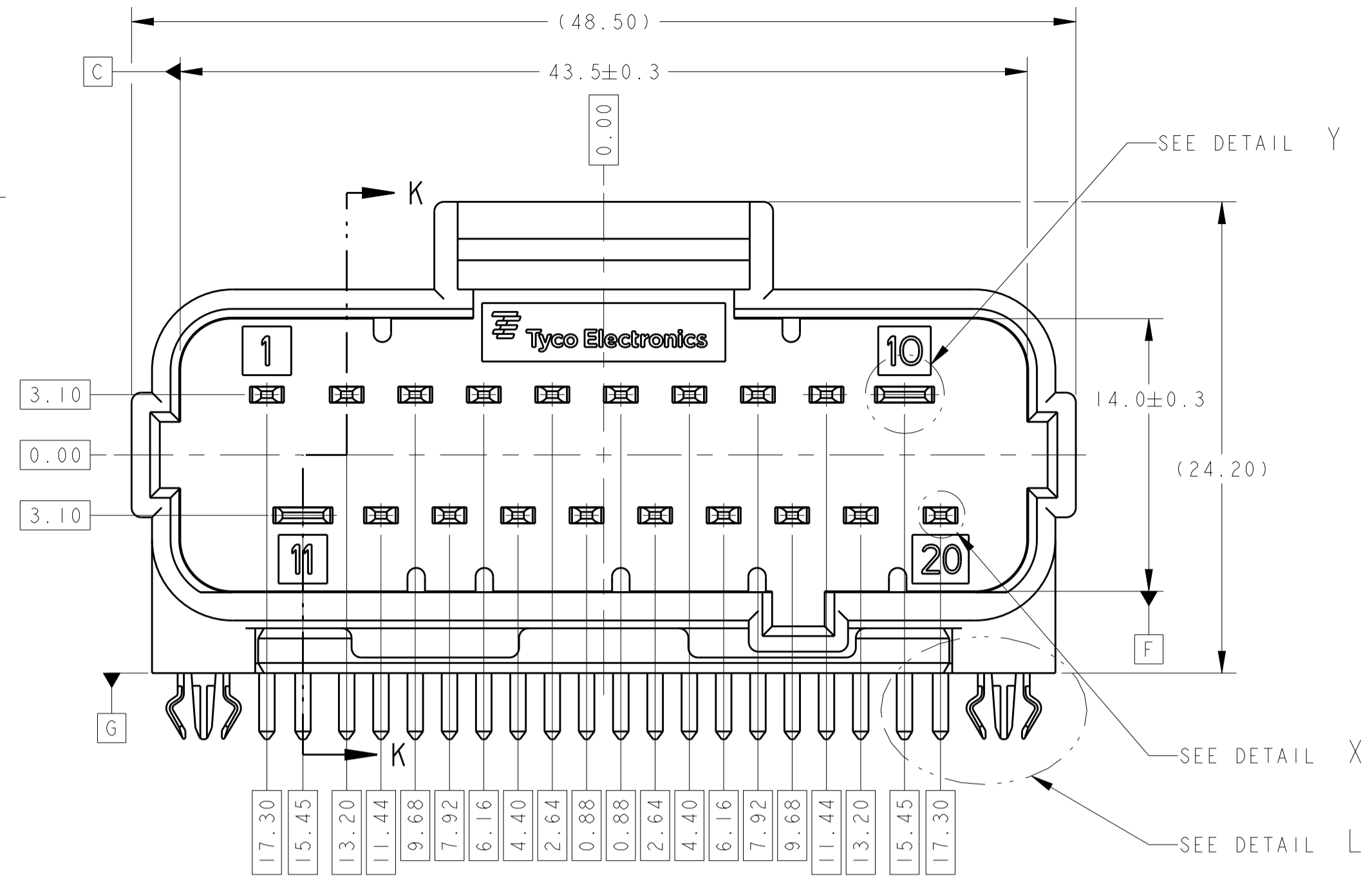
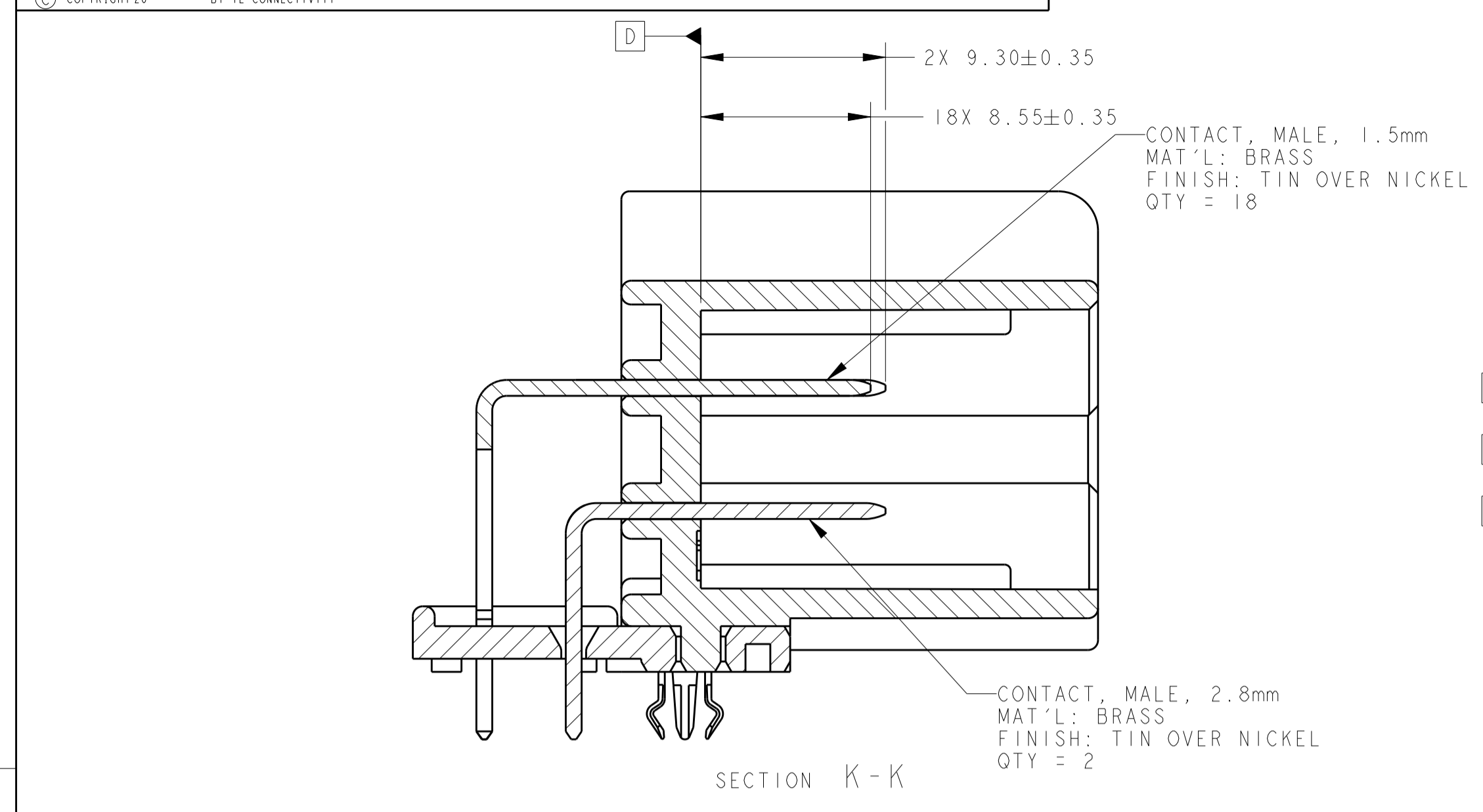


REVISIONS				
P.	LTN.	DESCRIPTION	DATE	OWN APVD
A5		REVISED PER ECR-12-015385	28AUG2012	SR BB
A6		REVISED PER ECO-14-003725	12MAR2014	DLD SLM



- 2 BOARD LOCKS SUPPLIED LOCATED AS SHOWN.
- THIS HEADER MATES WITH TE CONNECTIVITY PLUG, DRAWING NUMBER 2098377.
- NOTE DELETED.
- DRILLED HOLE DIA, PLUS 0.051±0.025 COPPER PLATING (MAX HARDNESS 150 KNOOP), PLUS 0.0008 MIN TIN PLATING = (1.52±0.05) FINISHED HOLE DIA.
- TEST VALUES DURING 2012 RELEASE OUTSIDE USCAR-2 Rev5 REQUIREMENTS  
A.) POLARIZATION FEATURE EFFECTIVENESS (FEMALE CONNECTOR UN-LOADED)  
-HEADER A TO PLUG B 99.92N Min  
-HEADER A TO PLUG C 33.63N Min  
-HEADER A TO PLUG A 180° INCORRECT ORIENTATION 158.84N MIN  
B.) CONNECTOR TO CONNECTOR MATING FORCE MAX=88.2N, MIN=73.2N, AVE=79.9N  
C.) CONNECTOR TO CONNECTOR UN-MATING FORCE MAX=81.6N, MIN=73.2N, AVE=78.2N
- MEASURED FROM SOLDERTAIL TIP TO DATUM G.
- MEASURED FROM OUTER MOST DIAMETER OF METAL BOARD LOCK.

THIS DRAWING IS A CONTROLLED DOCUMENT.		DWN: J.R. SHUEY 02MAR2010		TE Connectivity	
DIMENSIONS: mm		TOLERANCES UNLESS OTHERWISE SPECIFIED:		NAME: HEADER ASSEMBLY, UNSEALED HYBRID (18) 1.5mm, (2) 2.8mm CONTACTS	
0 PLC ±		1 PLC ±0.20		PRODUCT SPEC: 108-32025	
2 PLC ±		3 PLC ±		APPLICATION SPEC:	
4 PLC ±		ANGLES ±		MATERIAL: SEE CALLOUT	
FINISH: SEE CALLOUT		WEIGHT: SEE CALLOUT		CUSTOMER DRAWING: A100779C=2098835	
SIZE: A100779C=2098835		RESTRICTED TO: -		SCALE: 4:1 SHEET 1 OF 1 REV: A6	