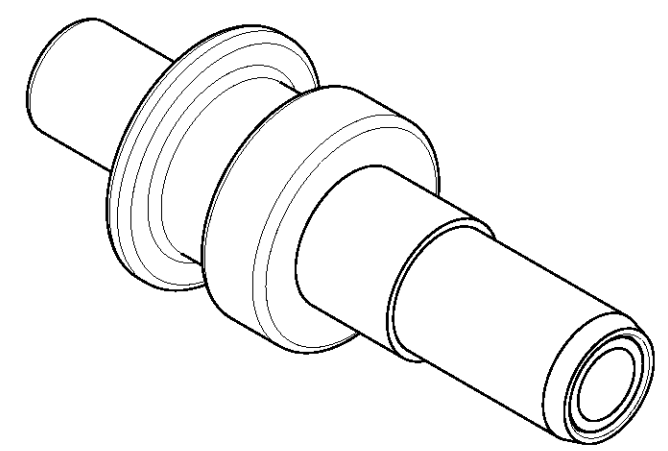
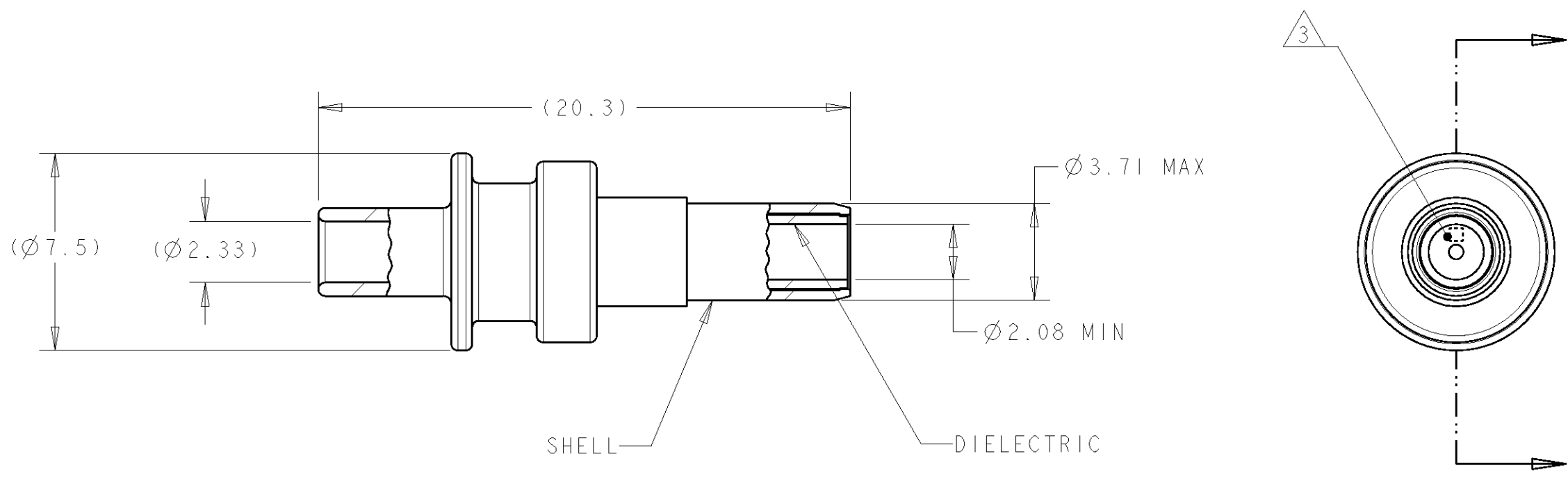


THIS DRAWING IS UNPUBLISHED. RELEASED FOR PUBLICATION 20
 © COPYRIGHT 20 BY TYCO ELECTRONICS CORPORATION. ALL RIGHTS RESERVED.

LOC	DIST	REVISIONS					
		P	LTR	DESCRIPTION	DATE	DWN	APVD
IN	00		A	RELEASED	03DEC2010	KP	LV

- ① SHELL: ZINC.
DIELECTRIC: POLYESTER PBT, CURRY.
- ② SHELL: 2.0µm MIN TIN OVER 1.25µm MIN NICKEL, BOTH OVER 5.08µm MIN COPPER.
- ③ JACK SUBASSEMBLY INTERFACE PER DIN 72594-1,
ROAD VEHICLES - RADIO FREQUENCY INTERFACE - DIMENSIONS AND ELECTRICAL REQUIREMENTS.
- 4. SEE INSTRUCTION SHEET 408-10028.
- 5. THIS PRODUCT HAS NOT COMPLETED VALIDATION TESTING.



ISOMETRIC VIEW

2098286-1
PART NUMBER

<small>THIS DRAWING IS A CONTROLLED DOCUMENT FOR TYCO ELECTRONICS CORPORATION. IT IS SUBJECT TO CHANGE AND THE CONTROLLING ENGINEERING ORGANIZATION SHOULD BE CONTACTED FOR THE LATEST REVISION.</small>		DWN K. PETERSON 15APR2009 CHK L. VARSIK APVD L. VARSIK PRODUCT SPEC - APPLICATION SPEC 114-13157 WEIGHT -		Tyco Electronics Tyco Electronics Harrisburg, PA 17105-3608	
DIMENSIONS: mm 		TOLERANCES UNLESS OTHERWISE SPECIFIED: 0 PLC ±- 1 PLC ±- 2 PLC ±- 3 PLC ±- 4 PLC ±- ANGLES ±-		NAME JACK SUBASSEMBLY, RTK031, FAKRA	
MATERIAL ①		FINISH ②		SIZE A3 CAGE CODE 00779 DRAWING NO C-2098286 RESTRICTED TO -	
CUSTOMER DRAWING				SCALE 5:1 SHEET 1 OF 1 REV A	