

THIS DRAWING IS UNPUBLISHED.

RELEASED FOR PUBLICATION

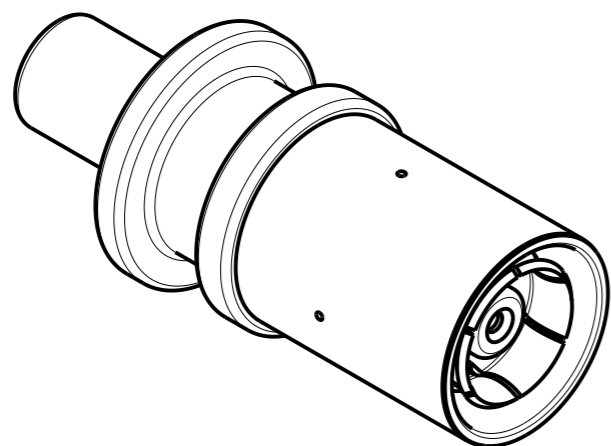
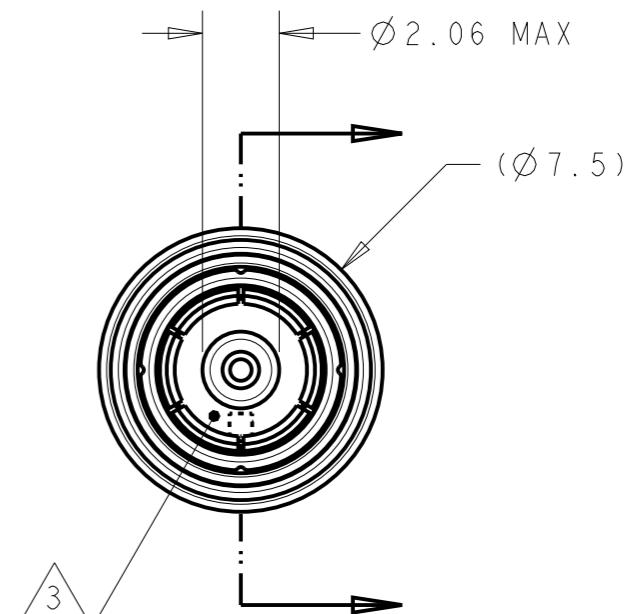
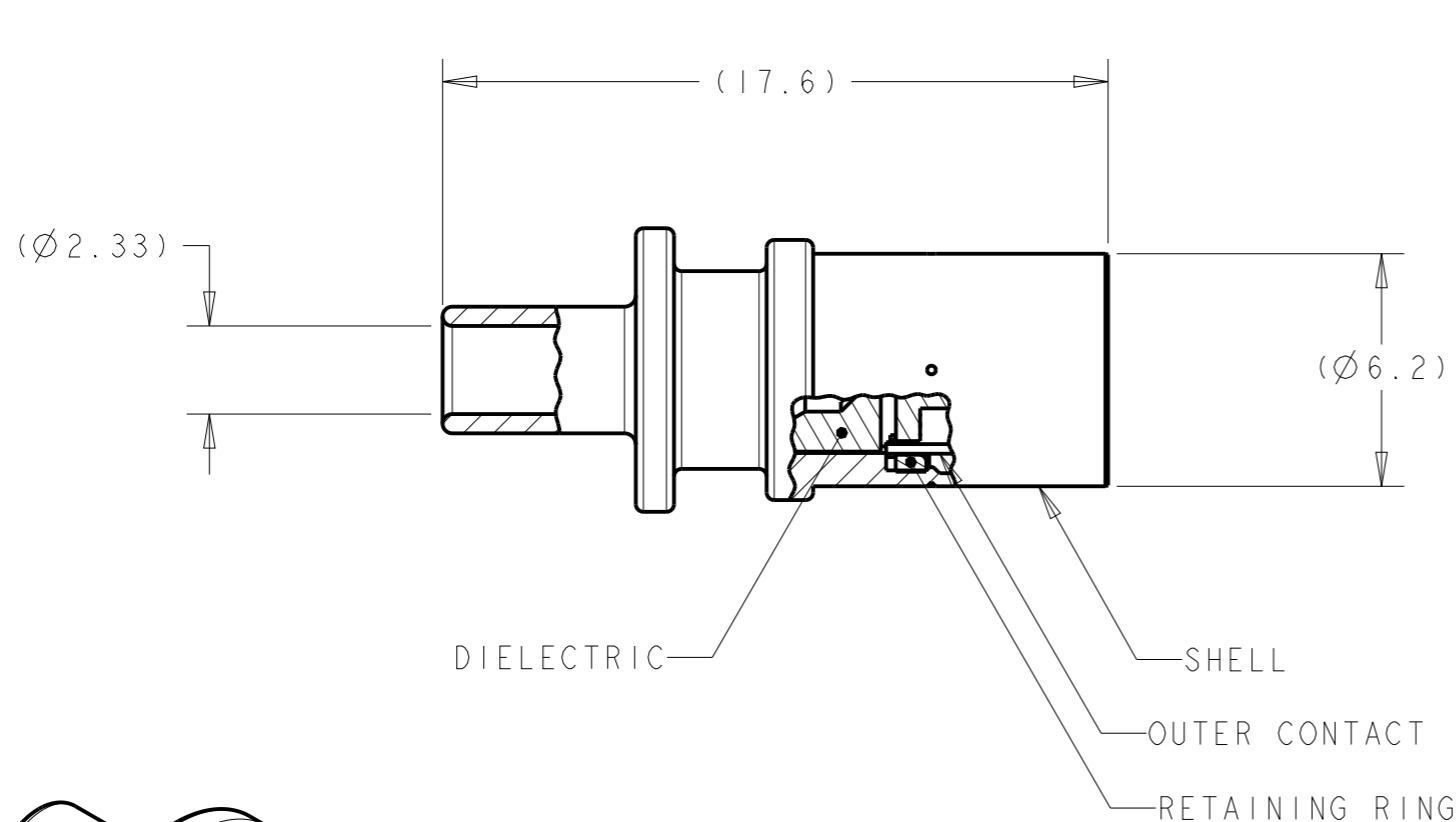
20

© COPYRIGHT 20 BY - ALL RIGHTS RESERVED.


REVISIONS

P	LTR	DESCRIPTION	DATE	DWN	APVD
	A1	ECO-14-019081	05JAN2015	KP	LV
	A2	REVISED PER ECO-21-005661	07MAY2021	CN	AP

- ① SHELL: ZINC.
OUTER CONTACT: COPPER.
RETAINING RING: BRASS.
DIELECTRIC: POLYESTER PBT, CURRY.
- ② SHELL: 2.0µm MIN TIN OVER 1.0µm MIN NICKEL, BOTH OVER 5.08µm MIN COPPER.
OUTER CONTACT: 3.75µm MIN TIN OVER 1.27µm MIN NICKEL.
RETAINING RING: 2.03µm MIN TIN OVER 1.27µm MIN NICKEL.
TRIM FLAT IS PERMISSIBLE AT PARTING LINES (0.15MM REF OVER ROOT DIAMETER).
- ③ PLUG SUBASSEMBLY ACCEPTS JACK SUBASSEMBLIES MEETING DIN 72594-1,
ROAD VEHICLES - RADIO FREQUENCY INTERFACE - DIMENSIONS AND ELECTRICAL REQUIREMENTS.
- 4. SUBASSEMBLY MAY BE BULK PACKED OR PACKED IN TRAYS.



2098285-1
PART NUMBER

THIS DRAWING IS A CONTROLLED DOCUMENT.		DWN K. PETERSON 15 APR 2009	 TE Connectivity	
DIMENSIONS: mm		CHK L. VARSIK		
TOLERANCES UNLESS OTHERWISE SPECIFIED:		APVD L. VARSIK	PRODUCT SPEC	
0 PLC ±- 1 PLC ±- 2 PLC ±- 3 PLC ±- 4 PLC ±- ANGLES ±-		APPLICATION SPEC 114-13157	SIZE A3	CAGE CODE 00779
MATERIAL ①	FINISH ②	WEIGHT -	DRAWING NO C-2098285	RESTRICTED TO
CUSTOMER DRAWING			SCALE 5:1	SHEET 1 OF 1
			REV A2	